



# JOSEF KIHBERG

## BATTERY- POWERED TOP STAPLER

**c.561B**  
**c.561B22**

**a.560B**  
**a.560B22**

Patent pending

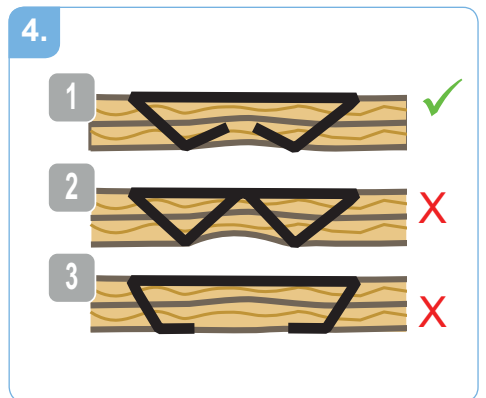


## QUICK START GUIDE

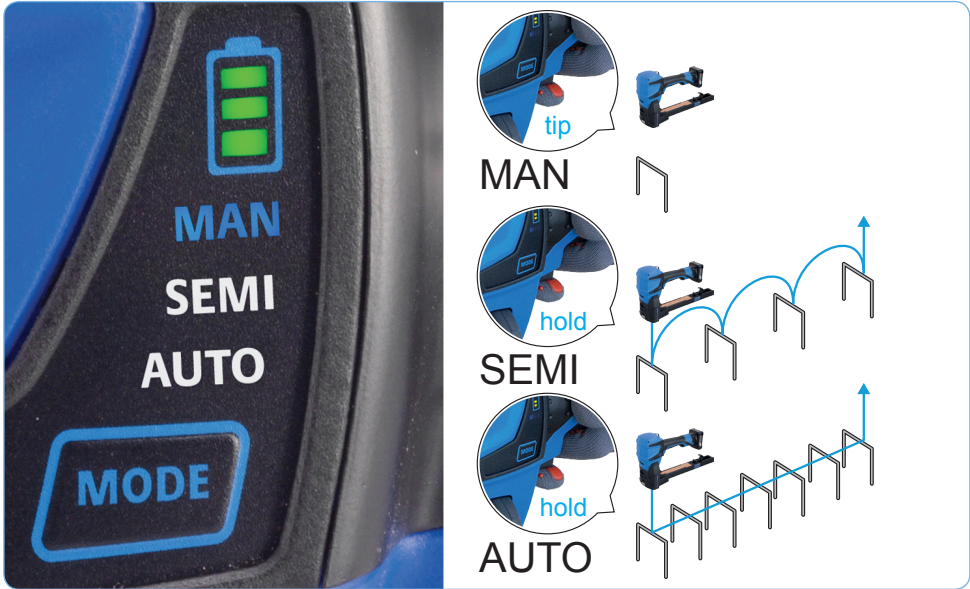
# Package content



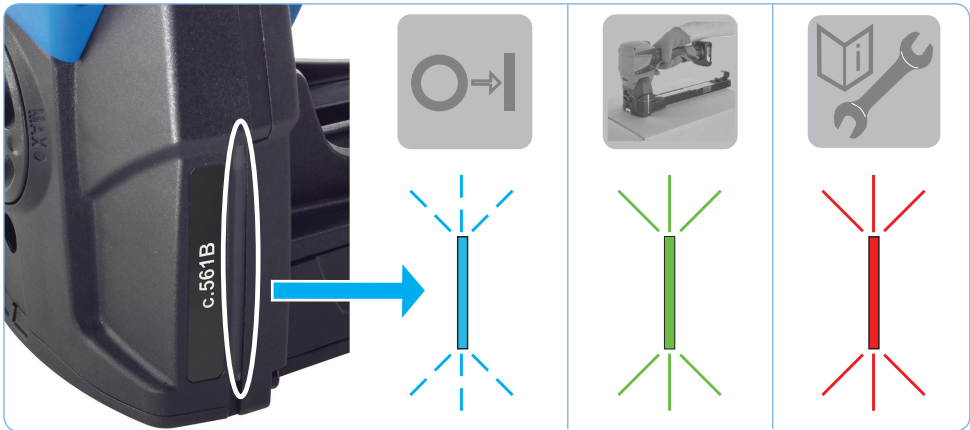
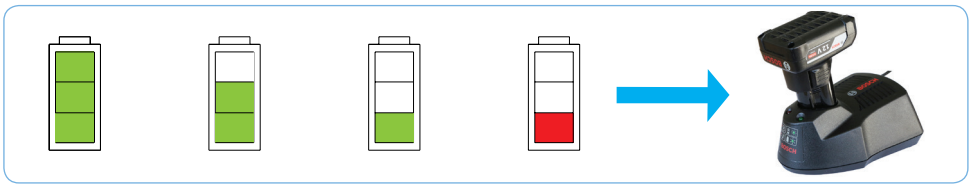
# Operation



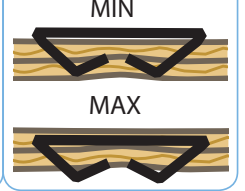
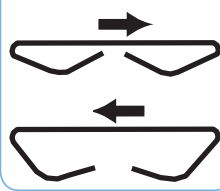
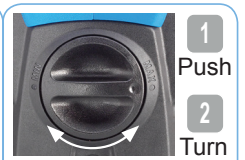
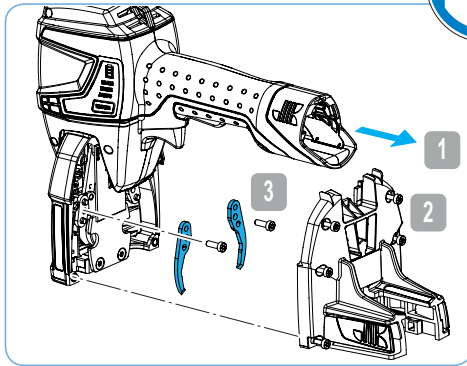
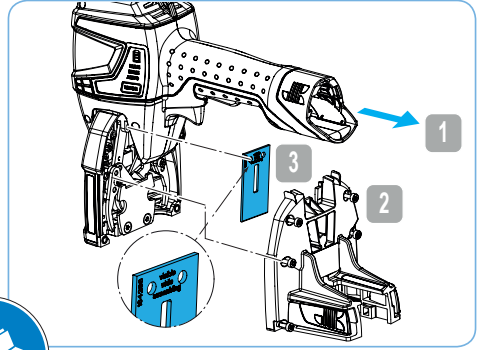
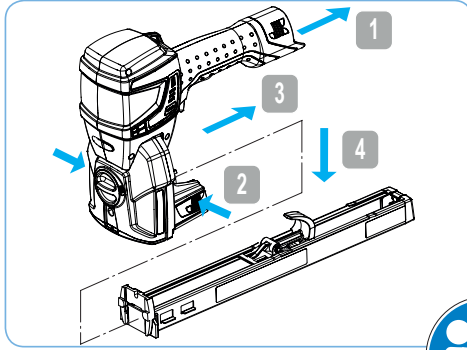
# Operating MODE



# LED indications



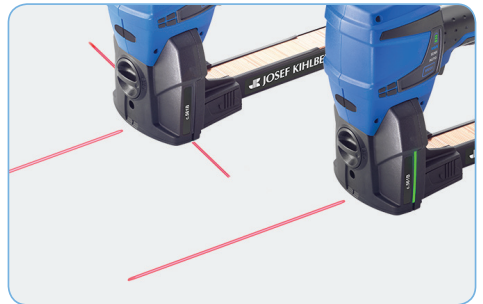
# Cleaning and replacing wear parts / adjustments



## Transport



## Optional features



**JOSEF KIHMBERG**

Josef Kihlberg AB  
 Industrigatan 37B  
 544 50 Hjo  
 Sweden



[www.kihlberg.com](http://www.kihlberg.com)