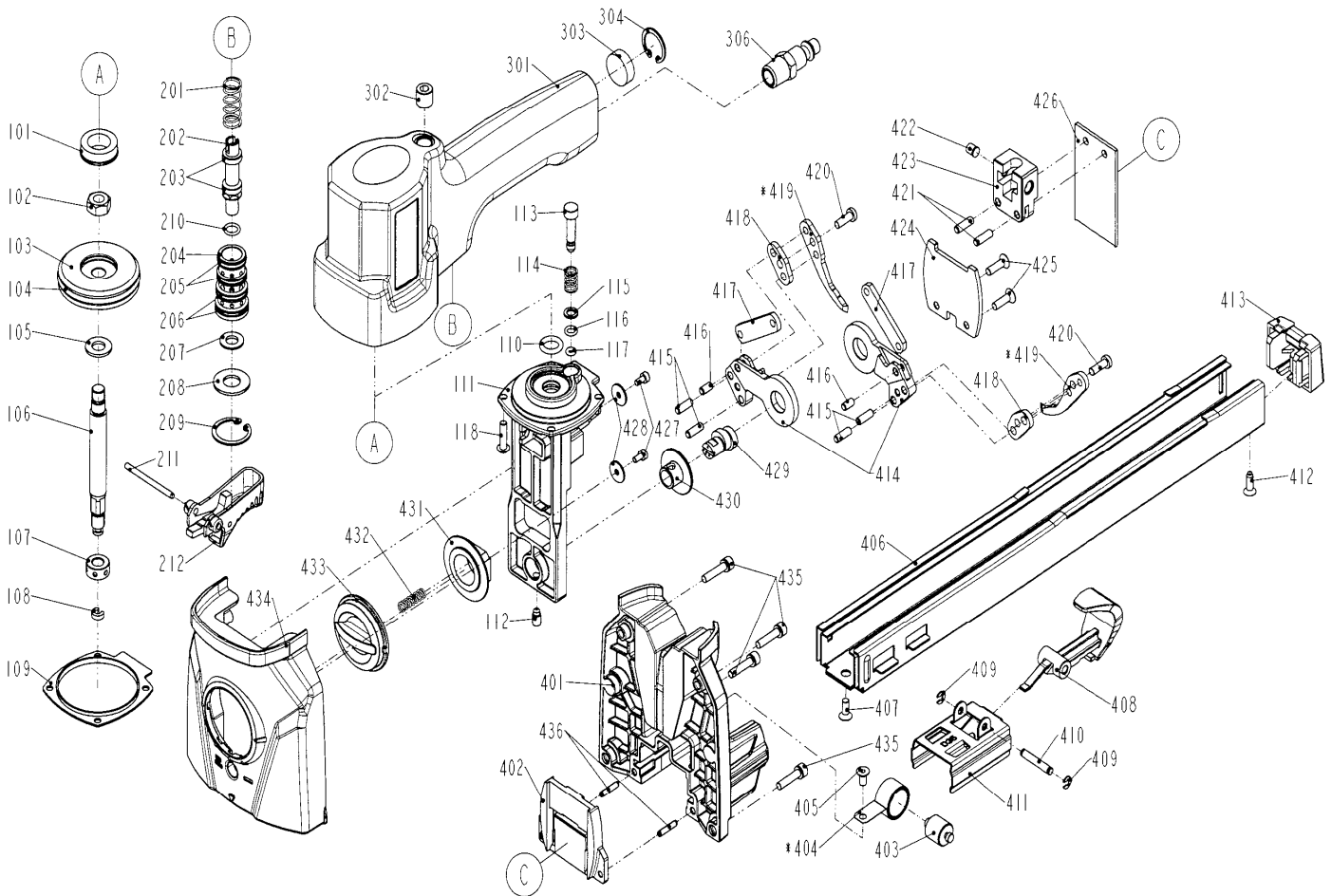


# DIAGRAM OF MON/D35-18AIR/CE



ITEM NO.	PART NO.	DESCRIPTION	ITEM NO.	PART NO.	DESCRIPTION	ITEM NO.	PART NO.	DESCRIPTION
101	1134W-1424701-1	FEED BUMPER	304	2040300-16010-0	C - RING	432	1134X-1424701-1	SPRING
102	2040501-05010-0	NUT	306	1135V-0000001-1	AIR PLUG	433	113CC-1420702-1	PENETRATION CONTROL KNOB
103	11349-1420001-1	MAIN PISTON	401	113CH-1421303-1	REAR COVER	434	1132C-1421303-1	FRONT BEARING PLATE
104	2041106-05020-0	O - RING	402	11303-1424701-1	DRIVER GUIDE	435	2040100-02070-0	BOLT ASSY
105	2040201-06020-3	FLAT WASHER	403	11386-1424701-1	ROLLING ELEMENT	436	2040401-05070-0	SPRAL PINS
106	1139H-1420001-1	PISTON SHAFT	404	11372-1420001-1	SPRING			
107	11393-1424701-1	ADJUST AXIE	405	2040103-02050-0	COUNTER SUNK SCREW			
108	1131G-1421101-1	FIXED RING	406	11273-1424701-1	MAGAZINE UNIT			
109	1132M-1420001-1	PACKING	407	2040103-02060-2	COUNTER SUNK SCREW			
110	2041104-01100-0	O - RING	408	1133E-1424701-1	PIN EJE.EXT.HANDLE			
111	11326-1420001-1	BASE	409	2040302-23010-0	E - RING			
112	2040104-03040-2	HEX.SOC.HD.SCREW	410	1133G-1424701-1	PUSHER PIN			
113	1138N-1424701-1	STOP LEVER	411	11363-1424701-1	PUSHER			
114	1135C-1420001-1	SPRING	412	2040107-02111-0	TAP BOLT			
115	2040201-03060-3	FLAT WASHER	413	11390-1424701-1	PROTECTING HOOD COVER			
116	2041109-01240-0	O - RING	414	113CD-1420001-1	ANVIL HOLDER			
117	2041104-01120-0	O - RING	415	2040403-07060-0	PIN			
118	2040102-02030-0	HALF ROUND HD.HEX.BOLT	416	2040403-06040-0	PIN			
201	1133U-1420001-1	SPRING	417	113CB-1424701-1	LINK			
202	11375-1424701-1	TRIGGER VALVE STEM	418	11380-1424701-1	GASKET			
203	2041108-01160-0	O - RING	419	113CE-1424701-1	ANVIL HOOL			
204	11373-1420001-1	TRIGGER VALVE HEAD	420	2040101-02060-2	HEX.SOC.HD.BOLT			
205	2041102-02060-0	O - RING	421	2040403-07360-0	PIN			
206	2041104-02060-0	O - RING	422	11218-1420001-1	BALL UNIT			
207	11380-1424702-1	GASKET	423	1137F-1424701-1	LINK-BLOCK			
208	2040201-08020-3	FLAT WASHER	424	11351-1424701-1	DRIVER GUIDE COVER			
209	2040300-15010-0	C - RING	425	2040103-02030-2	COUNTER SUNK SCREW			
210	2041109-01020-0	O - RING	426	11387-1420001-1	DRIVER			
211	2040403-05190-0	PIN	427	2040101-01040-2	HEX.SOC.HD.BOLT			
212	11224-1424702-1	TRIGGER UNIT	428	2040201-01040-0	FLAT WASHER			
301	11384-1421302-1	GUN BODY	429	113CG-1424701-1	PENETRATION ECCENTRIC			
302	2040104-06010-0	HEX.SOC.HD.SCREW	430	113CF-1424701-1	BUSHING			
303	1132T-1420001-1	MUFFLER	431	1133W-1424701-1	PUSHER BEARING			