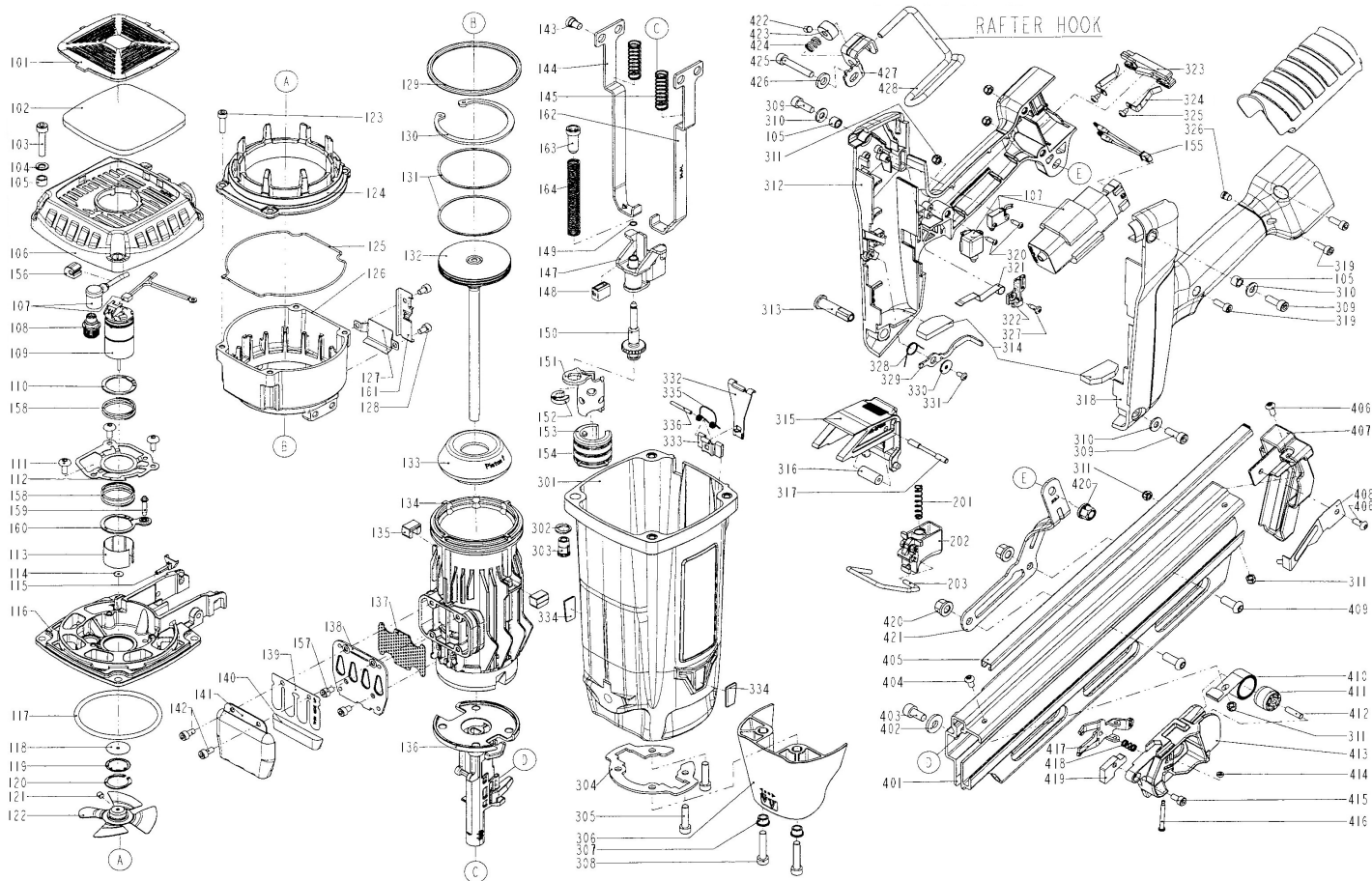


# DIAGRAM OF GSN22-90



ITEM NO.	PART NO.	DESCRIPTION	ITEM NO.	PART NO.	DESCRIPTION	ITEM NO.	PART NO.	DESCRIPTION
101	11371-1154702-1	DEFLECTOR	145	11337-1154701-1	SAFETY SPRING	323	1136H-1154701-1	BATTERY NODE BRACKET
102	1137N-1150001-1	FILTER	147	11256-1354702-1	SAFETY B UNIT	324	113A8-1150001-1	BATTERY NODE
103	2040101-03110-0	HEX.SOC.HD.BOLT	148	1134W-1154703-1	FEED BUMPER	325	2040107-01040-0	TAP BOLT
104	2040201-03050-0	FLAT WASHER	149	2040309-00010-0	SELF-LOCKING EXTERNAL NUTS	326	113AP-1150001-1	LED COVER
105	1136P-1154701-1	COLLOR	150	11249-1154701-2	ADJUST AXIE UNIT	327	2040108-01020-5	SELF TAPPING BOLT
106	11369-1154703-1	CAP	151	11331-1354704-1	SAFETY A	328	11315-1154701-1	SPRING A
107	1120G-1150001-3	PCB ASSEMBLY	152	1131C-1154703-1	RING	329	1137G-1154701-1	LINK ROD
108	1120D-1154701-1	SPARKLER	153	11339-1354701-1	PROTECTIVE CASING	330	2040201-01040-0	FLAT WASHER
109	1120N-1150006-1	MOTOR UNIT	154	1131G-0374702-1	FIXED RING	331	2040108-01050-5	SELF TAPPING BOLT
110	2040304-53010-0	EX-CONCENTRIC RING	155	113CA-1150801-1	SOURCE	332	113AK-1154701-1	SPOPPER
111	2040102-02043-5	HALF ROUND HD.HEX.BOLT	156	1136H-1154705-1	RAFT HOOK BRACKET	333	1134K-1154701-2	SPOPPER SPRING
112	1131J-1154702-1	POSITIONING SHEET	157	2040101-02030-5	HEX.SOC.HD.BOLT	334	1135R-0864701-1	PROTECTIVE CUSHION
113	11398-1150002-1	SLEEVE MOTOR	158	1138J-1150002-1	SPRING	335	11315-1154702-1	SPRING
114	11380-1150001-1	WASHER-MOTOR SHAFT	159	113CK-1150001-1	POSITIONING SHAFT	336	2040400-04110-0	SPRING PIN
115	113A6-1151101-1	FUEL STEM ADAPTER	160	1131C-1154704-1	RING A	401	11389-1354701-1	MAGAZINE A
116	1139U-1150001-2	END CAP-COMBUSTION CHAMBER	161	1137D-1150001-1	PUSHING	402	2040202-04010-0	FLAT WASHER
117	2041108-06131-0	O - RING	162	11330-1154702-1	SAFETY C(LEFT)	403	2040101-04020-2	HEX.SOC.HD.BOLT
118	1136X-1150001-1	SEAL	163	11395-1154701-1	SAFETY ROD	404	2040102-02010-0	HALF ROUND HD.HEX.BOLT
119	11323-1150003-1	SEAL PLATE-MOTOR	164	11337-1154702-1	SAFETY SPRING	405	11396-1354701-1	STEEL CHANNEL
120	2040303-35010-0	IN-CONCENTRIC RING	201	11319-1154701-1	SPRING	406	2040102-02040-0	HALF ROUND HD.HEX.BOLT
121	2040104-02010-5	HEX.SOC.HD.SCREW	202	11224-1154701-1	TRIGGER UNIT	407	11390-0374705-1	PROTECTING HOOD COVER
122	1120C-1150001-2	COOLING FAN ASSEMBLY	203	11335-1154702-1	SAFETY	408	1130S-0374702-2	STOP NAIL PLATE
123	2040101-02080-4	HEX.SOC.HD.BOLT	301	11384-1154001-1	GUN BODY	409	2040102-04030-0	HALF ROUND HD.HEX.BOLT
124	113AE-1150001-1	UPPER COMBUSTION CHAMBER	302	11380-1154702-1	WASHER CAP	410	11372-0370001-1	SPRING
125	1132M-1150901-1	PACKING	303	11398-1150001-1	CAP NUT	411	11386-0370002-1	ROLLING ELEMENT
126	1139V-1150001-1	COMBUSTION CHAMBER	304	11323-1154709-1	CONNECTOR PLATE-NOSE/CYLINDER	412	11385-0374704-1	ROLL PIN
127	1139B-1150001-2	WASHER	305	2040101-03090-2	HEX.SOC.HD.BOLT	413	1136E-0374703-1	PROTECTING HOOD COVER
128	2040101-02020-2	HEX.SOC.HD.BOLT	306	1134R-1154702-1	SPRING COVER	414	1131D-0460001-1	URETHANE RETAINER
129	2041104-07061-0	O-RING	307	11398-1154702-1	WASHER-NOSE COVER	415	2040101-02030-0	HEX.SOC.HD.BOLT
130	2040300-14010-0	C - RING	308	2040101-03110-2	HEX.SOC.HD.BOLT	416	11318-0084701-1	TRIGGER PIVOT PIN
131	11350-1154701-1	PISTON RING	309	2040101-03070-2	HEX.SOC.HD.BOLT	417	11363-0374708-1	PUSHER
132	11204-1354701-2	DRIVER UNIT	310	2040201-03040-0	FLAT WASHER	418	1136F-0374701-1	SPRING
133	11327-1154701-1	BUMPER	311	2040500-02010-0	LOCK NUT	419	1136G-1354701-1	SQUARE UNITS
134	11320-1150003-1	CYLINDER	312	1137K-1154703-2	HANDLE A	420	2040501-04010-0	BOLT CAP
135	1134W-1154704-1	BUMPER-COMBUSTION CHAMBER	313	11325-1154701-1	HANDLE BOLT	421	11323-1354701-1	POSITIONING SHEET
136	11382-1354703-1	NOSE PIECE	314	1138W-1150001-1	SPACER	422	2040104-03080-2	HEX.SOC.HD.SCREW
137	1139W-1150001-2	EXHAUST MESH PLATE	315	113A7-1154701-1	FUEL ACTUATOR	423	1136C-1154701-1	POSITIONING AXIS
138	113A0-1150001-1	EXHAUST BAFFLE	316	11398-1154701-1	BUSH-FUEL ACTUATOR	424	1138J-1154701-1	SPRING RETAINER
139	1139X-1150001-2	REED VALVE	317	11325-1154702-1	PIN-FUEL ACTUATOR	425	2040101-04110-0	HEX.SOC.HD.BOLT
140	1139L-1150001-1	CLEANER	318	1137K-1154702-3	HANDLE B	426	2040201-04010-1	FLAT WASHER
141	113A3-1150001-1	DEFLECTOR	319	2040101-02060-0	HEX.SOC.HD.BOLT	427	1136H-1154702-1	RAFT HOOK BRACKET
142	2040101-02040-5	HEX.SOC.HD.BOLT	320	2040108-01010-0	SELF TAPPING BOLT	428	1133D-1154702-1	HOOK
143	113BW-1154701-1	HEX.SOC.HD.BOLT	321	113AH-1150001-1	MOTOR FAN SWITCH LEVER			
144	11330-1154703-1	SAFETY C(RIGHT)	322	11323-1154703-1	BRACKET-MOTOR FAN SWITCH LEVER			