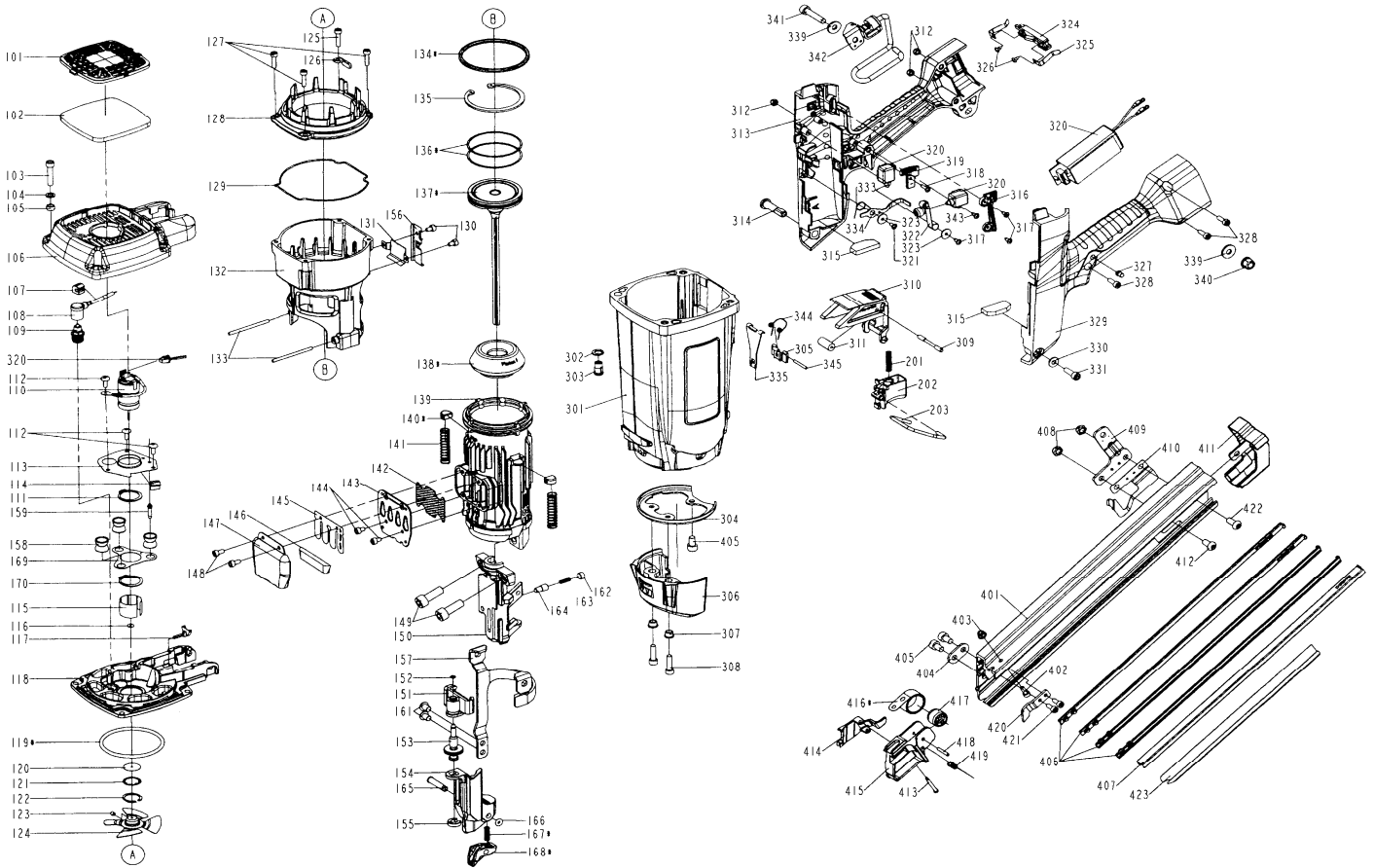


# DIAGRAM OF MON/GSN34-65MC/CE



ITEM NO.	PART NO.	DESCRIPTION	ITEM NO.	PART NO.	DESCRIPTION	ITEM NO.	PART NO.	DESCRIPTION
101	11371-1154705-1	DEFLECTOR	147	113A3-1150001-1	DEFLECTOR	321	2040108-01050-5	SELF TAPPING BOLT
102	1137N-1150001-1	FILTER	148	2040101-02040-5	HEX.SOC.HD.BOLT	322	1120R-1150001-2	MOTOR FAN SWITCH LEVER UNIT
103	2040101-03110-0	HEX.SOC.HD.BOLT	149	2040101-05090-2	HEX.SOC.HD.BOLT	323	2040201-01040-0	FLAT WASHER
104	2040201-03050-0	FLAT WASHER	150	11382-1094705-2	NOSE PIECE	324	1136H-1154701-1	BATTERY NODE BRACKET
105	1136P-1154701-1	COLLOR	151	11256-1094703-1	SAFETY B UNIT	325	113A8-1150001-1	BATTERY NODE
106	11369-1154702-1	CAP	152	2040309-00010-0	SELF-LOCKING EXTERNAL NUTS	326	2040107-01040-0	TAP BOLT
107	1136H-1154705-1	RAFT HOOK BRACKET	153	11249-1274701-1	ADJUST AXIE UNIT	327	113AP-1150001-1	LED COVER
108	11216-1150001-1	HIGH VOLTAGE CABLE SET	154	113BL-1094702-1	ADJUST	328	2040101-02070-0	HEX.SOC.HD.BOLT
109	1120D-1154701-1	SPARKLER	155	1131C-1154703-1	RING	329	11233-1154720-1	HANDLE B UNIT
110	1120N-1150003-1	MOTOR UNIT	156	1137D-1150001-1	PUSHING	330	2040201-03040-0	FLAT WASHER
111	2040301-17010-0	S - RING	157	11330-1274703-1	SAFETY C	331	2040101-03070-2	HEX.SOC.HD.BOLT
112	2040102-02043-5	HALF ROUND HD.HEX.BOLT	158	1134W-1154706-1	FEED BUMPER	333	11315-1154701-1	SPRING A
113	1131J-1154701-1	POSITIONING SHEET	159	113CK-1150001-1	POSITIONING SHAFT	334	1137G-1154701-1	LINK ROD
114	1136H-1154704-1	GROUND WIRE BRACKET	161	2040102-04100-1	HALF ROUND HD.HEX.BOLT	335	113AK-1154701-1	STOPPER
115	11398-1150002-1	SLEEVE MOTOR	162	2040104-05030-0	HEX.SOC.HD.SCREW	339	2040202-04010-0	FLAT WASHER
116	11380-1150001-1	WASHER-MOTOR SHAFT	163	1230J-1024701-1	PIN	340	2040501-04010-0	BOLT CAP
117	113A6-1151101-1	FUEL STEM ADAPTER	164	11235-1274701-1	PIN	341	2040101-04110-0	HEX.SOC.HD.BOLT
118	1139U-1150002-1	END CAP-COMBUSTION CHAMBER	165	11324-1054701-1	FIXED PIN	342	11285-1154702-1	SPRING RETAINER UNIT
119	2041108-06131-0	O - RING	166	2041104-01040-0	O - RING	343	2040108-01030-5	SELF TAPPING BOLT
120	1136X-1150001-1	SEAL	167	1138J-1090001-1	GUIDE BLOCK SPRING	344	11315-1154702-1	SPRING
121	11323-1150003-1	SEAL PLATE-MOTOR	168	1135D-1094701-1	GUIDE BLOCK	345	2040400-04110-0	SPRING PIN
122	2040303-35010-0	IN-CONCENTRIC RING	169	1133X-1150001-1	SPACER	401	11389-1094706-1	MAGAZINE A
123	2040104-02010-5	HEX.SOC.HD.SCREW	170	2040301-25010-0	S - RING	402	2040101-02040-0	HEX.SOC.HD.BOLT
124	1120C-1150001-2	COOLING FAN ASSEMBLY	201	11319-1154701-1	SPRING	403	2040501-02020-0	BOLT CAP
125	2040101-02090-6	HEX.SOC.HD.BOLT	202	11224-1154701-1	TRIGGER UNIT	404	11380-1124702-1	GASKET
126	1135B-1150001-1	GUIDE	203	11335-1154702-1	SAFETY	405	2040101-04010-2	HEX.SOC.HD.BOLT
127	2040101-02080-4	HEX.SOC.HD.BOLT	301	11384-1156102-3	GUN BODY	406	11396-1094709-1	STEEL CHANNEL
128	113AE-1150001-1	UPPER COMBUSTION CHAMBER	302	11380-1154702-1	WASHER CAP	407	11396-1094708-1	STEEL CHANNEL
129	1132M-1150901-1	PACKING	303	11398-1150001-1	CAP NUT	408	2040500-04010-0	LOCK NUT
130	2040101-02020-2	HEX.SOC.HD.BOLT	304	11323-1154704-2	CYLINDER BRACKET	409	11323-1094704-1	POSITIONING SHEET
131	1139B-1150001-2	WASHER	305	1134K-1154701-2	STOPPER SPRING	410	1130S-1090001-1	STOP NAIL PLATE
132	1139V-1150002-3	COMBUSTION CHAMBER	306	1137A-1094703-2	SAFETY COVER	411	11390-1094704-1	PROTECTING HOOD COVER
133	1131K-1150001-1	PIN	307	11398-1154702-1	WASHER-NOSE COVER	412	2040102-04010-0	HALF ROUND HD.HEX.BOLT
134	2041104-07061-0	O-RING	308	2040101-03080-2	HEX.SOC.HD.BOLT	413	11324-0264701-1	FIXED PIN
135	2040300-14010-0	C - RING	309	11325-1154702-1	PIN-FUEL ACTUATOR	414	11363-1284701-1	PUSHER
136	11350-1154701-1	PISTON RING	310	113A7-1154701-1	FUEL ACTUATOR	415	1136E-1284701-1	PROTECTING HOOD COVER
137	11204-1090005-3	DRIVER UNIT	311	11398-1154701-1	BUSH-FUEL ACTUATOR	416	11372-1090002-1	SPRING
138	11327-1154701-1	BUMPER	312	2040500-02010-0	LOCK NUT	417	11386-0370002-1	ROLLING ELEMENT
139	11320-1090004-2	CYLINDER	313	11233-1154719-1	HANDLE A UNIT	418	2040400-05090-0	SPRING PIN
140	1134W-1154705-1	BUMPER-COMBUSTION CHAMBER	314	11325-1154701-1	HANDLE BOLT	419	1136F-0374701-1	SPRING
141	11337-1154701-1	SAFETY SPRING	315	1138W-1150001-1	SPACER	420	1131J-1094703-1	POSITIONING SHEET
142	1139W-1150001-2	EXHAUST MESH PLATE	316	11323-1154706-1	BRACKET UNIT	421	2040101-02040-2	HEX.SOC.HD.BOLT
143	113A0-1150001-1	EXHAUST BAFFLE	317	2040108-01020-5	SELF TAPPING BOLT	422	2040102-04050-0	HALF ROUND HD.HEX.BOLT
144	2040101-02030-5	HEX.SOC.HD.BOLT	318	2040108-01040-6	SELF TAPPING BOLT	423	11396-1090001-1	STEEL CHANNEL
145	1139X-1150001-2	REED VALVE	319	11323-1154707-1	WIRE GUIDE B			
146	1139L-1150001-1	CLEANER	320	1120G-1150002-1	PCB ASSEMBLY			