

# Milwaukee®

Nothing but **HEAVY DUTY**®.



## **SSPE 1300 RX** **SSPE 1300 QX** **SSPE 1300 SX** **SSPE 1500 X**

Original instructions  
Originalbetriebsanleitung  
Notice originale  
Istruzioni originali  
Manual original  
Oorspronkelijke  
gebruiksaanwijzing  
Original brugsanvisning  
Original bruksanvisning  
Bruksanvisning i original  
Alkuperäiset ohjeet

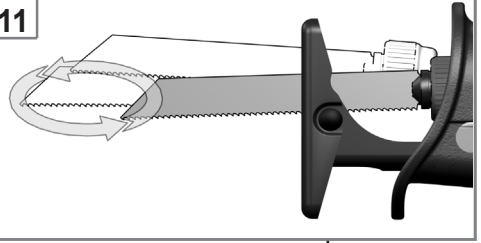
Πρωτότυπο οδηγιών χρήσης  
Orijinal işletme talimatı  
Původním návodem k  
používání  
Pôvodný návod na použitie  
Instrukcją oryginalną  
Eredeti használati utasítás  
Izvirna navodila  
Originalne pogonske upute  
Instrukcijām oriģināvalodā  
Originali instrukcija

Algupärane kasutusjuhend  
Оригинальное руководство  
по эксплуатации  
Оригинално ръководство за  
експлоатация  
Instrucțiuni de folosire  
originale  
Оригинален прирачник за  
работа  
原始的指南

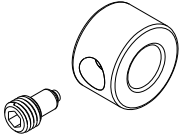


Technical Data, Safety Instructions, Specified Conditions of Use, EC-Declaration of Conformity, Mains connection, Maintenance, Symbols	Please read and save these instructions!	<b>ENGLISH</b>	<b>18</b>
Technische Daten, Sicherheitshinweise, Bestimmungsgemäße Verwendung, CE-Konformitätserklärung, Netzanschluss, Wartung, Symbole	Bitte lesen und aufbewahren!	<b>DEUTSCH</b>	<b>20</b>
Caractéristiques techniques, Instructions de sécurité, Utilisation conforme aux prescriptions, Déclaration CE de Conformité, Branchement secteur, Entretien, Symboles	Prière de lire et de conserver!	<b>FRANÇAIS</b>	<b>22</b>
Dati tecnici, Norme di sicurezza, Utilizzo conforme, Dichiarazione di Conformità CE, Collegamento alla rete, Manutenzione, Simboli	Si prega di leggere le istruzioni e di conservarle!	<b>ITALIANO</b>	<b>24</b>
Datos técnicos, Instrucciones de seguridad, Aplicación de acuerdo a la finalidad, Declaración de Conformidad CE, Conexión eléctrica, Mantenimiento, Símbolos	Lea y conserve estas instrucciones por favor!	<b>ESPAÑOL</b>	<b>26</b>
Características técnicas, Instruções de segurança, Utilização autorizada, Declaração de Conformidade CE, Ligaçã o a rede, Manutenção, Símbolo	Por favor leia e conserve em seu poder!	<b>PORTUGUES</b>	<b>28</b>
Technische gegevens, Veiligheidsadviezen, Voorgeschreven gebruik van het systeem, CE-Konformiteitsverklaring, Netaansluiting, Onderhoud, Symbolen	Lees en let goed op deze adviezen!	<b>NEDERLANDS</b>	<b>30</b>
Tekniske data, Sikkerhedshenvisninger, Tiltænk formål, CE-Konformitetserklæring, Netttilslutning, Vedligeholdelse, Symboler	Vær venlig at læse og opbevare!	<b>DANSK</b>	<b>32</b>
Tekniske data, Spesielle sikkerhetshenvisninger, Formålmessig bruk, CE-Samsvarserklæring, Nettlikopling, Vedlikehold, Symboler	Vennligst les og oppbevar!	<b>NORSK</b>	<b>34</b>
Tekniska data, Säkerhetsutrustning, Använd maskinen Enligt anvisningarna, CE-Försäkran, Nätanlutning, Skötsel, Symboler	Var god läs och tag tillvara dessa instruktioner!	<b>SVENSKA</b>	<b>36</b>
Tekniset arvot, Turvallisuusohjeet, Tarkoituksenmukainen käyttö, Todistus CE-standardinmukaisuudesta, Verkkoliitäntä, Huolto, Symbolit	Lue ja säilytä!	<b>SUOMI</b>	<b>38</b>
Τεχνικά στοιχεία, Είδικα υποδείξεις ασφαλείας, Χρήση σύμφωνα με το σκοπό προορισμού, Δήλωση πιστοποίησης εκ, Συνδεση στο ηλεκτρικό δίκτυο, Συντηρηση, Συμβολα	Παρακαλώ διαβάστε τις και φυλάξτε τις!	<b>ΕΛΛΗΝΙΚΑ</b>	<b>40</b>
Teknik veriler, Güvenliğiniz için talimatlar, Kullanım, CE uygunluk beyanince, Şebeke bağlantısı, Bakım, Semboller	Lütfen okuyun ve saklayın	<b>TÜRKÇE</b>	<b>42</b>
Technická data , Speciální bezpečnostní upozornění, Oblast využití, Ce-prohlášení o shodě, Připojení na síť, Údržba, Symboly	Po přečtení uschovejte	<b>ČESKY</b>	<b>44</b>
Technické údaje, Speciálne bezpečnostné pokyny, Použitie podľa predpisov, CE-Vyhlasenie konformity, Sieťová prípojka, Údržba, Symboly	Prosím prečítať a uschovať!	<b>SLOVENSKY</b>	<b>46</b>
Dane techniczne, Specjalne zalecenia dotyczace bezpieczenstwa, Uzytkowanie zgodne z przeznaczeniem, Swiadectwo zgodnosci ce, Podlaczenie do sieci, Gwarancja, Symboly	Prosimy o uwazne przeczytanie i przestrzeganie zaleceń zamie szczonych w tej instrukcji.	<b>POLSKI</b>	<b>48</b>
Műszaki adatok, Különleges biztonsági tudnivalók, Rendeltetés szerű használat, Ce-azonosságí nyilatkozat, Hálózati csatlakoztatás, Karbantartás, Szimbólumok	Olvassa el és őrizze meg	<b>MAGYAR</b>	<b>50</b>
Tehnični podatki, Specialni varnostni napotki, Uporaba v skladu z namembnostjo, Ce-izjava o konformnosti, Omrežni priključek, Vzdrževanje, Simboli	Prosimo preberite in shranite!	<b>SLOVENSKO</b>	<b>52</b>
Tehnički podaci, Specijalne sigurnosne upute, Propisna upotreba, CE-Izjava konformnosti, Priključak na mrežu, Održavanje, Simboli	Molimo pročitati i sačuvati	<b>HRVATSKI</b>	<b>54</b>
Tehniskie dati, Speciālie drošības noteikumi, Noteikumiem atbilstošs izmantojums, Atbilstība CE normām, Tīkla pieslēgums, Apkope, Simboli	Pielikums lietošanas pamācībai	<b>LATVISKI</b>	<b>56</b>
Techniniai duomenys, Ypatingos saugumo nuorodos, Naudojimas pagal paskirtį, CE Atitikties pareiškimas, Elektros tinklo jungtis, Techninis aptarnavimas, Simboliai	Prašome perskaityti ir neišmesti!	<b>LIETUVIŠKAI</b>	<b>58</b>
Tehnilised andmed, Spetsiaalsed turvajuhised, Kasutamine vastavalt otstarbele, EU Vastavusavaldus, Võrk ühendamine, Hooldus, Sümbolid	Palun lugege läbi ja hoidke alal!	<b>EESTI</b>	<b>60</b>
Технические данные, Рекомендации по технике безопасности, Использо- вание, Подключение к электросети, Обслуживание, Символы	Пожалуйста, прочтите и сохраните настоящую! инструкцию	<b>РУССКИЙ</b>	<b>62</b>
Технически данни, Специални указания за безопасност, Използване по предназначение, CE-Декларация за съответствие, Свързване към мрежата, Поддръжка, Символи	Моля прочетете и запазете!	<b>БЪЛГАРСКИ</b>	<b>64</b>
Date tehnice, Instrucțiuni de securitate, Condiții de utilizare specificate, Declarație de conformitate, Alimentare de la rețea, Intreținere, Simboluri	Va rugăm citiți și păstrați aceste instrucțiuni	<b>ROMÂNIA</b>	<b>66</b>
Технички Податоци, Упатство За Употреба, Специфицирани Услови На Употреба, Еу-декларација За Сообразност, Главни Врски, Одржување, Символи	Ве молиме прочитајте го и чувајте го ова упатство!	<b>МАКЕДОНСКИ</b>	<b>68</b>
技术数据, 特殊安全指示, 正确地使用机器, 欧洲安全规定说明, 电源插头、维修、符号	请仔细阅读并妥善保存!	<b>中文</b>	<b>70</b>

11

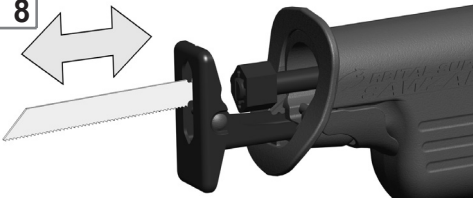


6



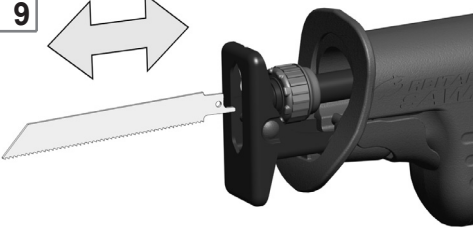
SSPE 1300 SX

8

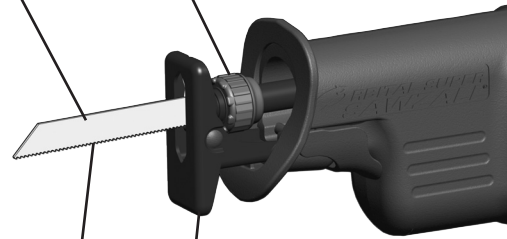
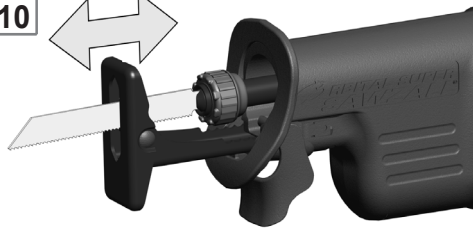


SSPE 1300 SX

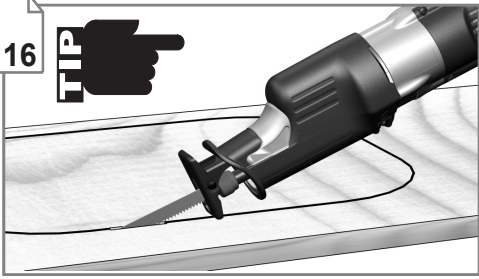
9



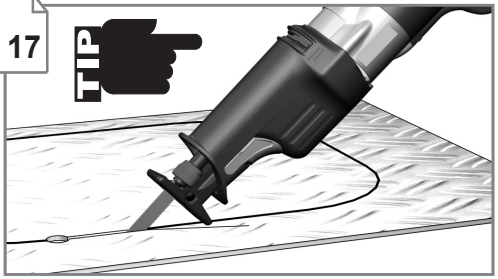
10



16



17



15



SSPE 1300 RX, SSPE 1300 QX

14



13

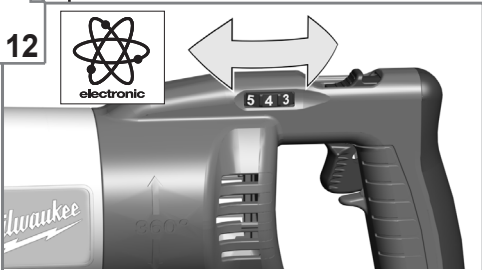


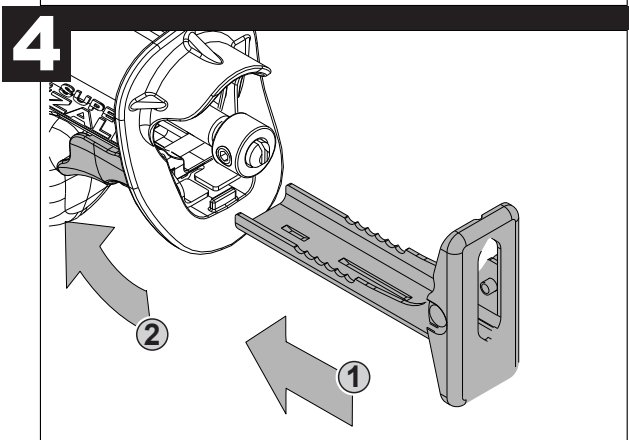
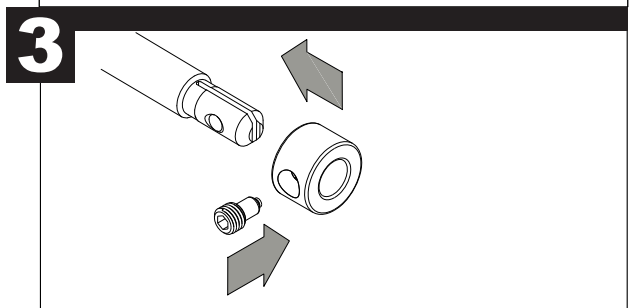
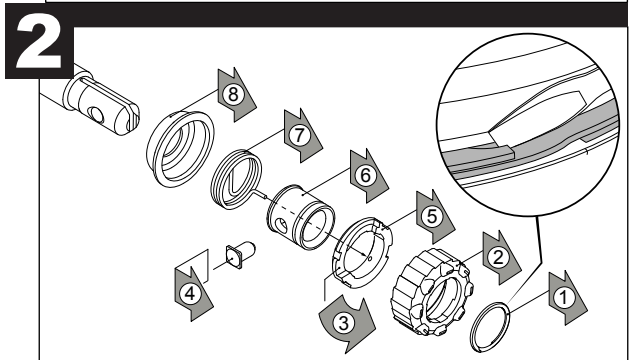
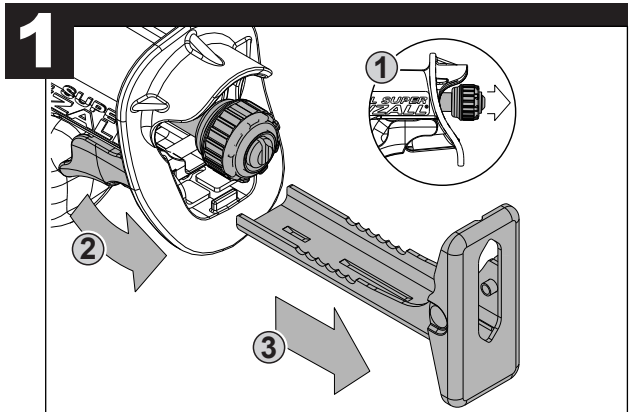
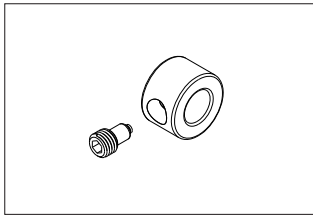
SSPE 1300 QX

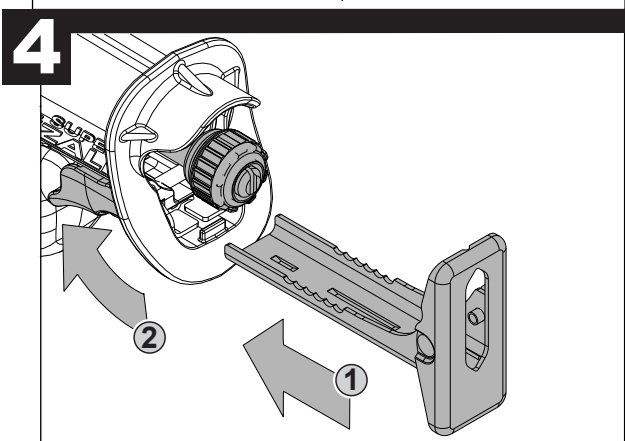
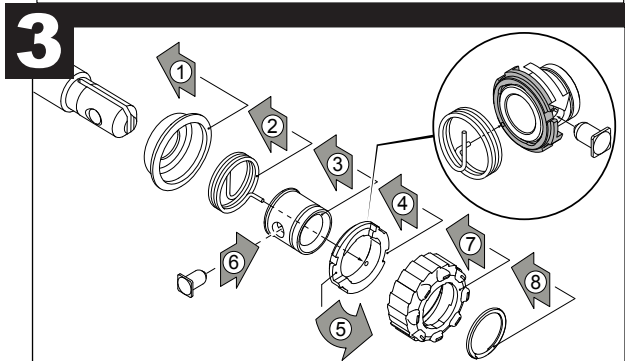
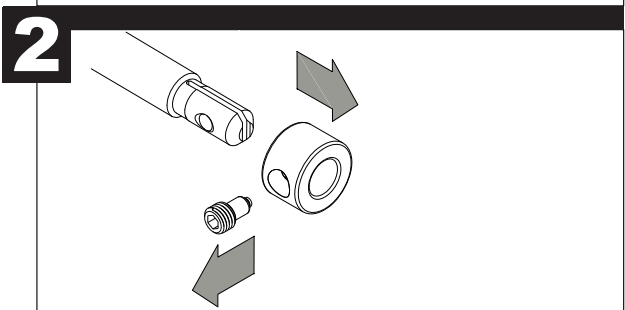
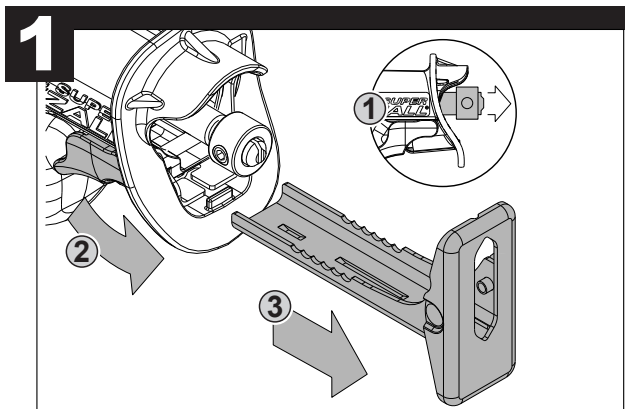
12

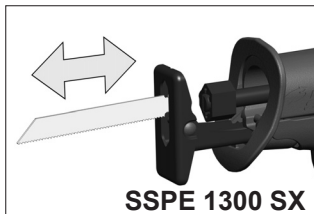


5 4 3

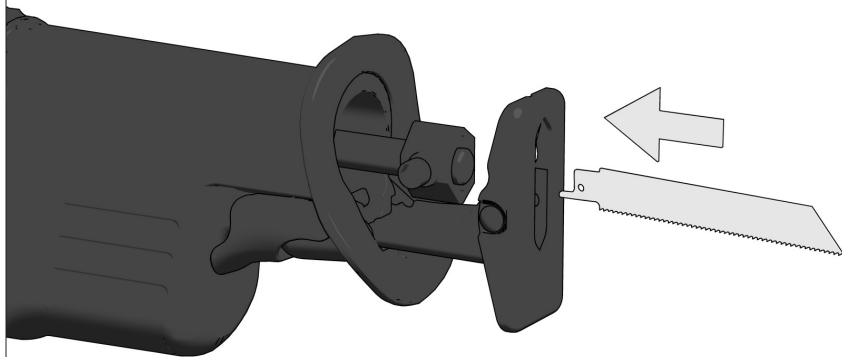




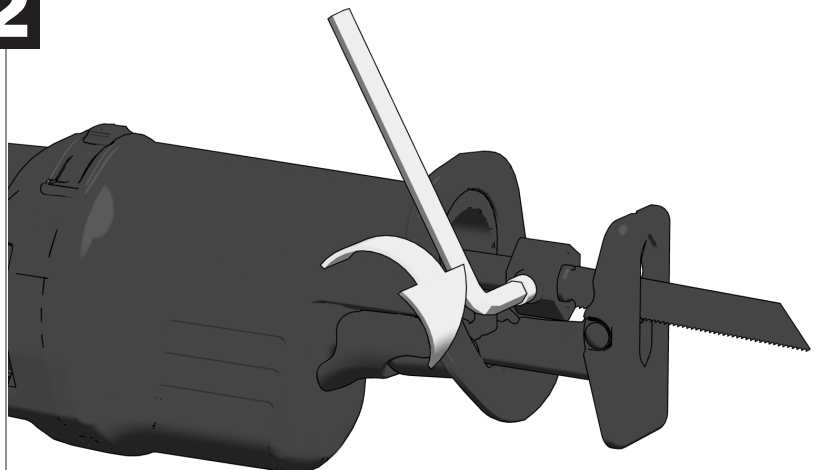




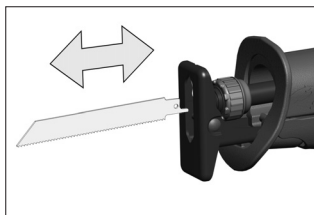
**1**



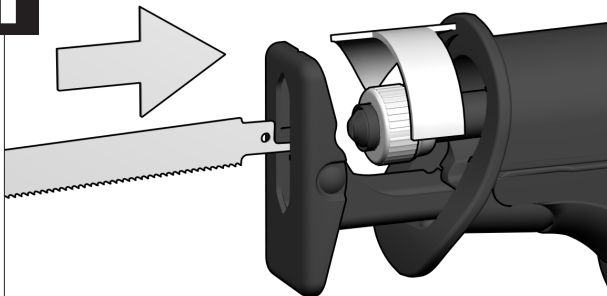
**2**



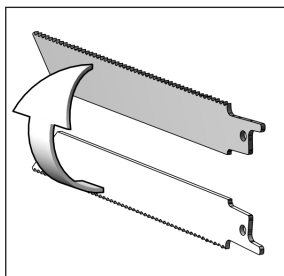
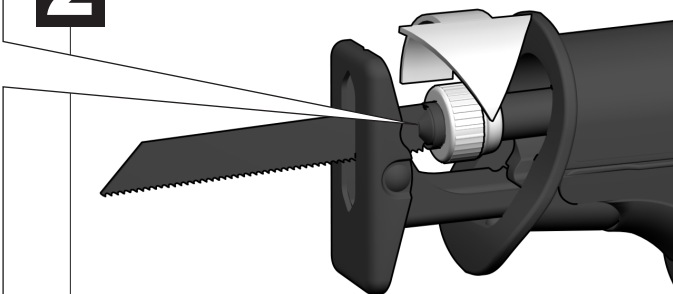
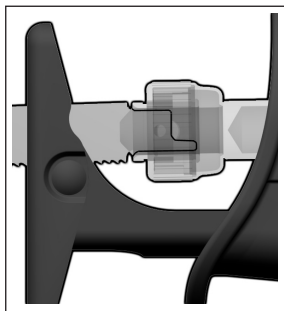




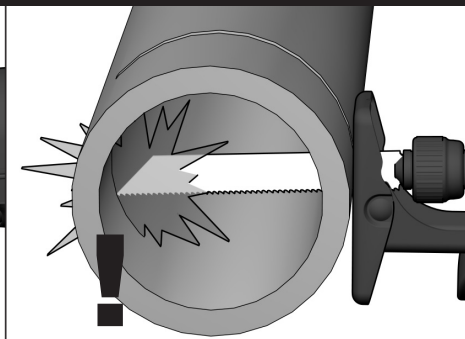
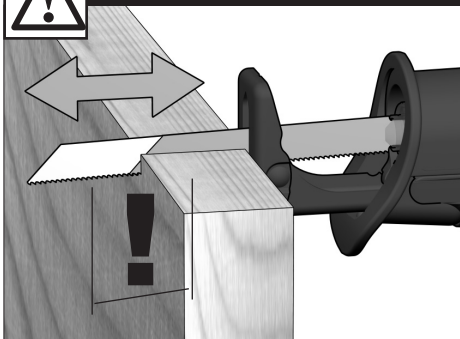
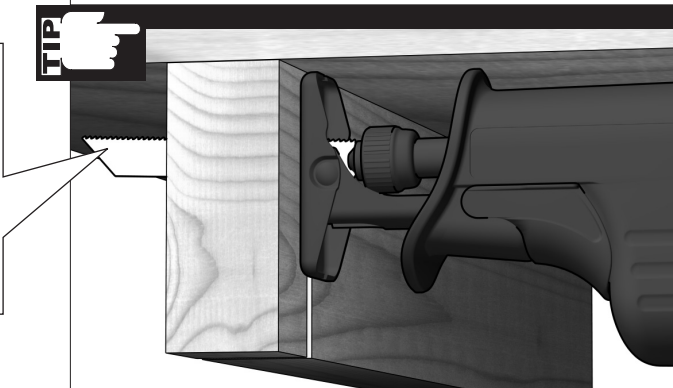
**1**

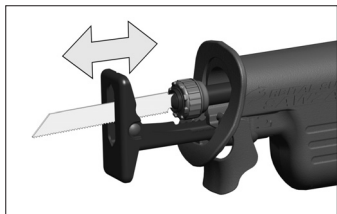


**2**

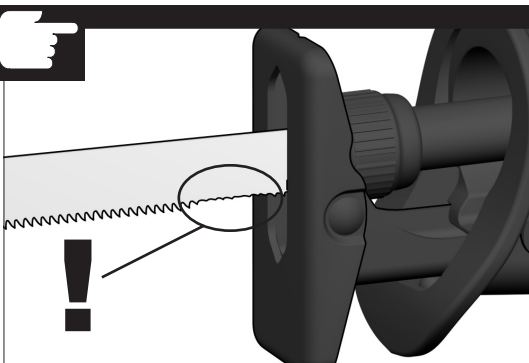


**TIP**

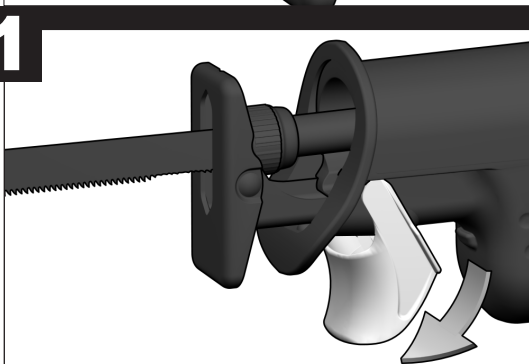




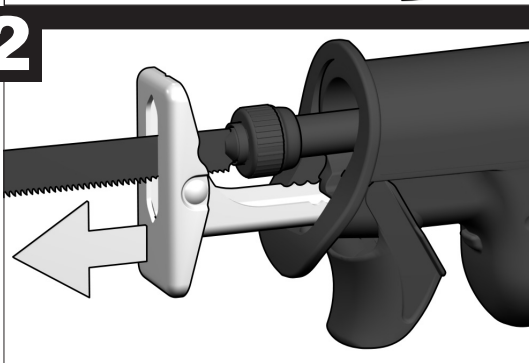
**TIP**



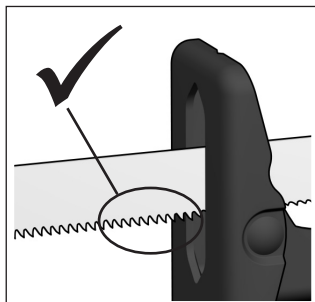
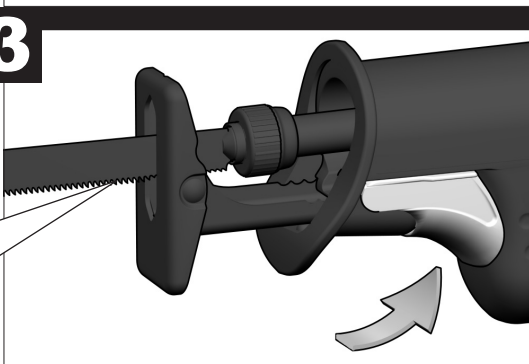
**1**

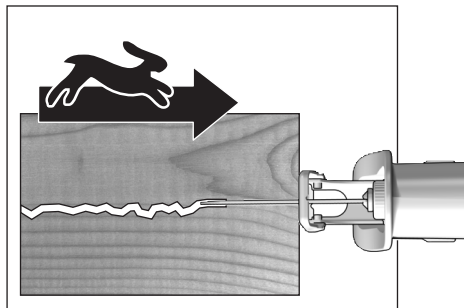
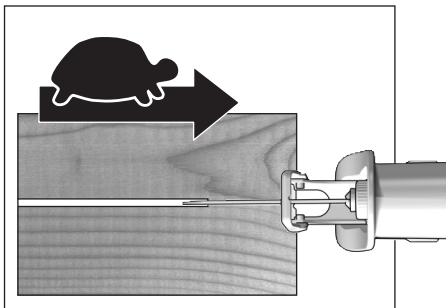
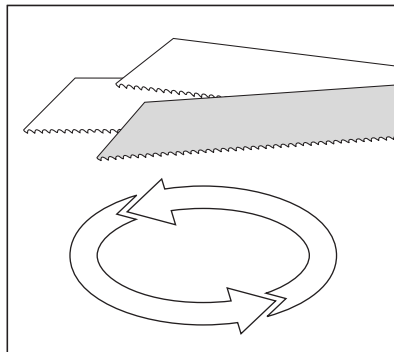
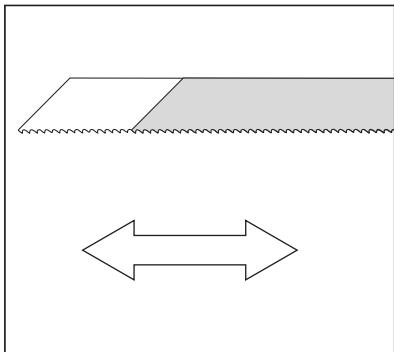
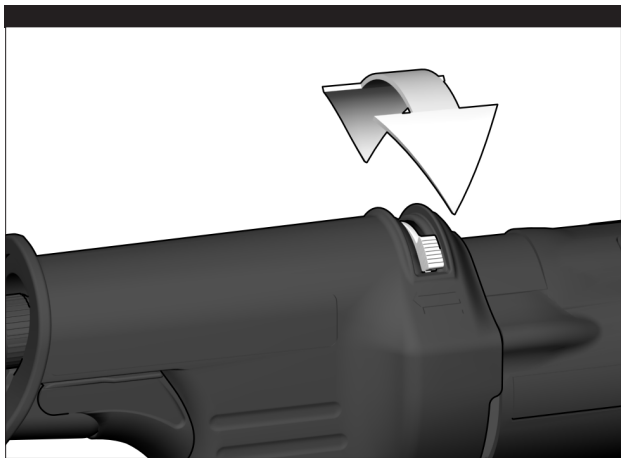
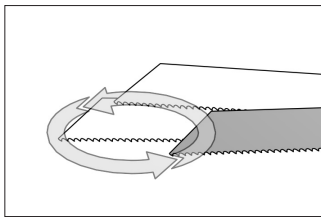


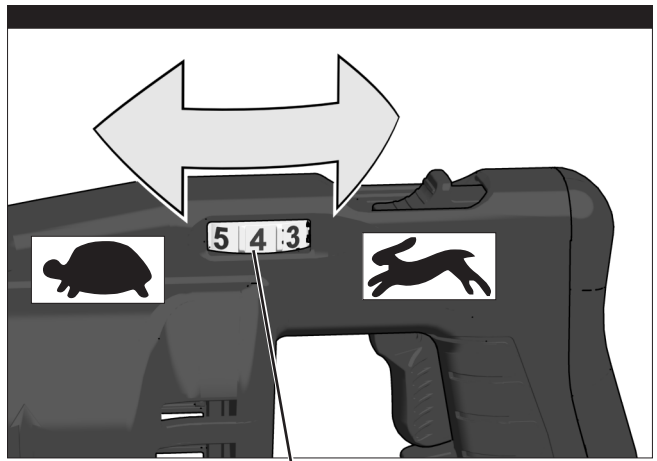
**2**


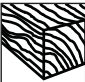
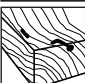

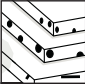





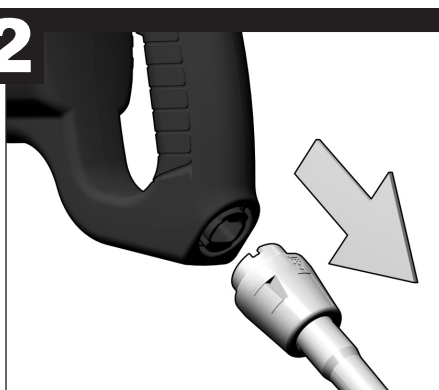
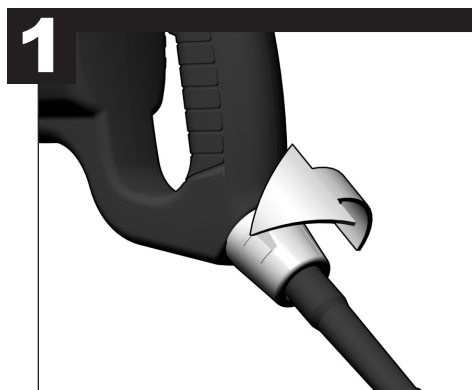
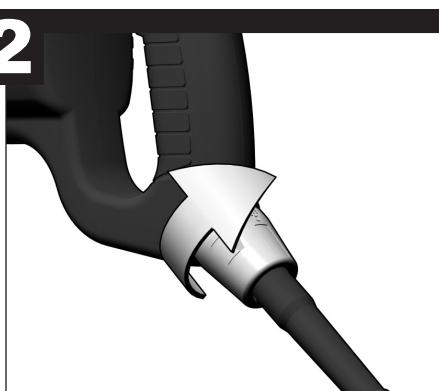
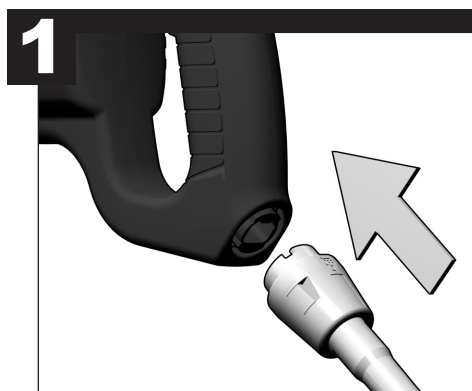
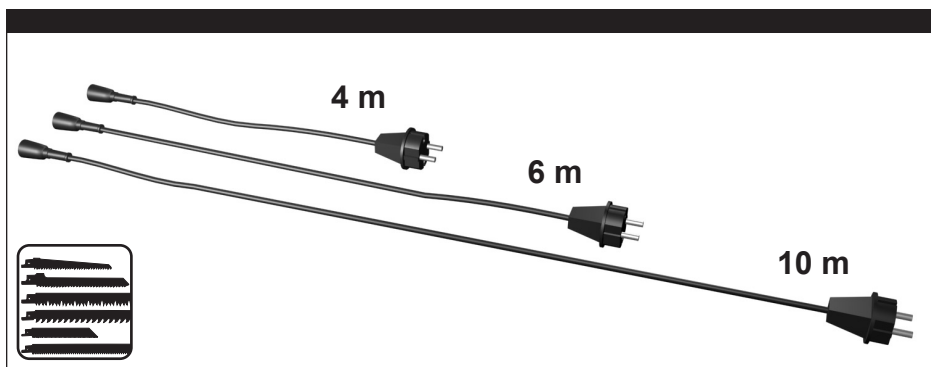
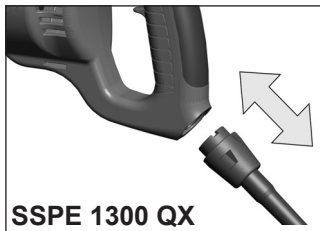
**3**

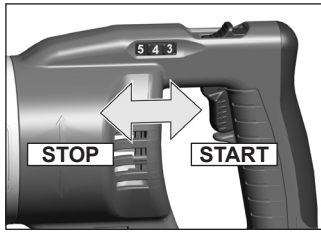




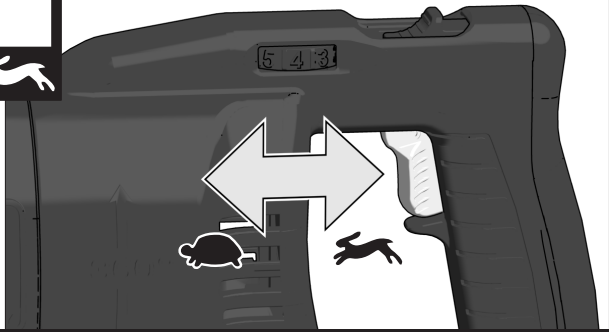
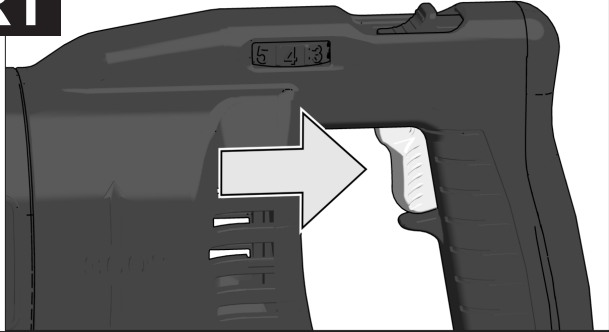


	<b>2-3</b>
	<b>5</b>
	<b>5</b>
	<b>1-3</b>
	<b>4-5</b>
	<b>1-3</b>
	<b>1-3</b>
	<b>2-3</b>



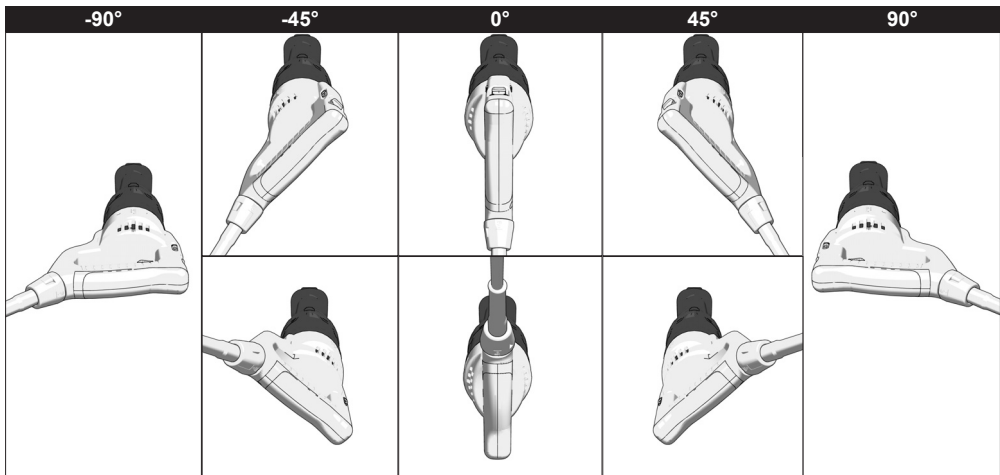
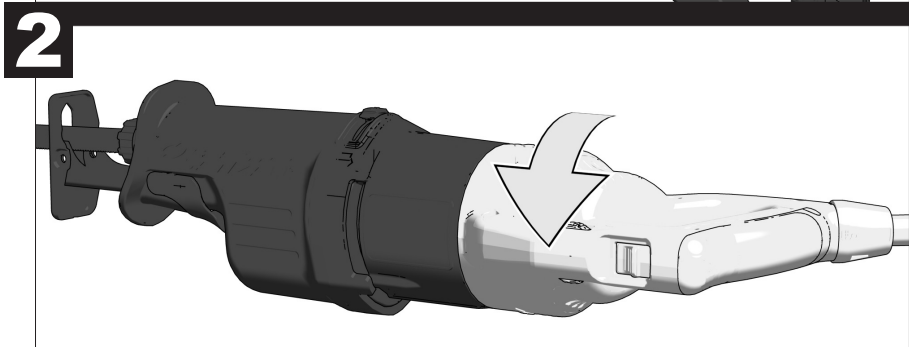
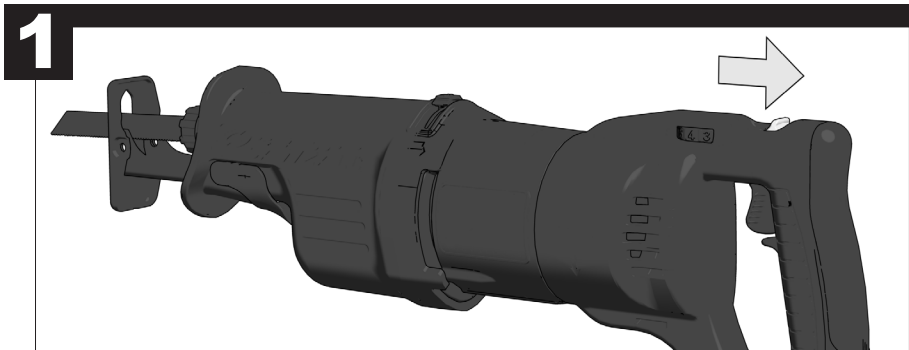
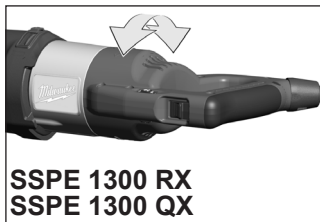


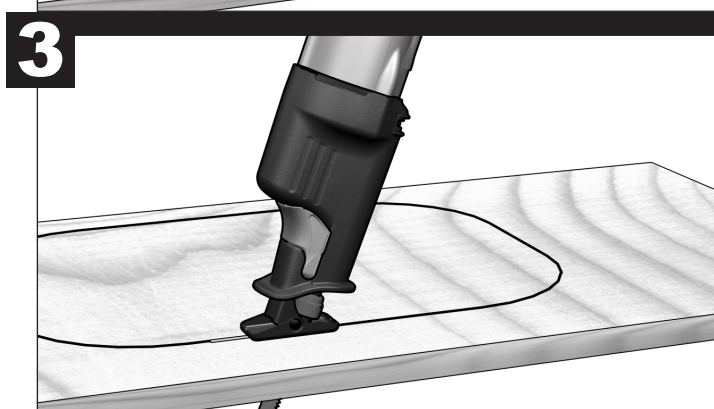
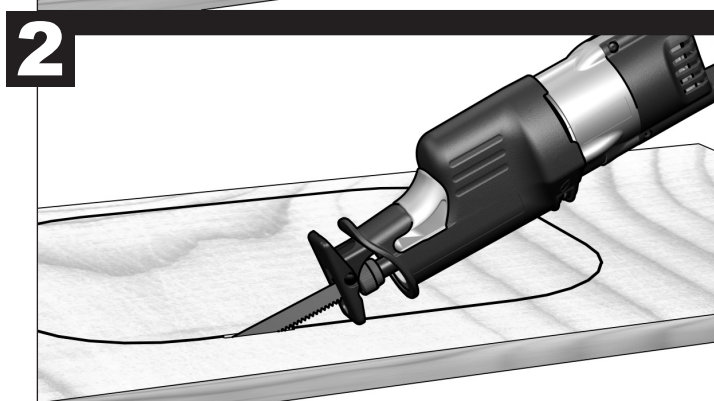
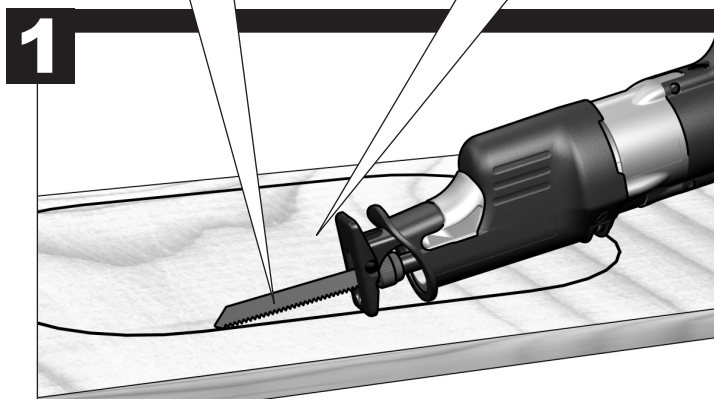
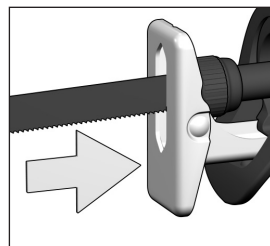
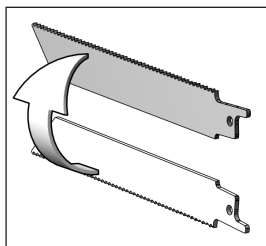
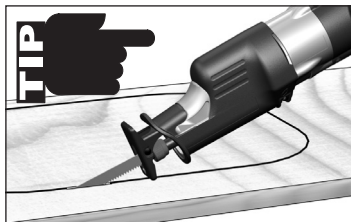
**START**



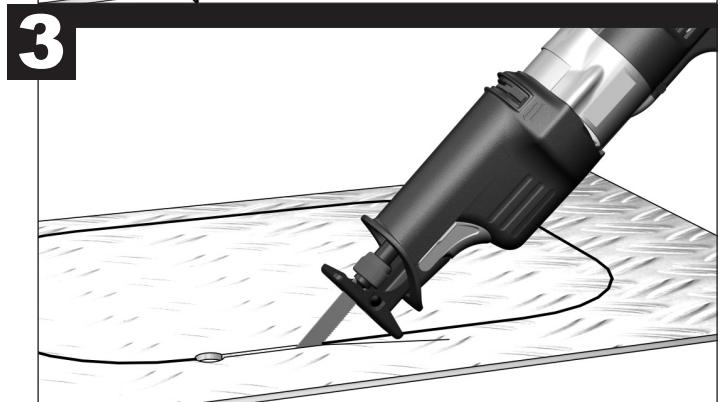
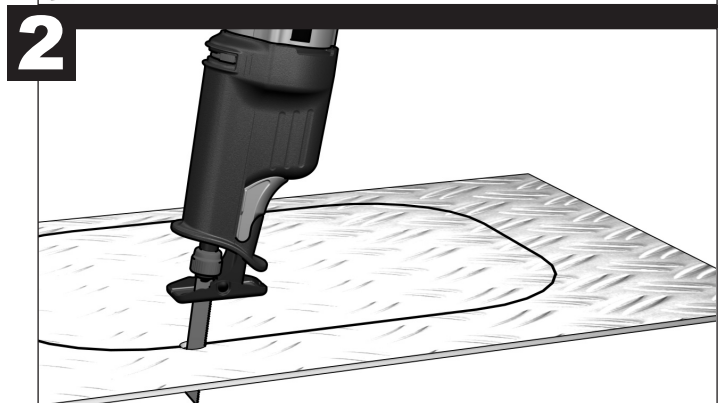
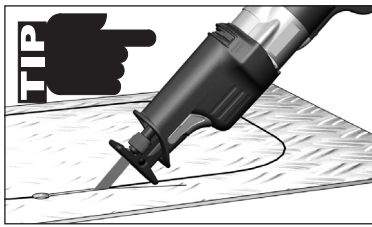
**STOP**











TECHNICAL DATA	Reciprocating Saw		SSPE 1300 QX		SSPE 1300 SX	
			220-240 V	110 V	220-240 V	110 V
Production code.....	3935 05 01...	3935 10 01...	4285 21 01...	4291 06 01...	000001-999999	000001-999999
Rated input .....	1300 W	1200 W	1300 W	1200 W	1300 W	1200 W
Output.....	600 W	600 W	600 W	600 W	600 W	600 W
Stroke rate under no-load.....	0-3000 min <sup>-1</sup>	0-3000 min <sup>-1</sup>	0-3000 min <sup>-1</sup>	0-3000 min <sup>-1</sup>	0-3000 min <sup>-1</sup>	0-3000 min <sup>-1</sup>
Stroke .....	32 mm	32 mm	32 mm	32 mm	32 mm	32 mm
Cutting depth max. in:						
Wood .....	300 mm	300 mm	300 mm	300 mm	300 mm	300 mm
Metal pipe / Profiles.....	250 mm	250 mm	250 mm	250 mm	250 mm	250 mm
Weight according EPTA-Procedure 01/2003.....	4,2 kg	4,2 kg	3,9 kg	3,9 kg	3,9 kg	3,9 kg

### Noise/vibration information

Measured values determined according to EN 60 745.

Typically, the A-weighted noise levels of the tool are:

Sound pressure level (K = 3 dB(A)) ..... 91 dB (A) ..... 91 dB (A) ..... 91 dB (A) ..... 91 dB (A)

Sound power level (K = 3 dB(A))..... 102 dB (A) ..... 102 dB (A) ..... 102 dB (A) ..... 102 dB (A)

### Wear ear protectors!

Total vibration values (vector sum in the three axes)

determined according to EN 60745.

Vibration emission value a<sub>v</sub>

Cutting boards ..... 14,5 m/s<sup>2</sup> ..... 14,5 m/s<sup>2</sup> ..... 14,5 m/s<sup>2</sup> ..... 14,5 m/s<sup>2</sup>

Uncertainty K= ..... 1,5 m/s<sup>2</sup> ..... 1,5 m/s<sup>2</sup> ..... 1,5 m/s<sup>2</sup> ..... 1,5 m/s<sup>2</sup>

Cutting wooden beams ..... 22,5 m/s<sup>2</sup> ..... 22,5 m/s<sup>2</sup> ..... 22,5 m/s<sup>2</sup> ..... 22,5 m/s<sup>2</sup>

Uncertainty K= ..... 1,5 m/s<sup>2</sup> ..... 1,5 m/s<sup>2</sup> ..... 1,5 m/s<sup>2</sup> ..... 1,5 m/s<sup>2</sup>

TECHNICAL DATA	Reciprocating Saw		SSPE 1300 RX		SSPE 1500 X	
			220-240 V	110 V	220-240 V	110 V
Production code.....	4405 91 01...	4289 01 01...	4291 46 01...	000001-999999	000001-999999	000001-999999
Rated input .....	1300 W	1500 W	1500 W	1300 W	1500 W	1500 W
Output.....	600 W	750 W	750 W	600 W	750 W	750 W
Stroke rate under no-load.....	0-3000 min <sup>-1</sup>	0-2800 min <sup>-1</sup>	0-2800 min <sup>-1</sup>	0-3000 min <sup>-1</sup>	0-2800 min <sup>-1</sup>	0-2800 min <sup>-1</sup>
Stroke .....	32 mm	32 mm	32 mm	32 mm	32 mm	32 mm
Cutting depth max. in:						
Wood .....	300 mm	300 mm	300 mm	300 mm	300 mm	300 mm
Metal pipe / Profiles.....	250 mm	250 mm	250 mm	250 mm	250 mm	250 mm
Weight according EPTA-Procedure 01/2003.....	4,2 kg	4,0 kg	4,0 kg	4,2 kg	4,0 kg	4,0 kg

### Noise/vibration information

Measured values determined according to EN 60 745.

Typically, the A-weighted noise levels of the tool are:

Sound pressure level (K = 3 dB(A)) ..... 91 dB (A) ..... 91 dB (A) ..... 91 dB (A)

Sound power level (K = 3 dB(A))..... 102 dB (A) ..... 102 dB (A) ..... 102 dB (A)

### Wear ear protectors!

Total vibration values (vector sum in the three axes)

determined according to EN 60745.

Vibration emission value a<sub>v</sub>

Cutting boards ..... 14,5 m/s<sup>2</sup> ..... 15,2 m/s<sup>2</sup> ..... 15,2 m/s<sup>2</sup>

Uncertainty K= ..... 1,5 m/s<sup>2</sup> ..... 1,6 m/s<sup>2</sup> ..... 1,6 m/s<sup>2</sup>

Cutting wooden beams ..... 22,5 m/s<sup>2</sup> ..... 19,9 m/s<sup>2</sup> ..... 19,9 m/s<sup>2</sup>

Uncertainty K= ..... 1,5 m/s<sup>2</sup> ..... 2,2 m/s<sup>2</sup> ..... 2,2 m/s<sup>2</sup>

### WARNING

The vibration emission level given in this information sheet has been measured in accordance with a standardised test given in EN 60745 and may be used to compare one tool with another. It may be used for a preliminary assessment of exposure.

The declared vibration emission level represents the main applications of the tool. However if the tool is used for different applications, with different accessories or poorly maintained, the vibration emission may differ. This may significantly increase the exposure level over the total working period.

An estimation of the level of exposure to vibration should also take into account the times when the tool is switched off or when it is running but not actually doing the job. This may significantly reduce the exposure level over the total working period.

Identify additional safety measures to protect the operator from the effects of vibration such as: maintain the tool and the accessories, keep the hands warm, organisation of work patterns.

**⚠ WARNING! Read all safety warnings and all instructions.** Failure to follow the warnings and instructions may result in electric shock, fire and/or serious injury.  
**Save all warnings and instructions for future reference.**

Winnenden, 2013-08-07



Alexander Krug  
Managing Director



Authorized to compile the technical file.

Techtronic Industries GmbH  
Max-Eyth-Straße 10  
71364 Winnenden  
Germany

## SAFETY INSTRUCTIONS

**Always wear ear protectors.** Exposure to noise can cause hearing loss.

**Hold power tool by insulated gripping surfaces, when performing an operation where the cutting accessory may contact hidden wiring or its own cord.** Cutting accessory contacting a "live" wire may make exposed metal parts of the power tool "live" and could give the operator an electric shock.

Appliances used at many different locations including open air must be connected via a current surge preventing switch.

Always wear goggles when using the machine. It is recommended to wear gloves, sturdy non slipping shoes and apron.

Sawdust and splinters must not be removed while the machine is running.

Always disconnect the plug from the socket before carrying out any work on the machine.

Only plug-in when machine is switched off.

Keep mains lead clear from working range of the machine. Always lead the cable away behind you.

The dust produced when using this tool may be harmful to health. Do not inhale the dust. Wear a suitable dust protection mask.

Do not use cracked or distorted saw blades.

Plunge cuts without pre-drilling a hole are possible with soft materials (wood, light building materials for walls). Harder materials (metals) must first be drilled with a hole corresponding to the size of the saw blade.

Always place the guide shoe on the workpiece when sawing.

When working in walls ceiling, or floor, take care to avoid electric cables and gas or waterpipes.

In extreme conditions of use (e.g. work in a humid environment, cutting pipes that may still contain liquid), it is absolutely essential to connect a residual-current-operated circuit breaker on the line side. If the circuit-breaker trips, the tool must be sent off for repair.

## SPECIFIED CONDITIONS OF USE

This sabre saw is intended to cut wood, plastic, and metal. It cuts curves and can cut flush to a surface.

Do not use this product in any other way as stated for normal use.

## EC-DECLARATION OF CONFORMITY

We declare under our sole responsibility that the product described under "Technical Data" fulfills all the relevant regulations and the directives 2011/65/EU (RoHs), 2006/42/EC, 2004/108/EC and the following harmonized standards have been used:

EN 60745-1:2009 + A11:2010

EN 60745-2-11:2010

EN 55014-1:2006 + A1:2009 + A2:2011

EN 55014-2:1997 + A1:2001 + A2:2008

EN 61000-3-2:2006 + A1:2009 + A2:2009

EN 61000-3-3:2008

## MAINS CONNECTION

Connect only to single-phase a.c. current and only to the system voltage indicated on the rating plate. It is also possible to connect to sockets without an earthing contact as the design conforms to safety class II.

## MAINTENANCE

The ventilation slots of the machine must be kept clear at all times.

Use only Milwaukee accessories and Milwaukee spare parts. Should components need to be replaced which have not been described, please contact one of our Milwaukee service agents (see our list of guarantee/ service addresses).

If needed, an exploded view of the tool can be ordered. Please state the machine type printed as well as the six-digit No. on the label and order the drawing at your local service agents or directly at: Techtronic Industries GmbH, Max-Eyth-Straße 10, 71364 Winnenden, Germany.

## SYMBOLS



Please read the instructions carefully before starting the machine.



Always disconnect the plug from the socket before carrying out any work on the machine.



Accessory - Not included in standard equipment, available as an accessory.



Do not dispose of electric tools together with household waste material! In observance of European Directive 2002/96/EC on waste electrical and electronic equipment and its implementation in accordance with national law, electric tools that have reached the end of their life must be collected separately and returned to an environmentally compatible recycling facility.



Class II construction, tool in which protection against electric shock does not rely on basic insulation only, but in which additional safety precautions, such as double insulation or reinforced insulation, are provided.

**TECHNISCHE DATEN**
**Säbelsäge**
**SSPE 1300 QX**  
**220-240 V 110 V**
**SSPE 1300 SX**  
**220-240 V 110 V**

Produktionsnummer .....	3935 05 01... ..3935 10 01... ..4285 21 01... ..4291 06 01...
	...000001-999999 ..000001-999999 ..000001-999999 ..000001-999999
Nennaufnahmeleistung.....	1300 W .....1200 W..... 1300 W .....1200 W
Abgabeleistung.....	600 W .....600 W..... 600 W .....600 W
Leerlaufhubzahl.....	0-3000 min <sup>-1</sup> .. 0-3000 min <sup>-1</sup> .. 0-3000 min <sup>-1</sup> ..0-3000 min <sup>-1</sup>
Hubhöhe.....	32 mm..... 32 mm..... 32 mm .....32 mm
Schnittiefe max. in:	
Holz.....	300 mm..... 300 mm..... 300 mm .....300 mm
Metallrohre / Profile.....	250 mm..... 250 mm..... 250 mm .....250 mm
Gewicht nach EPTA-Prozedur 01/2003.....	4,2 kg .....4,2 kg ..... 3,9 kg .....3,9 kg

**Geräusch/Vibrationsinformation**

Messwerte ermittelt entsprechend EN 60 745.

Der A-bewertete Geräuschpegel des Gerätes beträgt typischerweise:

Schalldruckpegel (K = 3 dB(A)).....	91 dB (A) .....91 dB (A)..... 91 dB (A) .....91 dB (A)
Schalleistungspegel (K = 3 dB(A)) .....	102 dB (A) .....102 dB (A)..... 102 dB (A) .....102 dB (A)

**Gehörschutz tragen!**

Schwingungsgesamtwerte (Vektorsumme dreier

Richtungen) ermittelt entsprechend EN 60745.

 Schwingungsemissionswert a<sub>n</sub>

Sägen von Holz:.....	14,5 m/s <sup>2</sup> ..... 14,5 m/s <sup>2</sup> ..... 14,5 m/s <sup>2</sup> ..... 14,5 m/s <sup>2</sup>
Unsicherheit K = .....	1,5 m/s <sup>2</sup> ..... 1,5 m/s <sup>2</sup> ..... 1,5 m/s <sup>2</sup> ..... 1,5 m/s <sup>2</sup>
Sägen von Holzbalken: .....	22,5 m/s <sup>2</sup> ..... 22,5 m/s <sup>2</sup> ..... 22,5 m/s <sup>2</sup> ..... 22,5 m/s <sup>2</sup>
Unsicherheit K = .....	1,5 m/s <sup>2</sup> ..... 1,5 m/s <sup>2</sup> ..... 1,5 m/s <sup>2</sup> ..... 1,5 m/s <sup>2</sup>

**TECHNISCHE DATEN**
**Säbelsäge**
**SSPE 1300 RX**  
**220-240 V**
**SSPE 1500 X**  
**220-240 V 110 V**

Produktionsnummer .....	4405 91 01... ..4289 01 01... ..4291 46 01...
	...000001-999999 ..000001-999999 ..000001-999999
Nennaufnahmeleistung.....	1300 W .....1500 W ..... 1500 W
Abgabeleistung.....	600 W .....750 W ..... 750 W
Leerlaufhubzahl.....	0-3000 min <sup>-1</sup> .....0-2800 min <sup>-1</sup> .....0-2800 min <sup>-1</sup>
Hubhöhe.....	32 mm..... 32 mm..... 32 mm
Schnittiefe max. in:	
Holz.....	300 mm.....300 mm .....300 mm
Metallrohre / Profile.....	250 mm..... 250 mm..... 250 mm
Gewicht nach EPTA-Prozedur 01/2003.....	4,2 kg .....4,0 kg .....4,0 kg

**Geräusch/Vibrationsinformation**

Messwerte ermittelt entsprechend EN 60 745.

Der A-bewertete Geräuschpegel des Gerätes beträgt typischerweise:

Schalldruckpegel (K = 3 dB(A)).....	91 dB (A) .....91 dB (A) ..... 91 dB (A)
Schalleistungspegel (K = 3 dB(A)) .....	102 dB (A) .....102 dB (A) ..... 102 dB (A)

**Gehörschutz tragen!**

Schwingungsgesamtwerte (Vektorsumme dreier

Richtungen) ermittelt entsprechend EN 60745.

 Schwingungsemissionswert a<sub>n</sub>

Sägen von Holz:.....	14,5 m/s <sup>2</sup> .....15,2 m/s <sup>2</sup> ..... 15,2 m/s <sup>2</sup>
Unsicherheit K = .....	1,5 m/s <sup>2</sup> ..... 1,6 m/s <sup>2</sup> ..... 1,6 m/s <sup>2</sup>
Sägen von Holzbalken: .....	22,5 m/s <sup>2</sup> ..... 19,9 m/s <sup>2</sup> ..... 19,9 m/s <sup>2</sup>
Unsicherheit K = .....	1,5 m/s <sup>2</sup> ..... 2,2 m/s <sup>2</sup> ..... 2,2 m/s <sup>2</sup>

**WARNUNG**

Der in diesen Anweisungen angegebene Schwingungspegel ist entsprechend einem in EN 60745 genormten Messverfahren gemessen worden und kann für den Vergleich von Elektrowerkzeugen miteinander verwendet werden. Er eignet sich auch für eine vorläufige Einschätzung der Schwingungsbelastung.

Der angegebene Schwingungspegel repräsentiert die hauptsächlichsten Anwendungen des Elektrowerkzeugs. Wenn allerdings das Elektrowerkzeug für andere Anwendungen, mit abweichenden Einsatzwerkzeugen oder ungenügender Wartung eingesetzt wird, kann der Schwingungspegel abweichen. Dies kann die Schwingungsbelastung über den gesamten Arbeitszeitraum deutlich erhöhen.

Für eine genaue Abschätzung der Schwingungsbelastung sollten auch die Zeiten berücksichtigt werden, in denen das Gerät abgeschaltet ist oder zwar läuft, aber nicht tatsächlich im Einsatz ist. Dies kann die Schwingungsbelastung über den gesamten Arbeitszeitraum deutlich reduzieren.

Legen Sie zusätzliche Sicherheitsmaßnahmen zum Schutz des Bedieners vor der Wirkung von Schwingungen fest wie zum Beispiel: Wartung von Elektrowerkzeug und Einsatzwerkzeugen, Warmhalten der Hände, Organisation der Arbeitsabläufe.

**⚠️ WARNUNG! Lesen Sie alle Sicherheitshinweise und Anweisungen.** Versäumnisse bei der Einhaltung der Sicherheitshinweise und Anweisungen können elektrischen Schlag, Brand und/oder schwere Verletzungen verursachen.  
**Bewahren Sie alle Sicherheitshinweise und Anweisungen für die Zukunft auf.**

### SPZIELLE SICHERHEITSHINWEISE

**Tragen Sie stets Gehörschutz.** Die Einwirkung von Lärm kann Gehörverlust bewirken.

**Halten Sie das Elektrowerkzeug an den isolierten Griffflächen, wenn Sie Arbeiten ausführen, bei denen das Einsatzwerkzeug verborgene Stromleitungen oder das eigene Netzkabel treffen kann.** Der Kontakt mit einer spannungsführenden Leitung kann auch metallene Geräteteile unter Spannung setzen und zu einem elektrischen Schlag führen.

Steckdosen in Außenbereichen müssen mit Fehlerstrom-Schutzschaltern ausgerüstet sein. Das verlangt die Installationsvorschrift für Ihre Elektroanlage. Bitte beachten Sie das bei der Verwendung unseres Gerätes.

Beim Arbeiten mit der Maschine stets Schutzbrille tragen. Schutzhandschuhe, festes und rutschsicheres Schuhwerk und Schürze werden empfohlen.

Späne oder Splitter dürfen bei laufender Maschine nicht entfernt werden.

Vor allen Arbeiten an der Maschine Stecker aus der Steckdose ziehen.

Maschine nur ausgeschaltet an die Steckdose anschließen.

Anschlusskabel stets vom Wirkungsbereich der Maschine fernhalten. Kabel immer nach hinten von der Maschine wegführen.

Beim Arbeiten entstehender Staub ist oft gesundheitsschädlich und sollte nicht in den Körper gelangen. Geeignete Staubschutzmaske tragen.

Rissige Sägeblätter oder solche, die ihre Form verändert haben, dürfen nicht verwendet werden!

Tauchsägen ist nur in weichen Materialien (Holz, Leichtbaustoffe für Wände) möglich, bei härteren Materialien (Metalle) muss eine dem Sägeblatt entsprechend große Bohrung angebracht werden.

Führungsbügel beim Sägen immer am Werkstück anlegen.

Beim Arbeiten in Wand, Decke oder Fußboden auf elektrische Kabel, Gas- und Wasserleitungen achten.

Bei extremen Einsatzbedingungen (z.B. Arbeiten in feuchter Umgebung, Trennen von Rohren die noch Flüssigkeit enthalten können) ist während das Vorschalten eines Fehlerstrom- (FI) Schutzschalters erforderlich. Nach Ansprechen des FI-Schutzschalters muss die Maschine zur Reparatur eingesandt werden.

### BESTIMMUNGSGEMÄË VERWENDUNG

Die Säbelsäge sägt Holz, Kunststoff und Metall. Sie schneidet Geraden, Kurven und Innenausschnitte. Sie schneidet Rohre und trennt flächenbündig ab.

Dieses Gerät darf nur wie angegeben bestimmungsgemäß verwendet werden.

### CE-KONFORMITÄTSERKLÄRUNG

Wir erklären in alleiniger Verantwortung, dass das unter „Technische Daten“ beschriebene Produkt mit allen relevanten Vorschriften der Richtlinie 2011/65/EU (RoHS), 2006/42/EG, 2004/108/EG und den folgenden harmonisierten normativen Dokumenten übereinstimmt:

EN 60745-1:2009 + A11:2010

EN 60745-2-11:2010

EN 55014-1:2006 + A1:2009 + A2:2011

EN 55014-2:1997 + A1:2001 + A2:2008  
EN 61000-3-2:2006 + A1:2009 + A2:2009  
EN 61000-3-3:2008

Winnenden, 2013-08-07

*Alexander Krug*

Alexander Krug  
Managing Director



Bevollmächtigt die technischen Unterlagen zusammenzustellen

Techtronic Industries GmbH  
Max-Eyth-Straße 10  
71364 Winnenden  
Germany

### NETZANSCHLUSS

Nur an Einphasen-Wechselstrom und nur an die auf dem Leistungsschild angegebene Netzspannung anschließen. Anschluss ist auch an Steckdosen ohne Schutzkontakt möglich, da ein Aufbau der Schutzklasse II vorliegt.

### WARTUNG

Stets die Lüftungsschlitze der Maschine sauber halten.

Nur Milwaukee Zubehör und Milwaukee Ersatzteile verwenden. Bauteile, deren Austausch nicht beschrieben wurde, bei einer Milwaukee Kundendienststelle auswechseln lassen (Broschüre Garantie/Kundendienstadressen beachten).

Bei Bedarf kann eine Explosionszeichnung des Gerätes unter Angabe der Maschinen Type und der sechsstelligen Nummer auf dem Leistungsschild bei Ihrer Kundendienststelle oder direkt bei Techtronic Industries GmbH, Max-Eyth-Straße 10, 71364 Winnenden, Germany angefordert werden.

### SYMBOLE



Bitte lesen Sie die Gebrauchsanweisung vor Inbetriebnahme sorgfältig durch.



Vor allen Arbeiten an der Maschine Stecker aus der Steckdose ziehen.



Zubehör - Im Lieferumfang nicht enthalten, empfohlene Ergänzung aus dem Zubehörprogramm.



Werfen Sie Elektrowerkzeuge nicht in den Hausmüll! Gemäss Europäischer Richtlinie 2002/96/EG über Elektro- und Elektronik-Altgeräte und Umsetzung in nationales Recht müssen verbrauchte Elektrowerkzeuge getrennt gesammelt und einer umweltgerechten Wiederverwertung zugeführt werden.



Schutzklasse II, Elektrowerkzeug, bei dem der Schutz gegen elektrischen Schlag nicht nur von der Basisisolierung abhängt, sondern in dem zusätzliche Schutzmaßnahmen, wie doppelte Isolierung oder verstärkte Isolierung, angewendet werden

CARACTÉRISTIQUES TECHNIQUES	Scie Sabre	SSPE 1300 QX		SSPE 1300 SX	
		220-240 V	110 V	220-240 V	110 V
Numéro de série.....		3935 05 01.....	3935 10 01.....	4285 21 01.....	4291 06 01.....
		...000001-999999	...000001-999999	...000001-999999	...000001-999999
Puissance nominale de réception.....		1300 W	1200 W	1300 W	1200 W
Puissance utile.....		600 W	600 W	600 W	600 W
Nombre de courses à vide.....		0-3000 min <sup>-1</sup>	0-3000 min <sup>-1</sup>	0-3000 min <sup>-1</sup>	0-3000 min <sup>-1</sup>
Hauteur de la course.....		32 mm	32 mm	32 mm	32 mm
Profondeur de coupe max.:					
Bois.....		300 mm	300 mm	300 mm	300 mm
Tubes métalliques / Profilés.....		250 mm	250 mm	250 mm	250 mm
Poids suivant EPTA-Procédure 01/2003		4,2 kg	4,2 kg	3,9 kg	3,9 kg

#### Informations sur le bruit et les vibrations

Valeurs de mesure obtenues conformément à la EN 60 745.

Les mesures réelles (A) des niveaux acoustiques de

l'appareil sont :

Niveau de pression acoustique (K=3 dB(A)).....	91 dB (A)	91 dB (A)	91 dB (A)	91 dB (A)
Niveau d'intensité acoustique (K=3 dB(A)).....	102 dB (A)	102 dB (A)	102 dB (A)	102 dB (A)

#### Toujours porter une protection acoustique!

Valeurs totales des vibrations (somme vectorielle de trois

sens) établies conformément à EN 60745.

Valeur d'émission vibratoire a<sub>v</sub>

Découpe de poutres en bois.....	14,5 m/s <sup>2</sup>	14,5 m/s <sup>2</sup>	14,5 m/s <sup>2</sup>	14,5 m/s <sup>2</sup>
Incertitude K.....	1,5 m/s <sup>2</sup>	1,5 m/s <sup>2</sup>	1,5 m/s <sup>2</sup>	1,5 m/s <sup>2</sup>
Sciage du panneaux de particules.....	22,5 m/s <sup>2</sup>	22,5 m/s <sup>2</sup>	22,5 m/s <sup>2</sup>	22,5 m/s <sup>2</sup>
Incertitude K.....	1,5 m/s <sup>2</sup>	1,5 m/s <sup>2</sup>	1,5 m/s <sup>2</sup>	1,5 m/s <sup>2</sup>

CARACTÉRISTIQUES TECHNIQUES	Scie Sabre	SSPE 1300 RX		SSPE 1500 X	
		220-240 V	110 V	220-240 V	110 V
Numéro de série.....		4405 91 01.....	4289 01 01.....	4291 06 01.....	
		...000001-999999	...000001-999999	...000001-999999	
Puissance nominale de réception.....		1300 W	1500 W	1500 W	
Puissance utile.....		600 W	750 W	750 W	
Nombre de courses à vide.....		0-3000 min <sup>-1</sup>	0-2800 min <sup>-1</sup>	0-2800 min <sup>-1</sup>	
Hauteur de la course.....		32 mm	32 mm	32 mm	
Profondeur de coupe max.:					
Bois.....		300 mm	300 mm	300 mm	
Tubes métalliques / Profilés.....		250 mm	250 mm	250 mm	
Poids suivant EPTA-Procédure 01/2003		4,2 kg	4,0 kg	4,0 kg	

#### Informations sur le bruit et les vibrations

Valeurs de mesure obtenues conformément à la EN 60 745.

Les mesures réelles (A) des niveaux acoustiques de

l'appareil sont :

Niveau de pression acoustique (K=3 dB(A)).....	91 dB (A)	91 dB (A)	91 dB (A)
Niveau d'intensité acoustique (K=3 dB(A)).....	102 dB (A)	102 dB (A)	102 dB (A)

#### Toujours porter une protection acoustique!

Valeurs totales des vibrations (somme vectorielle de trois

sens) établies conformément à EN 60745.

Valeur d'émission vibratoire a<sub>v</sub>

Découpe de poutres en bois.....	14,5 m/s <sup>2</sup>	15,2 m/s <sup>2</sup>	15,2 m/s <sup>2</sup>
Incertitude K.....	1,5 m/s <sup>2</sup>	1,6 m/s <sup>2</sup>	1,6 m/s <sup>2</sup>
Sciage du panneaux de particules.....	22,5 m/s <sup>2</sup>	19,9 m/s <sup>2</sup>	19,9 m/s <sup>2</sup>
Incertitude K.....	1,5 m/s <sup>2</sup>	2,2 m/s <sup>2</sup>	2,2 m/s <sup>2</sup>

#### AVERTISSEMENT

Le niveau vibratoire indiqué dans ces instructions a été mesuré selon un procédé de mesure normalisé dans la norme EN 60745 et peut être utilisé pour comparer des outils électriques entre eux. Il convient aussi à une estimation provisoire de la sollicitation par les vibrations.

Le niveau vibratoire indiqué représente les applications principales de l'outil électrique. Toutefois, si l'outil électrique est utilisé pour d'autres applications, avec des outils rapportés qui diffèrent ou une maintenance insuffisante, il se peut que le niveau vibratoire diverge. Cela peut augmenter nettement la sollicitation par les vibrations sur tout l'intervalle de temps du travail.

Pour une estimation précise de la sollicitation par les vibrations, on devrait également tenir compte des temps pendant lesquels l'appareil n'est pas en marche ou tourne sans être réellement en service. Cela peut réduire nettement la sollicitation par les vibrations sur tout l'intervalle de temps du travail.

Définissez des mesures de sécurité supplémentaires pour protéger l'utilisateur contre l'influence des vibrations, comme par exemple : la maintenance de l'outil électrique et des outils rapportés, le maintien au chaud des mains, l'organisation des déroulements de travail.

**⚠ AVIS! Lire complètement les instructions et les indications de sécurité.** Le non-respect des avertissements et instructions indiqués ci après peut entraîner un choc électrique, un incendie et/ou de graves blessures sur les personnes.

**Bien garder tous les avertissements et instructions.**

## INSTRUCTIONS DE SÉCURITÉ

**Portez une protection acoustique.** L'influence du bruit peut provoquer la surdité.

**Maintenez l'appareil par les surfaces de poignée isolées lorsque vous exécutez des travaux pendant lesquels l'outil de coupe peut toucher des lignes électriques dissimulées ou le propre câble.** Le contact avec un câble sous tension met les parties métalliques de l'appareil sous tension et provoque une décharge électrique.

Les prises de courant se trouvant à l'extérieur doivent être équipées de disjoncteurs de protection, répondant ainsi à la prescription de mise en place de votre installation électrique. Veuillez, d'une part, en tenir compte lors de l'utilisation de notre appareil et d'autre part, en parler à votre électricien.

Toujours porter des lunettes protectrices lorsqu'on travaille avec la machine. Des gants de sécurité et un masque de protection sont recommandés.

Ne jamais enlever les copeaux ni les éclats lorsque la machine est en marche.

Avant tous travaux sur la machine extraire la fiche de la prise de courant.

Ne raccorder la machine au réseau que si l'interrupteur est en position arrêt.

Le câble d'alimentation doit toujours se trouver en dehors du champ d'action de la machine. Toujours maintenir le câble d'alimentation à l'arrière de la machine.

Les poussières qui sont délogées pendant les travaux sont souvent nocives pour la santé et ne devraient pas pénétrer dans le corps. Porter un masque de protection approprié contre les poussières.

Ne pas utiliser de lames de scie fissurées ou déformées.

Le sciage en plongée n'est possible que dans des matériaux tendres (bois, matériaux de construction légers pour les murs). Si les matériaux sont plus durs (métaux), une percée plus importante doit être faite au moyen de la lame.

Toujours appuyer l'étrier de guidage sur la pièce à travailler.

Lors du perçage dans les murs, les plafonds ou les planchers, toujours faire attention aux câbles électriques et aux conduites de gaz et d'eau.

Le montage en amont d'un interrupteur de protection contre les courants de courts-circuit est absolument nécessaire dans le cas de conditions d'utilisation extrêmes (par exemple, des travaux dans un environnement humide, le sectionnement de tuyauteries qui peuvent encore contenir du liquide). La machine doit être expédiée au service de réparations si cet interrupteur de protection contre les courants de courts-circuit s'est déclenché.

## UTILISATION CONFORME AUX PRESCRIPTIONS

La scie sabre permet de scier du bois, des matières synthétiques et des métaux. Elle scie des courbes et sépare en laissant des surfaces tout à fait planes.

Comme déjà indiqué, cette machine n'est conçue que pour une utilisation normale.

## DECLARATION "CE DE CONFORMITÉ

Nous déclarons sous notre seule responsabilité que le produit décrit sous « Caractéristiques techniques » concorde avec toutes les consignes pertinentes de la directive 2011/65 EU (RoHS), 2006/42/CE, 2004/108/CE et les documents normatifs harmonisés suivants :

EN 60745-1:2009 + A11:2010

EN 60745-2-11:2010

EN 55014-1:2006 + A1:2009 + A2:2011

EN 55014-2:1997 + A1:2001 + A2:2008

EN 61000-3-2:2006 + A1:2009 + A2:2009

EN 61000-3-3:2008

Winnenden, 2013-08-07



Alexander Krug  
Managing Director



Autorisé à compiler la documentation technique.

Techronic Industries GmbH  
Max-Eyth-Straße 10  
71364 Winnenden  
Germany

## BRANCHEMENT SECTEUR

Raccorder uniquement à un courant électrique monophasé et uniquement à la tension secteur indiquée sur la plaque signalétique. Le raccordement à des prises de courant sans contact de protection est également possible car la classe de protection II est donnée.

## ENTRETIEN

Tenir toujours propre les orifices de ventilation de la partie moteur.

Utiliser uniquement les accessoires Milwaukee et les pièces détachées Milwaukee. Faire remplacer les composants dont le remplacement n'a pas été décrit, par un des centres de service après-vente Milwaukee (observer la brochure avec les adresses de garantie et de service après-vente).

En cas de besoin il est possible de demander un dessin éclaté du dispositif en indiquant le modèle de la machine et le numéro de six chiffres imprimé sur la plaquette de puissance et en s'adressant au centre d'assistance technique ou directement à Techronic Industries GmbH, Max-Eyth-Straße 10, 71364 Winnenden, Germany.

## SYMBOLS



Veillez lire avec soin le mode d'emploi avant la mise en service



Avant tous travaux sur la machine extraire la fiche de la prise de courant.



Accessoire - Ces pièces ne font pas partie de la livraison. Il s'agit là de compléments proposés pour votre machine et énumérés dans le catalogue d'accessoires.



Ne pas jeter les appareils électriques dans les ordures ménagères! Conformément à la directive européenne 2002/96/EG relative aux déchets d'équipements électriques ou électroniques (DEEE), et à sa transposition dans la législation nationale, les appareils électriques doivent être collectés à part et être soumis à un recyclage respectueux de l'environnement.



Classe de protection II, outil électrique au niveau duquel la protection contre la foudre ne dépend pas uniquement de l'isolation de base et au niveau duquel des mesures de protection ultérieures ont été prises, telles que la double isolation ou l'isolation augmentée.

DATI TECNICI	Sega dritta		SSPE 1300 QX		SSPE 1300 SX	
	220-240 V	110 V	220-240 V	110 V	220-240 V	110 V
Numero di serie .....	3935 05 01... ..00001-999999	3935 10 01... ..00001-999999	4285 21 01... ..00001-999999	4291 06 01... ..00001-999999		
Potenza assorbita nominale .....	1300 W	1200 W	1300 W	1200 W		
Potenza erogata .....	600 W	600 W	600 W	600 W		
Numero di corse a vuoto .....	0-3000 min <sup>-1</sup>	0-3000 min <sup>-1</sup>	0-3000 min <sup>-1</sup>	0-3000 min <sup>-1</sup>		
Altezza corsa .....	32 mm	32 mm	32 mm	32 mm		
Massima profondità di taglio nel:						
Legno .....	300 mm	300 mm	300 mm	300 mm		
Tubi metallici / profili .....	250 mm	250 mm	250 mm	250 mm		
Peso secondo la procedura EPTA 01/2003 .....	4,2 kg	4,2 kg	3,9 kg	3,9 kg		

#### Informazioni sulla rumorosità/sulle vibrazioni

Valori misurati conformemente alla norma EN 60 745.

La misurazione A del livello di pressione acustica dell'utensile è di solito di:

Potenza della rumorosità (K=3 dB(A)) .....	91 dB (A)	91 dB (A)	91 dB (A)	91 dB (A)
Livello di rumorosità (K=3 dB(A)) .....	102 dB (A)	102 dB (A)	102 dB (A)	102 dB (A)

#### Utilizzare le protezioni per l'udito!

Valori totali delle oscillazioni (somma di vettori in tre direzioni) misurati conformemente alla norma EN 60745

Valore di emissione dell'oscillazione a<sub>n</sub>

Taglio di travi di legno .....	14,5 m/s <sup>2</sup>	14,5 m/s <sup>2</sup>	14,5 m/s <sup>2</sup>	14,5 m/s <sup>2</sup>
Incertezza della misura K .....	1,5 m/s <sup>2</sup>	1,5 m/s <sup>2</sup>	1,5 m/s <sup>2</sup>	1,5 m/s <sup>2</sup>
Segatura di nel legno ricostituito .....	22,5 m/s <sup>2</sup>	22,5 m/s <sup>2</sup>	22,5 m/s <sup>2</sup>	22,5 m/s <sup>2</sup>
Incertezza della misura K .....	1,5 m/s <sup>2</sup>	1,5 m/s <sup>2</sup>	1,5 m/s <sup>2</sup>	1,5 m/s <sup>2</sup>

DATI TECNICI	Sega dritta		SSPE 1300 RX		SSPE 1500 X	
	220-240 V	110 V	220-240 V	110 V	220-240 V	110 V
Numero di serie .....	4405 91 01... ..00001-999999	4289 01 01... ..00001-999999	4291 46 01... ..00001-999999			
Potenza assorbita nominale .....	1300 W	1500 W	1500 W	1500 W		
Potenza erogata .....	600 W	750 W	750 W	750 W		
Numero di corse a vuoto .....	0-3000 min <sup>-1</sup>	0-2800 min <sup>-1</sup>	0-2800 min <sup>-1</sup>	0-2800 min <sup>-1</sup>		
Altezza corsa .....	32 mm	32 mm	32 mm	32 mm		
Massima profondità di taglio nel:						
Legno .....	300 mm	300 mm	300 mm	300 mm		
Tubi metallici / profili .....	250 mm	250 mm	250 mm	250 mm		
Peso secondo la procedura EPTA 01/2003 .....	4,2 kg	4,0 kg	4,0 kg	4,0 kg		

#### Informazioni sulla rumorosità/sulle vibrazioni

Valori misurati conformemente alla norma EN 60 745.

La misurazione A del livello di pressione acustica dell'utensile è di solito di:

Potenza della rumorosità (K=3 dB(A)) .....	91 dB (A)	91 dB (A)	91 dB (A)
Livello di rumorosità (K=3 dB(A)) .....	102 dB (A)	102 dB (A)	102 dB (A)

#### Utilizzare le protezioni per l'udito!

Valori totali delle oscillazioni (somma di vettori in tre direzioni) misurati conformemente alla norma EN 60745

Valore di emissione dell'oscillazione a<sub>n</sub>

Taglio di travi di legno .....	14,5 m/s <sup>2</sup>	15,2 m/s <sup>2</sup>	15,2 m/s <sup>2</sup>
Incertezza della misura K .....	1,5 m/s <sup>2</sup>	1,6 m/s <sup>2</sup>	1,6 m/s <sup>2</sup>
Segatura di nel legno ricostituito .....	22,5 m/s <sup>2</sup>	19,9 m/s <sup>2</sup>	19,9 m/s <sup>2</sup>
Incertezza della misura K .....	1,5 m/s <sup>2</sup>	2,2 m/s <sup>2</sup>	2,2 m/s <sup>2</sup>

#### AVVERTENZA

Il livello di vibrazioni indicato nelle presenti istruzioni è stato misurato in conformità con un procedimento di misurazione codificato nella EN 60745 e può essere utilizzato per un confronto tra attrezzi elettrici. Inoltre si può anche utilizzare per una valutazione preliminare della sollecitazione da vibrazioni.

Il livello di vibrazioni indicato rappresenta le applicazioni principali dell'attrezzo elettrico. Se viceversa si utilizza l'attrezzo elettrico per altri scopi, con accessori differenti o con una manutenzione insufficiente, il livello di vibrazioni può risultare diverso. E questo può aumentare decisamente la sollecitazione da vibrazioni lungo l'intero periodo di lavorazione.

Ai fini di una valutazione precisa della sollecitazione da vibrazioni si dovrebbero tenere presente anche i periodi in cui l'apparecchio rimane spento oppure, anche se acceso, non viene effettivamente utilizzato. Ciò può ridurre notevolmente la sollecitazione da vibrazioni lungo l'intero periodo di lavorazione.

Stabilite misure di sicurezza supplementari per la tutela dell'operatore dall'effetto delle vibrazioni, come ad esempio: manutenzione dell'attrezzo elettrico e degli accessori, riscaldamento delle mani, organizzazione dei processi di lavoro.



**AVVERTENZA!** Leggere tutte le istruzioni ed indicazioni di sicurezza. In caso di mancato rispetto delle avvertenze di pericolo e delle istruzioni operative si potrà creare il pericolo di scosse elettriche, incendi e/o incidenti gravi.  
**Conservare tutte le avvertenze di pericolo e le istruzioni operative per ogni esigenza futura.**

## NORME DI SICUREZZA

**Indossare protezioni acustiche adeguate.**  
L'esposizione prolungata al rumore senza protezione può causare danni all'udito.

**Impugnare l'apparecchio sulle superfici di tenuta isolate mentre si eseguono lavori durante i quali l'utensile da taglio potrebbe entrare in contatto con cavi di corrente o con il proprio cavo d'alimentazione.** In caso di contatto con una linea portatrice di tensione anche le parti metalliche della macchina vengono sottoposte a tensione provocando una scossa di corrente elettrica.

Gli apparecchi mobili usati all'aperto devono essere collegati interponendo un interruttore di sicurezza per guasti di corrente.

Durante l'uso dell'apparecchio utilizzare sempre gli occhiali di protezione. Inoltre si consiglia di usare sistemi di protezione per la respirazione e per l'udito, oltre ai guanti di protezione.

Non rimuovere trucioli o schegge mentre l'utensile è in funzione.

Prima di effettuare qualsiasi lavoro sulla macchina togliere la spina dalla presa di corrente.

Inserire la spina solo con interruttore su posizione "OFF".

Tenere sempre lontano il cavo di collegamento dall'area di lavoro dell'attrezzo.

La polvere che si produce durante il lavoro è spesso dannosa per la salute e non dovrebbe essere aspirata. Portare un'adeguata mascherina protettiva.

Non devono essere utilizzate né lame incrinata né lame la cui forma abbia subito alterazioni.

E' possibile effettuare tagli ad immersione solo nei materiali dolci (legno, materiali per costruzione leggera) per i materiali (metalli) duri è invece necessario praticare un foro adatto alle dimensioni della lama.

Segando, posizionare sempre la staffa di guida sul pezzo da lavorare.

Forando pareti, soffitti o pavimenti, si faccia attenzione ai cavi elettrici e alle condutture dell'acqua e del gas.

In condizioni di utilizzo estreme (ad es. lavori in ambienti umidi, troncatura di tubi che possono contenere ancora del liquido), è assolutamente necessario inserire a monte un interruttore differenziale con corrente di dispersione. Se scatta l'interruttore di sicurezza per corrente di guasto bisogna inviare la macchina per la riparazione.

## UTILIZZO CONFORME

Questo sega diritta può essere utilizzato per lavorare legno, materiale sintetico e acciaio: per effettuare tagli dritti e obliqui, curve e per tagli all'interno del materiale.

Utilizzare il prodotto solo per l'uso per cui è previsto.

## DICHIARAZIONE DI CONFORMITÀ CE

Dichiariamo sotto la nostra esclusiva responsabilità che il prodotto descritto ai "Dati tecnici" corrisponde a tutte le disposizioni delle direttive 2011/65/EU (RoHS), 2006/42/CE, 2004/108/CE e successivi documenti normativi armonizzati:

EN 60745-1:2009 + A11:2010

EN 60745-2-11:2010

EN 55014-1:2006 + A1:2009 + A2:2011

EN 55014-2:1997 + A1:2001 + A2:2008

EN 61000-3-2:2006 + A1:2009 + A2:2009

EN 61000-3-3:2008

Winnenden, 2013-08-07

Alexander Krug  
Managing Director



Autorizzato alla preparazione della documentazione tecnica

Techtronic Industries GmbH  
Max-Eyth-Straße 10  
71364 Winnenden  
Germany

## COLLEGAMENTO ALLA RETE

Connettere solo corrente alternata mono fase e solo al sistema di voltaggio indicato sulla piastra. E' possibile anche connettere la presa senza un contatto di messa a terra così come prevede lo schema conforme alla norme di sicurezza di classe II.

## MANUTENZIONE

Tener sempre ben pulite le fessure di ventilazione dell'apparecchio.

Usare solo accessori Milwaukee e pezzi di ricambio Milwaukee. Gruppi costruttivi la cui sostituzione non è stata descritta, devono essere fatti cambiare da un punto di servizio di assistenza tecnica al cliente Milwaukee (vedi depliant garanzia/indirizzi assistenza tecnica ai clienti).

In caso di necessità è possibile richiedere un disegno esplosò del dispositivo indicando il modello della macchina ed il numero a sei cifre sulla targa di potenza rivolgendosi al centro di assistenza tecnica o direttamente a Techtronic Industries GmbH, Max-Eyth-Straße 10, 71364 Winnenden, Germany.

## SIMBOLI



Leggere attentamente le istruzioni per l'uso prima di mettere in funzione l'elettro utensile.



Prima di effettuare qualsiasi lavoro sulla macchina togliere la spina dalla presa di corrente.



Accessorio - Non incluso nella dotazione standard, disponibile a parte come accessorio.



Non gettare le apparecchiature elettriche tra i rifiuti domestici. Secondo la Direttiva Europea 2002/96/CE sui rifiuti di apparecchiature elettriche ed elettroniche e la sua attuazione in conformità alle norme nazionali, le apparecchiature elettriche esauste devono essere accolte separatamente, al fine di essere reimpiagate in modo eco-compatibile.



Classe di protezione II, utensile elettrico sul quale la protezione contro la folgorazione elettrica non dipende soltanto dall'isolamento di base e sul quale trovano applicazione ulteriori misure di protezione, come il doppio isolamento o l'isolamento maggiorato.

DATOS TÉCNICOS	Sierra Sable		SSPE 1300 QX		SSPE 1300 SX	
			220-240 V	110 V	220-240 V	110 V
Número de producción .....	3935 05 01...	3935 10 01...	4285 21 01...	4291 06 01...	000001-999999	000001-999999
Potencia de salida nominal.....	1300 W	1200 W	1300 W	1200 W	600 W	600 W
potencia entregada.....	600 W	600 W	600 W	600 W	0-3000 min <sup>-1</sup>	0-3000 min <sup>-1</sup>
Nº de carreras en vacío.....	32 mm	32 mm	32 mm	32 mm	300 mm	300 mm
Carrera .....	300 mm	300 mm	300 mm	300 mm	250 mm	250 mm
Profundidad de corte máx. en:					4,2 kg	4,2 kg
Madera .....					3,9 kg	3,9 kg
Tubos metálicos / perfiles .....						
Peso de acuerdo con el procedimiento EPTA 01/2003 .....						

#### Información sobre ruidos / vibraciones

Determinación de los valores de medición según norma EN 60 745.

El nivel de ruido típico del aparato determinado con un

filtro A corresponde a:

Resonancia acústica (K = 3 dB(A)).....91 dB (A) .....91 dB (A)..... 91 dB (A).....91 dB (A)

Presión acústica (K = 3 dB(A)).....102 dB (A) .....102 dB (A)..... 102 dB (A).....102 dB (A)

#### Usar protectores auditivos!

Nivel total de vibraciones (suma vectorial de tres

direcciones) determinado según EN 60745.

Valor de vibraciones generadas a<sub>h</sub>

Corte de vigas de madera .....14,5 m/s<sup>2</sup> .....14,5 m/s<sup>2</sup> ..... 14,5 m/s<sup>2</sup> .....14,5 m/s<sup>2</sup>

Tolerancia K.....1,5 m/s<sup>2</sup> .....1,5 m/s<sup>2</sup> ..... 1,5 m/s<sup>2</sup> .....1,5 m/s<sup>2</sup>

Aserrado de cartón .....22,5 m/s<sup>2</sup> .....22,5 m/s<sup>2</sup> ..... 22,5 m/s<sup>2</sup> .....22,5 m/s<sup>2</sup>

Tolerancia K.....1,5 m/s<sup>2</sup> .....1,5 m/s<sup>2</sup> ..... 1,5 m/s<sup>2</sup> .....1,5 m/s<sup>2</sup>

DATOS TÉCNICOS	Sierra Sable		SSPE 1300 RX		SSPE 1500 X	
			220-240 V	110 V	220-240 V	110 V
Número de producción .....	4405 91 01...	4405 91 01...	4289 01 01...	4291 46 01...	000001-999999	000001-999999
Potencia de salida nominal.....	1300 W	1300 W	1500 W	1500 W	600 W	600 W
potencia entregada.....	600 W	600 W	750 W	750 W	0-3000 min <sup>-1</sup>	0-2800 min <sup>-1</sup>
Nº de carreras en vacío.....	32 mm	32 mm	32 mm	32 mm	300 mm	300 mm
Carrera .....	300 mm	300 mm	300 mm	300 mm	250 mm	250 mm
Profundidad de corte máx. en:					4,2 kg	4,0 kg
Madera .....					4,0 kg	4,0 kg
Tubos metálicos / perfiles .....						
Peso de acuerdo con el procedimiento EPTA 01/2003 .....						

#### Información sobre ruidos / vibraciones

Determinación de los valores de medición según norma EN 60 745.

El nivel de ruido típico del aparato determinado con un

filtro A corresponde a:

Resonancia acústica (K = 3 dB(A)).....91 dB (A) .....91 dB (A)..... 91 dB (A).....91 dB (A)

Presión acústica (K = 3 dB(A)).....102 dB (A) .....102 dB (A)..... 102 dB (A).....102 dB (A)

#### Usar protectores auditivos!

Nivel total de vibraciones (suma vectorial de tres

direcciones) determinado según EN 60745.

Valor de vibraciones generadas a<sub>h</sub>

Corte de vigas de madera .....14,5 m/s<sup>2</sup> .....15,2 m/s<sup>2</sup> ..... 15,2 m/s<sup>2</sup>

Tolerancia K.....1,5 m/s<sup>2</sup> .....1,6 m/s<sup>2</sup> ..... 1,6 m/s<sup>2</sup> .....1,6 m/s<sup>2</sup>

Aserrado de cartón .....22,5 m/s<sup>2</sup> .....19,9 m/s<sup>2</sup> ..... 19,9 m/s<sup>2</sup> .....19,9 m/s<sup>2</sup>

Tolerancia K.....1,5 m/s<sup>2</sup> .....2,2 m/s<sup>2</sup> ..... 2,2 m/s<sup>2</sup> .....2,2 m/s<sup>2</sup>

#### ADVERTENCIA

El nivel vibratorio indicado en estas instrucciones ha sido medido conforme a un método de medición estandarizado en la norma EN 60745, y puede utilizarse para la comparación entre herramientas eléctricas. También es apropiado para una estimación provisional de la carga de vibración.

El nivel vibratorio indicado representa las aplicaciones principales de la herramienta eléctrica. Si, pese a ello, se utiliza la herramienta eléctrica para otras aplicaciones, con útiles adaptables diferentes o con un mantenimiento insuficiente, el nivel vibratorio puede diferir. Esto puede incrementar sensiblemente la carga de vibración durante todo el periodo de trabajo.

Para una estimación exacta de la carga de vibración deberían tenerse en cuenta también los tiempos durante los que el aparato está apagado o, pese a estar en funcionamiento, no está siendo realmente utilizado. Esto puede reducir sustancialmente la carga de vibración durante todo el periodo de trabajo.

Adopte medidas de seguridad adicionales para la protección del operador frente al efecto de las vibraciones, como por ejemplo: mantenimiento de la herramienta eléctrica y de los útiles adaptables, mantener las manos calientes, organización de los procesos de trabajo.

**⚠ ATENCIÓN: Lea atentamente las indicaciones e instrucciones de seguridad.** En caso de no atenerse a las advertencias de peligro e instrucciones siguientes, ello puede ocasionar una descarga eléctrica, un incendio y/o lesión grave.  
**Guardar todas las advertencias de peligro e instrucciones para futuras consultas.**

## INSTRUCCIONES DE SEGURIDAD

**¡Utilice protección auditiva!** La exposición a niveles de ruido excesivos puede causar pérdida de audición

**Sujete el aparato de las superficies aisladas de agarre al efectuar trabajos en los cuales la perforadora de percusión pueda entrar en contacto con conductores de corriente ocultos o con el propio cable.** El contacto con conductores portadores de tensión puede hacer que las partes metálicas del aparato le provoquen una descarga eléctrica.

Conecte siempre la máquina a una red protegida por interruptor diferencial y magnetotérmico, para su seguridad personal, según normas establecidas para instalaciones eléctricas de baja tensión.

Para trabajar con la máquina, utilizar siempre gafas de protección, guantes, calzado de seguridad antideslizante, así como es recomendable usar protectores auditivos.

Nunca se debe intentar limpiar el polvo o viruta procedente del taladrado con la máquina en funcionamiento.

Desconecte siempre el enchufe antes de llevar a cabo cualquier trabajo en la máquina.

Enchufar la máquina a la red solamente en posición desconectada.

Mantener siempre el cable separado del radio de acción de la máquina.

El polvo que se produce durante estos trabajos puede ser nocivo a la salud; es por ello aconsejable que no penetre al cuerpo. Utilice por ello una máscara protectora contra polvo.

No usar seguetas rajadas o torcidas.

En materiales blandos (madera, materiales ligeros de construcción para paredes) es posible hacer cortes verticales sin taladrar primero un agujero. En materiales duros (metales) primero se debe taladrar un agujero de acuerdo con el tamaño de la segueta.

Al serrar aplicar siempre el estribo guía a la pieza de trabajo.

Para trabajar en paredes, techo o suelo, tenga cuidado para evitar los cables eléctricos y tuberías de gas o agua.

En condiciones de utilización extremas (p. ej., trabajos en entornos húmedos, separación de tubos que aún pueden contener líquidos) es preciso preconnectar sin falta un interruptor de corriente de defecto (FI). Tras la activación de éste, debe enviarse la máquina para su reparación.

## APLICACIÓN DE ACUERDO A LA FINALIDAD

Esta sierra de sable puede cortar madera, plástico y metal; puede cortar líneas rectas, curvas y efectuar cortes internos.

No utilice este producto para ninguna otra aplicación que no sea su uso normal.

## DECLARACION DE CONFORMIDAD CE

Declaramos bajo nuestra responsabilidad que el producto descrito bajo "Datos técnicos" está en conformidad con todas las normas relevantes de la directiva 2011/65/EU (RoHS), 2006/42/CE, 2004/108/CE y con las siguientes normas o documentos normalizados:

EN 60745-1:2009 + A11:2010

EN 60745-2-11:2010

EN 55014-1:2006 + A1:2009 + A2:2011

EN 55014-2:1997 + A1:2001 + A2:2008

EN 61000-3-2:2006 + A1:2009 + A2:2009

EN 61000-3-3:2008

Winnenden, 2013-08-07

Alexander Krug  
Managing Director



Autorizado para la redacción de los documentos técnicos.

Techtronic Industries GmbH  
Max-Eyth-Straße 10  
71364 Winnenden  
Germany

## CONEXIÓN ELÉCTRICA

Conectar solamente a corriente AC monofásica y sólo al voltaje indicado en la placa de características. También es posible la conexión a enchufes sin toma a tierra, dado que es conforme a la Clase de Seguridad II

## MANTENIMIENTO

Las ranuras de ventilación de la máquina deben estar despejadas en todo momento.

Utilice solamente accesorios y repuestos Milwaukee. En caso de necesitar reemplazar componentes no descritos, contacte con cualquiera de nuestras estaciones de servicio Milwaukee (consultar lista de servicio técnicos)

Puede solicitar, en caso necesario, una vista despejada del aparato bajo indicación del tipo de máquina y el número de seis dígitos en la placa indicadora de potencia en su Servicio de Postventa o directamente en Techtronic Industries GmbH, Max-Eyth-Straße 10, 71364 Winnenden, Germany.

## SÍMBOLOS



Lea las instrucciones detenidamente antes de conectar la herramienta



Desconecte siempre el enchufe antes de llevar a cabo cualquier trabajo en la máquina.



Accesorio - No incluido en el equipo estándar, disponible en la gama de accesorios.



¡No deseche los aparatos eléctricos junto con los residuos domésticos! De conformidad con la Directiva Europea 2002/96/CE sobre residuos de aparatos eléctricos y electrónicos y su aplicación de acuerdo con la legislación nacional, las herramientas eléctricas cuya vida útil haya llegado a su fin se deberán recoger por separado y trasladar a una planta de reciclaje que cumpla con las exigencias ecológicas.



Clase de protección II, herramientas eléctricas, en las cuales la protección contra descargas eléctricas no sólo depende del aislamiento básico, sino en las cuales se adoptan medidas de protección adicionales como un doble aislamiento o un aislamiento reforzado.

CARACTERÍSTICAS TÉCNICAS	Serra de Sabre	SSPE 1300 QX		SSPE 1300 SX	
		220-240 V	110 V	220-240 V	110 V
Número de produção.....		3935 05 01... ..3935 10 01... ..4285 21 01... ..4291 06 01... ..			
		...000001-999999	...000001-999999	...000001-999999	...000001-999999
Potência absorvida nominal .....		1300 W .....	1200 W.....	1300 W.....	1200 W .....
Potência de saída.....		600 W .....	600 W.....	600 W.....	600 W .....
Nº. de cursos em vazio.....		0-3000 min <sup>-1</sup> .....	0-3000 min <sup>-1</sup> .....	0-3000 min <sup>-1</sup> .....	0-3000 min <sup>-1</sup> .....
Curso.....		32 mm.....	32 mm .....	32 mm .....	32 mm .....
Profundidade de corte máx. em					
Madeira.....		300 mm.....	300 mm .....	300 mm .....	300 mm .....
Tubos metálicos / perfis.....		250 mm.....	250 mm .....	250 mm .....	250 mm .....
Peso nos termos do procedimento-EPTA 01/2003.....		4,2 kg .....	4,2 kg .....	3,9 kg .....	3,9 kg .....

#### Informações sobre ruído/vibração

Valores de medida de acordo com EN 60 745.

O nível de ruído avaliado A do aparelho é tipicamente:

Nível da pressão de ruído (K = 3 dB(A)) ..... 91 dB (A) ..... 91 dB (A) ..... 91 dB (A) ..... 91 dB (A)

Nível da potência de ruído (K = 3 dB(A)) ..... 102 dB (A) ..... 102 dB (A) ..... 102 dB (A) ..... 102 dB (A)

#### Use protectores auriculares!

Valores totais de vibração (soma dos vectores das três direcções) determinadas conforme EN 60745.

Valor de emissão de vibração  $a_h$

Serrar vigas de madeira ..... 14,5 m/s<sup>2</sup> ..... 14,5 m/s<sup>2</sup> ..... 14,5 m/s<sup>2</sup> ..... 14,5 m/s<sup>2</sup>

Incerteza K ..... 1,5 m/s<sup>2</sup> ..... 1,5 m/s<sup>2</sup> ..... 1,5 m/s<sup>2</sup> ..... 1,5 m/s<sup>2</sup>

Serrar aparite..... 22,5 m/s<sup>2</sup> ..... 22,5 m/s<sup>2</sup> ..... 22,5 m/s<sup>2</sup> ..... 22,5 m/s<sup>2</sup>

Incerteza K ..... 1,5 m/s<sup>2</sup> ..... 1,5 m/s<sup>2</sup> ..... 1,5 m/s<sup>2</sup> ..... 1,5 m/s<sup>2</sup>

CARACTERÍSTICAS TÉCNICAS	Serra de Sabre	SSPE 1300 RX		SSPE 1500 X	
		220-240 V	110 V	220-240 V	110 V
Número de produção.....		4405 91 01... ..		4289 01 01... ..	4291 46 01... ..
		...000001-999999		...000001-999999	...000001-999999
Potência absorvida nominal .....		1300 W .....		1500 W .....	1500 W .....
Potência de saída.....		600 W .....		750 W .....	750 W .....
Nº. de cursos em vazio.....		0-3000 min <sup>-1</sup> .....		0-2800 min <sup>-1</sup> .....	0-2800 min <sup>-1</sup> .....
Curso.....		32 mm.....		32 mm .....	32 mm .....
Profundidade de corte máx. em					
Madeira.....		300 mm.....		300 mm .....	300 mm .....
Tubos metálicos / perfis.....		250 mm.....		250 mm .....	250 mm .....
Peso nos termos do procedimento-EPTA 01/2003.....		4,2 kg .....		4,0 kg .....	4,0 kg .....

#### Informações sobre ruído/vibração

Valores de medida de acordo com EN 60 745.

O nível de ruído avaliado A do aparelho é tipicamente:

Nível da pressão de ruído (K = 3 dB(A)) ..... 91 dB (A) ..... 91 dB (A) ..... 91 dB (A)

Nível da potência de ruído (K = 3 dB(A)) ..... 102 dB (A) ..... 102 dB (A) ..... 102 dB (A)

#### Use protectores auriculares!

Valores totais de vibração (soma dos vectores das três direcções) determinadas conforme EN 60745.

Valor de emissão de vibração  $a_h$

Serrar vigas de madeira ..... 14,5 m/s<sup>2</sup> ..... 15,2 m/s<sup>2</sup> ..... 15,2 m/s<sup>2</sup>

Incerteza K ..... 1,5 m/s<sup>2</sup> ..... 1,6 m/s<sup>2</sup> ..... 1,6 m/s<sup>2</sup>

Serrar aparite..... 22,5 m/s<sup>2</sup> ..... 19,9 m/s<sup>2</sup> ..... 19,9 m/s<sup>2</sup>

Incerteza K ..... 1,5 m/s<sup>2</sup> ..... 2,2 m/s<sup>2</sup> ..... 2,2 m/s<sup>2</sup>

### ATENÇÃO

O nível vibratório indicado nestas instruções foi medido em conformidade com um procedimento de medição normalizado na EN 60745 e pode ser utilizado para comparar entre si ferramentas eléctricas. O mesmo é também adequado para avaliar provisoriamente o esforço vibratório.

O nível vibratório indicado representa as principais aplicações da ferramenta eléctrica. Se, no entanto, a ferramenta eléctrica for utilizada para outras aplicações, com outras ferramentas adaptadas ou uma manutenção insuficiente, o nível vibratório poderá divergir. Isto pode aumentar consideravelmente o esforço vibratório ao longo de todo o período do trabalho.

Para uma avaliação exacta do esforço vibratório devem também ser considerados os tempos durante os quais o aparelho está desligado ou está a funcionar, mas não está efectivamente a ser utilizado. Isto pode reduzir consideravelmente o esforço vibratório ao longo de todo o período do trabalho.

Defina medidas de segurança suplementares para proteger o operador do efeito das vibrações, como por exemplo: manutenção da ferramenta eléctrica e das ferramentas adaptadas, manter as mãos quentes, organização das seqüências de trabalho.

**⚠ ADVERTÊNCIA! Leia todas as instruções de segurança e todas as instruções.** O desrespeito das advertências e instruções apresentadas abaixo pode causar choque eléctrico, incêndio e/ou graves lesões. **Guarde bem todas as advertências e instruções para futura referência.**

## INSTRUÇÕES DE SEGURANÇA

**Sempre use a protecção dos ouvidos.** A influência de ruídos pode causar surdez.

**Segure o aparelho nas superfícies de punho isoladas se estiver a executar trabalhos, nos quais a ferramenta de corte pode tocar em linhas eléctricas escondidas ou no próprio cabo.** O contacto com um cabo com tensão também pode afectar as partes metálicas do aparelho sob tensão e leva a choque eléctrico.

Aparelhos não estacionários, utilizados ao ar livre, devem ser protegidos por um disjuntor de corrente de defeito.

Usar sempre óculos de protecção ao trabalhar com a máquina. Recomenda-se a utilização de luvas de protecção, protectores para os ouvidos e máscara anti-poeiras.

Não remover aparas ou lascas enquanto a máquina trabalha.

Antes de efectuar qualquer intervenção na máquina, tirar a ficha da tomada.

Ao ligar à rede, a máquina deve estar desligada.

Manter sempre o cabo de ligação fora da zona de acção da máquina.

O pó que resulta ao trabalhar pode ser nocivo para a saúde, por isso não devendo penetrar no corpo. Use uma máscara de protecção contra pó apropriada.

Não utilizar lâminas de corte fissuradas ou deformadas.

Cortes enviados só são possíveis em materiais não muito consistentes (madeira, aglomerados ligeiros para paredes). Em materiais mais duros (metais) é necessário efectuar uma furação na qual caiba a lâmina de corte.

Coloque sempre a guia na peça de trabalho quando estiver a serrar.

Ao trabalhar em paredes, tectos e soalhos prestar atenção a que não sejam atingidos cabos eléctricos e canalizações de gás e água.

Em condições de utilização extremas (por ex., trabalhos em ambientes húmidos, separação de tubos que ainda possam conter líquido), é obrigatório ligar em série um disjuntor de corrente de avaria. Depois da operação do disjuntor de corrente de avaria, a máquina tem de ser enviada para reparação.

## UTILIZAÇÃO AUTORIZADA

Esta serra de sabre corta madeira, plástico e metal. Cortes curvos e à face do material.

Não use este produto de outra maneira sem ser a normal para o qual foi concebido.

## DECLARAÇÃO DE CONFORMIDADE CE

Declaramos sob responsabilidade exclusiva, que o produto descrito sob "Dados técnicos" corresponde com todas as disposições relevantes da directiva 2011/65/EU (RoHS), 2006/42/CE, 2004/108/CE e dos seguintes documentos normativos harmonizados.

EN 60745-1:2009 + A11:2010

EN 60745-2-11:2010

EN 55014-1:2006 + A1:2009 + A2:2011

EN 55014-2:1997 + A1:2001 + A2:2008

EN 61000-3-2:2006 + A1:2009 + A2:2009

EN 61000-3-3:2008

Winnenden, 2013-08-07



Alexander Krug  
Managing Director

Autorizado a reunir a documentação técnica.

Techtronic Industries GmbH  
Max-Eyth-Straße 10  
71364 Winnenden  
Germany



## LIGAÇÃO À REDE

Só conectar à corrente alternada monofásica e só à tensão de rede indicada na placa de potência. A conexão às tomadas de rede sem contacto de segurança também é possível, pois trata-se duma construção da classe de protecção II.

## MANUTENÇÃO

Através dos rasgos de ventilação podem soprar-se com ar comprimido os depósitos de poeira no motor.

Utilizar apenas acessórios Milwaukee e peças sobresselentes Milwaukee. Os componentes cuja substituição não esteja descrita devem ser substituídos num serviço de assistência técnica Milwaukee (consultar a brochura relativa à garantia/moradas dos serviços de assistência técnica).

Se for necessário, um desenho de explosão do aparelho pode ser solicitado do seu posto de assistência ao cliente ou directamente da Techtronic Industries GmbH, Max-Eyth-Straße 10, 71364 Winnenden, Alemanha, indicando o tipo da máquina e o número de seis posições na chapa indicadora da potência.

## SYMBOLS



Leia atentamente o manual de instruções antes de colocar a máquina em funcionamento.



Antes de efectuar qualquer intervenção na máquina, tirar a ficha da tomada.



Acessório - Não incluído no equipamento normal, disponível como acessório.



Não deite ferramentas eléctricas no lixo doméstico! De acordo com a directiva europeia 2002/96/CE sobre ferramentas eléctricas e electrónicas usadas e a transposição para as leis nacionais, as ferramentas eléctricas usadas devem ser recolhidas em separado e encaminhadas a uma instalação de reciclagem dos materiais ecológica.



Classe de protecção II, ferramenta eléctrica, na qual a protecção contra choque eléctrico não só depende de um isolamento básico, mas na qual medidas de segurança suplementares, como isolamento duplo ou isolamento reforçado, são aplicadas.

TECHNISCHE GEGEVENS	Reciprozaagmachine	SSPE 1300 QX		SSPE 1300 SX	
		220-240 V	110 V	220-240 V	110 V
Productienummer .....		3935 05 01... ..00001-99999	3935 10 01... ..00001-99999	4285 21 01... ..00001-99999	4291 06 01... ..00001-99999
Nominaal afgegeven vermogen.....		1300 W	1200 W	1300 W	1200 W
Afgegeven vermogen .....		600 W	600 W	600 W	600 W
Onbelast toerental .....		0-3000 min <sup>-1</sup>	0-3000 min <sup>-1</sup>	0-3000 min <sup>-1</sup>	0-3000 min <sup>-1</sup>
Slaglengte.....		32 mm	32 mm	32 mm	32 mm
Max. schroefdiepte in:					
Hout .....		300 mm	300 mm	300 mm	300 mm
Metaalpijp / profielen .....		250 mm	250 mm	250 mm	250 mm
Gewicht volgens de EPTA-procedure 01/2003.....		4,2 kg	4,2 kg	3,9 kg	3,9 kg

#### Geluids-/trillingsinformatie

Meetwaarden vastgesteld volgens EN 60 745.

Het kenmerkende A-gewogen geluidsniveau van de machine bedraagt:

Geluidsdrukniveau (K=3dB(A)) .....	91 dB (A)	91 dB (A)	91 dB (A)	91 dB (A)
Geluidsvermogniveau (K=3dB(A)) .....	102 dB (A)	102 dB (A)	102 dB (A)	102 dB (A)

#### Draag oorbeschermers!

Totale trillingswaarden (vectorsom van drie richtingen) bepaald volgens EN 60745.

Trillingsemisiewaarde a<sub>w</sub>

Zagen van houten balken .....	14,5 m/s <sup>2</sup>	14,5 m/s <sup>2</sup>	14,5 m/s <sup>2</sup>	14,5 m/s <sup>2</sup>
Onzekerheid K .....	1,5 m/s <sup>2</sup>	1,5 m/s <sup>2</sup>	1,5 m/s <sup>2</sup>	1,5 m/s <sup>2</sup>
Zagen van spaanplaat .....	22,5 m/s <sup>2</sup>	22,5 m/s <sup>2</sup>	22,5 m/s <sup>2</sup>	22,5 m/s <sup>2</sup>
Onzekerheid K .....	1,5 m/s <sup>2</sup>	1,5 m/s <sup>2</sup>	1,5 m/s <sup>2</sup>	1,5 m/s <sup>2</sup>

TECHNISCHE GEGEVENS	Reciprozaagmachine	SSPE 1300 RX		SSPE 1500 X	
		220-240 V	110 V	220-240 V	110 V
Productienummer .....		4405 91 01... ..00001-99999	4405 91 01... ..00001-99999	4289 01 01... ..00001-99999	4291 46 01... ..00001-99999
Nominaal afgegeven vermogen.....		1300 W	1300 W	1500 W	1500 W
Afgegeven vermogen .....		600 W	600 W	750 W	750 W
Onbelast toerental .....		0-3000 min <sup>-1</sup>	0-3000 min <sup>-1</sup>	0-2800 min <sup>-1</sup>	0-2800 min <sup>-1</sup>
Slaglengte.....		32 mm	32 mm	32 mm	32 mm
Max. schroefdiepte in:					
Hout .....		300 mm	300 mm	300 mm	300 mm
Metaalpijp / profielen .....		250 mm	250 mm	250 mm	250 mm
Gewicht volgens de EPTA-procedure 01/2003.....		4,2 kg	4,0 kg	4,0 kg	4,0 kg

#### Geluids-/trillingsinformatie

Meetwaarden vastgesteld volgens EN 60 745.

Het kenmerkende A-gewogen geluidsniveau van de machine bedraagt:

Geluidsdrukniveau (K=3dB(A)) .....	91 dB (A)	91 dB (A)	91 dB (A)	91 dB (A)
Geluidsvermogniveau (K=3dB(A)) .....	102 dB (A)	102 dB (A)	102 dB (A)	102 dB (A)

#### Draag oorbeschermers!

Totale trillingswaarden (vectorsom van drie richtingen) bepaald volgens EN 60745.

Trillingsemisiewaarde a<sub>w</sub>

Zagen van houten balken .....	14,5 m/s <sup>2</sup>	15,2 m/s <sup>2</sup>	15,2 m/s <sup>2</sup>
Onzekerheid K .....	1,5 m/s <sup>2</sup>	1,6 m/s <sup>2</sup>	1,6 m/s <sup>2</sup>
Zagen van spaanplaat .....	22,5 m/s <sup>2</sup>	19,9 m/s <sup>2</sup>	19,9 m/s <sup>2</sup>
Onzekerheid K .....	1,5 m/s <sup>2</sup>	2,2 m/s <sup>2</sup>	2,2 m/s <sup>2</sup>

### WAARSCHUWING

De in deze aanwijzingen vermelde trillingsdruk is gemeten volgens een in EN 60745 genoemde meetmethode en kan worden gebruikt voor de onderlinge vergelijking van apparaten. Hij is ook geschikt voor een voorlopige inschatting van de trillingsbelasting.

De aangegeven trillingsdruk geldt voor de meest gebruikelijke toepassingen van het elektrische apparaat. Wanneer het elektrische gereedschap echter voor andere doeleinden, met andere dan de voorgeschreven hulpstukken gebruikt of niet naar behoren onderhouden wordt, kan de trillingsdruk afwijken. Dit kan de waarde van de trillingsdruk over de hele werkperiode aanzienlijk verhogen.

Voor een nauwkeurige inschatting van de trillingsdruk moeten ook de tijden in aanmerking worden genomen dat het apparaat uitgeschakeld is of weliswaar loopt, maar niet werkelijk in gebruik is. Dit kan de waarde van de trillingsdruk over de hele werkperiode aanzienlijk verminderen.

Bepaal extra veiligheidsmaatregelen ter bescherming van de bediener tegen de inwerking van trillingen, bijvoorbeeld: onderhoud van elektrische gereedschappen en apparaten, warmhouden van de handen, organisatie van de werkprocessen.

**⚠ WAARSCHUWING! Lees alle veiligheidsinstructies en aanwijzingen.** Als de waarschuwingen en voorschriften niet worden opgevolgd, kan dit een elektrische schok, brand of ernstig letsel tot gevolg hebben.  
**Bewaar alle waarschuwingen en voorschriften voor toekomstig gebruik.**

## VEILIGHEIDSADVIEZEN

**Draag oorbeschermers.** Blootstelling aan geluid kan het gehoor beschadigen.

**Houd het apparaat alléén aan de geïsoleerde grijpvlakken vast, wanneer u werkzaamheden uitvoert waarbij het snijgereedschap verborgen stroomleidingen of de eigen apparaatkabel zou kunnen raken.** Het contact met een onder spanning staande leiding zet ook de metalen machinedelen onder spanning en leidt tot een elektrische schok.

Verplaatsbaar gereedschap moet bij het gebruik buiten aan een aardlekschakelaar aangesloten worden.

Bij het werken met de machine altijd een veiligheidsbril dragen. Werkhandschoenen en stofkapje voor de mond worden aanbevolen.

Spanen of splinters mogen bij draaiende machine niet worden verwijderd.

Voor alle werkzaamheden aan de machine de stekker uit de kontaktdoos trekken.

Machine alleen uitgeschakeld aan het net aansluiten.

Snoer altijd buiten werkbereik van de machine houden.

Het gedurende het werken vrijkomende stof is doorgaans schadelijk voor de gezondheid en mag niet met het lichaam in aanraking komen. Draag derhalve een geschikt stofbeschermsmasker.

Gescheurde zaagbladen of welke van vorm veranderd zijn, mogen niet gebruikt worden.

Insteekzagen is alleen in zachte materialen (hout, lichte bouwstoffen voor wanden) mogelijk. Bij hardere materialen (metalen) moet een boring overeenkomstig de grootte van het zaagblad aangebracht worden.

Geleidebeugel bij het zagen altijd tegen het werkstuk leggen.

Bij het werken in wanden, plafonds of vloeren oppassen voor elektriciteitsdraden, gas- of waterleidingen.

In geval van extreme gebruiksvoorwaarden (bijv. het werken in een vochtige omgeving, het loskoppelen van buisleidingen die nog vloeistof kunnen bevatten) moet altijd een lekstroomschakelaar (FI) worden geïnstalleerd. Na het aanspreken van de lekstroomschakelaar moet de machine ter reparatie worden opgestuurd.

## VOORGESCHREVEN GEBRUIK VAN HET SYSTEEM

De reciprozaag zaagt hout, kunststof en metaal. Zagen van bochten, insteekzagen, en recht afzagen is mogelijk.

Dit apparaat uitsluitend gebruiken voor normaal gebruik, zoals aangegeven.

## EC-KONFORMITEITSVERKLARING

Wij verklaren in uitsluitende verantwoording dat het onder "Technische gegevens" beschreven product overeenstemt met alle relevante voorschriften van de richtlijn 2011/65/EU (RoHS), 2006/42/EG, 2004/108/EG en de volgende geharmoniseerde normatieve documenten:

EN 60745-1:2009 + A11:2010

EN 60745-2-11:2010

EN 55014-1:2006 + A1:2009 + A2:2011

EN 55014-2:1997 + A1:2001 + A2:2008

EN 61000-3-2:2006 + A1:2009 + A2:2009

EN 61000-3-3:2008

Winnenden, 2013-08-07



Alexander Krug  
Managing Director



Gemachtigd voor samenstelling van de technische documenten

Techtronic Industries GmbH  
Max-Eyth-Strasse 10  
71364 Winnenden  
Germany

## NETAANSLUITING

Uitsluitend op éénfase-wisselstroom en uitsluitend op de op het typeplaatje aangegeven netspanning aansluiten. Aansluiting is ook mogelijk op een stekerdoos zonder aardcontact mogelijk, omdat het is ontworpen volgens veiligheidsklasse II.

## ONDERHOUD

Altijd de luchtspleten van de machine schoonhouden.

Gebruik uitsluitend Milwaukee toebehoren en onderdelen. Indien componenten die moeten worden vervangen niet zijn beschreven, neem dan contact op met een officieel Milwaukee servicecentrum (zie onze lijst met servicecentra).

Zo nodig kan een explosietekening van het apparaat worden aangevraagd bij uw klantenservice of direct bij Techtronic Industries GmbH, Max-Eyth-Strasse 10, 71364 Winnenden, Duitsland onder vermelding van het machinetype en het zescijferige nummer op het typeplaatje.

## SYMBOLEN



Graag instructies zorgvuldig doorlezen vóórdat u de machine in gebruik neemt.



Voor alle werkzaamheden aan de machine de stekker uit de kontaktdoos trekken.



Toebehoren - Wordt niet meegeleverd. Is apart leverbaar. Zie hiervoor het toebehorenprogramma.



Geef elektrisch gereedschap niet met het huisvuil mee! Volgens de Europese richtlijn 2002/96/EG inzake oude elektrische en elektronische apparaten en de toepassing daarvan binnen de nationale wetgeving, dient gebruikt elektrisch gereedschap gescheiden te worden ingezameld en te worden afgevoerd naar een recycle bedrijf dat voldoet aan de geldende milieu-eisen.



Beschermingsklasse II, elektrisch gereedschap waarbij de bescherming tegen elektrische schokken niet afhankelijk is van de basisisolatie, maar waarin extra veiligheidsmaatregelen worden toegepast zoals dubbele of versterkte isolatie.

TEKNISKE DATA	Bajonetsav	SSPE 1300 QX		SSPE 1300 SX	
		220-240 V	110 V	220-240 V	110 V
Produktionsnummer .....	3935 05 01... ..00001-99999	3935 10 01... ..00001-99999	4285 21 01... ..00001-99999	4291 06 01... ..00001-99999	
Nominel optagen effekt.....	1300 W	1200 W	1300 W	1200 W	
Afgiven effekt.....	600 W	600 W	600 W	600 W	
Slagantal, ubelastet.....	0-3000 min <sup>-1</sup>	0-3000 min <sup>-1</sup>	0-3000 min <sup>-1</sup>	0-3000 min <sup>-1</sup>	
Løftehøjde .....	32 mm	32 mm	32 mm	32 mm	
Skæredybde max. i:					
Træ .....	300 mm	300 mm	300 mm	300 mm	
Metalrør / Profiler.....	250 mm	250 mm	250 mm	250 mm	
Vægt svarer til EPTA-procedure 01/2003.....	4,2 kg	4,2 kg	3,9 kg	3,9 kg	

### Støj/Vibrationsinformation

Måleværdier beregnes iht. EN 60 745.

Værktøjets A-vurderede støjniveau er typisk:

Lydtrykniveau (K=3dB(A)) .....	91 dB (A)	91 dB (A)	91 dB (A)	91 dB (A)
Lydeffekt niveau (K=3dB(A)) .....	102 dB (A)	102 dB (A)	102 dB (A)	102 dB (A)

### Brug høreværn!

Samlede vibrationsværdier (værdisum for tre retninger) beregnet iht. EN 60745.

Vibrationseksposering a<sub>h</sub>

Savning af træbjælker .....	14,5 m/s <sup>2</sup>	14,5 m/s <sup>2</sup>	14,5 m/s <sup>2</sup>	14,5 m/s <sup>2</sup>
Usikkerhed K .....	1,5 m/s <sup>2</sup>	1,5 m/s <sup>2</sup>	1,5 m/s <sup>2</sup>	1,5 m/s <sup>2</sup>
Savning af spånplader.....	22,5 m/s <sup>2</sup>	22,5 m/s <sup>2</sup>	22,5 m/s <sup>2</sup>	22,5 m/s <sup>2</sup>
Usikkerhed K .....	1,5 m/s <sup>2</sup>	1,5 m/s <sup>2</sup>	1,5 m/s <sup>2</sup>	1,5 m/s <sup>2</sup>

TEKNISKE DATA	Bajonetsav	SSPE 1300 RX		SSPE 1500 X	
		220-240 V	110 V	220-240 V	110 V
Produktionsnummer .....	4405 91 01... ..00001-99999	4289 01 01... ..00001-99999	4291 46 01... ..00001-99999		
Nominel optagen effekt.....	1300 W	1500 W	1500 W		
Afgiven effekt.....	600 W	750 W	750 W		
Slagantal, ubelastet.....	0-3000 min <sup>-1</sup>	0-2800 min <sup>-1</sup>	0-2800 min <sup>-1</sup>		
Løftehøjde .....	32 mm	32 mm	32 mm		
Skæredybde max. i:					
Træ .....	300 mm	300 mm	300 mm		
Metalrør / Profiler.....	250 mm	250 mm	250 mm		
Vægt svarer til EPTA-procedure 01/2003.....	4,2 kg	4,0 kg	4,0 kg		

### Støj/Vibrationsinformation

Måleværdier beregnes iht. EN 60 745.

Værktøjets A-vurderede støjniveau er typisk:

Lydtrykniveau (K=3dB(A)) .....	91 dB (A)	91 dB (A)	91 dB (A)
Lydeffekt niveau (K=3dB(A)) .....	102 dB (A)	102 dB (A)	102 dB (A)

### Brug høreværn!

Samlede vibrationsværdier (værdisum for tre retninger) beregnet iht. EN 60745.

Vibrationseksposering a<sub>h</sub>

Savning af træbjælker .....	14,5 m/s <sup>2</sup>	15,2 m/s <sup>2</sup>	15,2 m/s <sup>2</sup>
Usikkerhed K .....	1,5 m/s <sup>2</sup>	1,6 m/s <sup>2</sup>	1,6 m/s <sup>2</sup>
Savning af spånplader.....	22,5 m/s <sup>2</sup>	19,9 m/s <sup>2</sup>	19,9 m/s <sup>2</sup>
Usikkerhed K .....	1,5 m/s <sup>2</sup>	2,2 m/s <sup>2</sup>	2,2 m/s <sup>2</sup>

### ADVARSEL

Svingningsniveauet, som er angivet i disse anvisninger, er målt i henhold til standardiseret måleprocedure ifølge EN 60745 og kan anvendes til indbyrdes sammenligning mellem el-værktøjer. Svingningsniveauet er ligeledes egnet som foreløbigt skøn over svingningsbelastningen.

Det angivne svingningsniveau er baseret på el-værktøjets primære anvendelsesformål. Hvis el-værktøjet benyttes til andre formål, med andet indsatsværktøj eller ikke vedligeholdes tilstrækkeligt, kan svingningsniveauet afvige. Dette kan øge svingningsbelastningen over den samlede arbejdsperiode betydeligt.

For en nøjagtig vurdering af svingningsbelastningen skal der også tages højde for de tidsperioder, hvor apparatet er slukket, eller hvor apparatet kører, men uden at være i anvendelse. Dette kan reducere svingningsbelastningen over den samlede arbejdsperiode betydeligt.

Supplerende sikkerhedsforanstaltninger til beskyttelse af brugeren mod påvirkninger fra svingninger skal iværksættes, f.eks.: Vedligeholdelse af el-værktøj og indsatsværktøj, varmholdelse af hænder, organisering af arbejdsprocesser.



**⚠ ADVARSEL! Læs alle sikkerhedsinformationer og instruktioner.** I tilfælde af manglende overholdelse af advarselshenvisningerne og instrukserne er der risiko for elektrisk stød, brand og/eller alvorlige kvæstelser. **Opbevar alle advarselshenvisninger og instrukser til senere brug.**

## SIKKERHEDSHENVISNINGER

**Bær høreværn.** Støjpåvirkning kan bevirke tab af hørelse.

**Hold maskinen fast i de isolerede gribeplader, når du udfører arbejde, hvor der er risiko for, at skæreværktøjet kan ramme skjulte strømledninger eller værktøjets egen ledning.** Ved kontakt med en strømførende ledning står metaldelene på maskinen også under spænding og giver et elektrisk stød.

Stikdåser udenørs skal være forsynet med fejlstrømssikringskontakter. Det forlanger installationsforskriften for Deres elektroanlæg. Overhold dette, når De bruger vores maskiner.

Når der arbejdes med maskinen, skal man have beskyttelsesbriller på. Beskyttelseshandsker, skridsikre sko, høreværn og forklæde anbefales.

Spåner eller splinter må ikke fjernes, medens maskinen kører.

Før ethvert arbejde ved maskinen skal stikket tages ud af stikdåsen.

Maskinen sluttes kun udkoblet til stikdåsen.

Tilslutningskablet holdes hele tiden væk fra maskinens arbejdsområde. Kablet ledes altid bort bag om maskinen.

Støv, som opstår under arbejdet, er ofte sundhedsfarligt og bør ikke trænge ind i kroppen. Benyt egnet åndedrætsværn.

Ridsede savklinger eller sådanne, som har ændret form, må ikke bruges.

Dykvævning er kun muligt i blødere materialer (træ, lette bygningsmaterialer til vægge, ved hårdere materialer (metaller) skal der anbringes et hul, hvis størrelse svarer til savklingen).

Ved savning skal styrebøjlen altid lægges til arbejdsstykket.

Ved arbejdsboring i væg, loft eller gulv skal man passe på elektriske kabler, gas- og vandledninger.

Ved ekstreme arbejdsbetingelser (f.eks. arbejde i fugtige omgivelser, kapning af rør, der stadigvæk kan indeholde væske) er indkobling af fejlstrømsrelæ (HFI) påbudt. Hvis fejlstrømsrelæet slår fra, skal maskinen indsendes til reparation.

## TILTÆNKT FORMÅL

Bajonetsaven kan anvendes til træ, plast og metal. Bajonetsaven afskærer plant til overfladen, i kurver, indvendig udkæring og i rør.

Produktet må ikke anvendes på anden måde og til andre formål end foreskrevet.

## CE-KONFORMITETSERKLÆRING

Vi erklærer som eneansvarlig, at det under „Tekniske data“ beskrevne produkt stemmer overens med alle relevante forskrifter, der følger af direktiv 2011/65/EU (RoHS), 2006/42/EF, 2004/108/EF samt af følgende harmoniserede normative dokumenter:

EN 60745-1:2009 + A11:2010

EN 60745-2-11:2010

EN 55014-1:2006 + A1:2009 + A2:2011

EN 55014-2:1997 + A1:2001 + A2:2008

EN 61000-3-2:2006 + A1:2009 + A2:2009

EN 61000-3-3:2008

Winnenden, 2013-08-07

Alexander Krug  
Managing Director



Autoriseret til at udarbejde de tekniske dokumenter.

Techtronic Industries GmbH  
Max-Eyth-Straße 10  
71364 Winnenden  
Germany

## NETTILSLUTNING

Tilslutning må kun foretages til enfaset vekselstrøm og kun til en netspænding, som er i overensstemmelse med angivelsen på mærkepladen. Tilslutning kan også ske til stikdåser uden beskyttelseskontakt, da kapslingsklasse II foreligger.

## VEDLIGEHOLDELSE

Hold altid maskinens ventilationsåbninger rene.

Brug kun Milwaukee-tilbehør og Milwaukee-reservedele. Komponenter, hvor udskiftningsproceduren ikke er beskrevet, skal skiftes ud hos et Milwaukee-servicecenter (se brochure garanti/kundeserviceadresser).

Hvis det er nødvendigt, kan der bestilles en spørgeskitse af værktøjet. Angiv herved venligst maskintypen samt det sekscifrede nummer på mærkepladen og bestil tegningen hos din lokale kundeserviceafdeling eller direkte hos Techtronic Industries GmbH, Max-Eyth-Straße 10, 71364 Winnenden, Tyskland.

## SYMBOLER



Læs brugsanvisningen nøje før ibrugtagning.



Før ethvert arbejde ved maskinen skal stikket tages ud af stikdåsen.



Tilbehør - Ikke inkluderet i leveringsomfanget, køb købes som tilbehør.



Elværktøj må ikke bortskaffes som almindeligt affald! I henhold til det europæiske direktiv 2002/96/EF om bortskaffelse af elektriske og elektroniske produkter og gældende national lovgivning skal brugt elværktøj indsamles separat og bortskaffes på en måde, der skåner miljøet mest muligt.



Kapslingsklasse II, el-værktøj, hvor beskyttelsen mod elektrisk stød ikke kun afhænger af basisisoleringen, men hvor beskyttelsesforanstaltninger, såsom dobbelt isolering eller forstærket isolering, tillige finder anvendelse.

## TEKNISKE DATA

## Sabelsag

SSPE 1300 QX  
220-240 V 110 VSSPE 1300 SX  
220-240 V 110 V

Produksjonsnummer.....	3935 05 01... ..3935 10 01... ..4285 21 01... ..4291 06 01...
	...000001-999999 ..000001-999999 ..000001-999999 ..000001-999999
Nominell inngangseffekt .....	1300 W .....1200 W..... 1300 W .....1200 W
Avgitt effekt.....	600 W ..... 600 W..... 600 W ..... 600 W
Tomgangsslagfall.....	0-3000 min <sup>-1</sup> .. 0-3000 min <sup>-1</sup> .. 0-3000 min <sup>-1</sup> .. 0-3000 min <sup>-1</sup>
Slaghøyde .....	32 mm..... 32 mm..... 32 mm ..... 32 mm
Kuttedybde maks. in:	
Treverk.....	300 mm..... 300 mm ..... 300 mm ..... 300 mm
Metallrør / profiler .....	250 mm..... 250 mm ..... 250 mm ..... 250 mm
Vekt i henhold til EPTA-Prosedyren 01/2003.....	4,2 kg ..... 4,2 kg ..... 3,9 kg ..... 3,9 kg

## Støy/Vibrasjonsinformasjon

Måleverdier fastslått i samsvar med EN 60 745.

Det typiske A-bedømte støynivået for maskinen er:

Lydtrykknivå (K = 3dB(A)) .....	91 dB (A) ..... 91 dB (A) ..... 91 dB (A) ..... 91 dB (A)
Lydeffektnivå (K = 3dB(A)) .....	102 dB (A) ..... 102 dB (A) ..... 102 dB (A) ..... 102 dB (A)

## Bruk hørselsvern!

Totale svingningsverdier (vektorsum fra tre retninger)

beregnet jf. EN 60745.

Svingningsemisjonsverdi a<sub>h</sub>

Saging av trebjelker.....	14,5 m/s <sup>2</sup> ..... 14,5 m/s <sup>2</sup> ..... 14,5 m/s <sup>2</sup> ..... 14,5 m/s <sup>2</sup>
Usikkerhet K .....	1,5 m/s <sup>2</sup> ..... 1,5 m/s <sup>2</sup> ..... 1,5 m/s <sup>2</sup> ..... 1,5 m/s <sup>2</sup>
Saging av sponplater.....	22,5 m/s <sup>2</sup> ..... 22,5 m/s <sup>2</sup> ..... 22,5 m/s <sup>2</sup> ..... 22,5 m/s <sup>2</sup>
Usikkerhet K .....	1,5 m/s <sup>2</sup> ..... 1,5 m/s <sup>2</sup> ..... 1,5 m/s <sup>2</sup> ..... 1,5 m/s <sup>2</sup>

## TEKNISKE DATA

## Sabelsag

SSPE 1300 RX  
220-240 VSSPE 1500 X  
220-240 V 110 V

Produksjonsnummer.....	4405 91 01... ..4289 01 01... ..4291 46 01...
	...000001-999999 ..000001-999999 ..000001-999999
Nominell inngangseffekt .....	1300 W ..... 1500 W ..... 1500 W
Avgitt effekt.....	600 W ..... 750 W ..... 750 W
Tomgangsslagfall.....	0-3000 min <sup>-1</sup> ..... 0-2800 min <sup>-1</sup> ..... 0-2800 min <sup>-1</sup>
Slaghøyde .....	32 mm..... 32 mm..... 32 mm
Kuttedybde maks. in:	
Treverk.....	300 mm..... 300 mm ..... 300 mm
Metallrør / profiler .....	250 mm..... 250 mm ..... 250 mm
Vekt i henhold til EPTA-Prosedyren 01/2003.....	4,2 kg ..... 4,0 kg ..... 4,0 kg

## Støy/Vibrasjonsinformasjon

Måleverdier fastslått i samsvar med EN 60 745.

Det typiske A-bedømte støynivået for maskinen er:

Lydtrykknivå (K = 3dB(A)) .....	91 dB (A) ..... 91 dB (A) ..... 91 dB (A)
Lydeffektnivå (K = 3dB(A)) .....	102 dB (A) ..... 102 dB (A) ..... 102 dB (A)

## Bruk hørselsvern!

Totale svingningsverdier (vektorsum fra tre retninger)

beregnet jf. EN 60745.

Svingningsemisjonsverdi a<sub>h</sub>

Saging av trebjelker.....	14,5 m/s <sup>2</sup> ..... 15,2 m/s <sup>2</sup> ..... 15,2 m/s <sup>2</sup>
Usikkerhet K .....	1,5 m/s <sup>2</sup> ..... 1,6 m/s <sup>2</sup> ..... 1,6 m/s <sup>2</sup>
Saging av sponplater.....	22,5 m/s <sup>2</sup> ..... 19,9 m/s <sup>2</sup> ..... 19,9 m/s <sup>2</sup>
Usikkerhet K .....	1,5 m/s <sup>2</sup> ..... 2,2 m/s <sup>2</sup> ..... 2,2 m/s <sup>2</sup>

## ADVARSEL

Svingningsnivået som er angitt i denne instruksjonen er målt i overensstemmelse med målemetoden normert i direktiv EN 60745 og kan brukes til å sammenligne elektromaskiner med hverandre. Den egner seg også for en foreløpig vurdering av svingningsbelastningen.

Det angitte svingningsnivået representerer de hovedsaklige bruk av elektroverktøyet. Men anvendes elektroverktøyet for andre bruk med avvikende utskiftbare verktøy eller vedlikeholdet er utstrekkelig, kan svingningsnivået være avvikende.

Dette kan forhøye svingningsbelastning betydelig over hele arbeidsperioden. For en nøyaktig vurdering av svingningsbelastningen må også det tas hensyn til tiden apparatet er avslått eller står på, men ikke er i bruk. Dette kan redusere svingningsbelastningen betydelig over hele arbeidsperioden.

Innfør også ekstra sikkerhetstiltak for å beskytte bruker mot utvirkingen av svingningene. Disse kan f.eks. være: vedlikehold av elektroverktøyet og det utskiftbare verktøyet, holde hendene varme, organisasjon av arbeidsforløpet.

**⚠ OBS! Les alle sikkerhetsinstruksjoner og bruksanvisninger.** Feil ved overholdelsen av advarslene og nedenstående anvisninger kan medføre elektriske støt, brann og/eller alvorlige skader. **Ta godt vare på alle advarslene og informasjonene.**

## SPEIELLE SIKKERHETSHENVISNINGER

**Bruk hørselsvern.** Støy kan føre til tap av hørselen

**Hold apparatet i de isolerte holdeflatene, når det arbeides på steder hvor elektroverktøyet kan treffe skjulte strømledninger eller verktøyets egen kabel.**

Kontakt med en spenningsførende ledning setter også maskinens metalldeleer under spenning og fører til elektriske støt.

Stikkontakter utendørs må være utstyrt med feilstrøm-sikkerhetsbryter. Dette forlanges av installasjonsforskriften for elektroanlegg. Vennligst følg dette når du bruker vårt apparat.

Bruk alltid vernebrille når du arbeider med maskinen. Det anbefales å bruke arbeidshansker, faste og sklisikre sko og forkle.

Spon eller fliser må ikke fjernes mens maskinen er i gang.

Trekk støpslet ut av stikkontakten før du begynner arbeider på maskinen.

Maskinen må være slått av når den koples til stikkontakten.

Hold ledningen alltid vekk fra maskinens virkeområde. Før ledningen alltid bakover fra maskinen.

Støvet som oppstår ved arbeidet er ofte helsefarlig og skal ikke komme i kontakt med kroppen. Bruk derfor verneemaske som er egnet for støv.

Sagblad som har sprekker eller som har endret form må ikke brukes!

Dykksaging er kun mulig i bløttere materialer (treverk, lettere byggematerialer for vegger), for hardere materialer (metaller) må det brukes et sagblad med tilsvarende stor boring.

Plasser styrebøylen alltid mot emnet når du sager.

Pass på kabler, gass- og vannledninger når du arbeider i vegger, tak eller gulf.

Ved ekstreme arbeidsbetingelser (f.eks. arbeid i fuktige omgivelser, deling av rør som ennå kan inneholde flytende væske) er det absolutt nødvendig å koble for en jordfeilbryter (FI). Har FI - jordfeilbryteren slått seg på, må maskinen sendes til reparasjon.

## FORMÅLSMESSIG BRUK

Bajonettsagen sager treverk, plast og metall. Den skjærer rett, kurver og innvendige utsnitt. Den skjærer rør og skiller i flukt med flater.

Dette apparatet må kun brukes til de oppgitte formål.

## CE-SAMSVARERKLÆRING

Vi erklærer i alene ansvar at produktet beskrevet i „Teknisk data“ overensstemmer med alle relevante forskrifter til Eu direktiv 2011/65/EU (RoHS), 2006/42/EF, 2004/108/EF og de følgende harmoniserte normative dokumentene.

EN 60745-1:2009 + A11:2010

EN 60745-2-11:2010

EN 55014-1:2006 + A1:2009 + A2:2011

EN 55014-2:1997 + A1:2001 + A2:2008

EN 61000-3-2:2006 + A1:2009 + A2:2009

EN 61000-3-3:2008

Winnenden, 2013-08-07

*Alexander Krug*

Alexander Krug  
Managing Director



Autorisert til å utarbeide den tekniske dokumentasjonen

Techronic Industries GmbH

Max-Eyth-Straße 10

71364 Winnenden

Germany

## NETTLIKOPLING

Skal bare tilsluttes enfasevekselstrøm og bare til den på skilfet angitte nettspenning. Tilslutning til stikkontakter uten jordet kontakt er mulig fordi beskyttelse beskyttelsesklasse II er forhanden.

## VEDLIKEHOLD

Hold alltid luftenåpningene på maskinen rene.

Bruk kun Milwaukee tilbehør og Milwaukee reservedeler. Komponenter der utskiftning ikke er beskrevet skal skiftes ut hos Milwaukee kundeservice (se brosjyre garanti/kundeserviceadresser).

Ved behov kan det fås en eksplosjonstegning av apparatet hos kundeservice eller direkte hos Techronic Industries GmbH, Max-Eyth-Straße 10, 71364 Winnenden, Germany ved angivelse av maskinens type og det sekstallige nummeret på maskinens skilt.

## SYMBOLER



Les nøye gjennom bruksanvisningen før maskinen tas i bruk.



Trekk støpslet ut av stikkontakten før du begynner arbeider på maskinen.



Tilbehør - inngår ikke i leveransen, anbefalt komplettering fra tilbehørsprogrammet.



Kast aldri elektroverktøy i husholdningsavfallet! I henhold til EU-direktiv 2002/96/EF om kasserte elektriske og elektroniske produkter og direktivets iverksettning i nasjonal rett, må elektroverktøy som ikke lenger skal brukes, samles separat og returneres til et miljøvennlig gjenvinningsanlegg.



Verneklasse II, elektriske slag berør ikke bare på basisisoleringen, men også på at i tillegg vermetilak som dobbelte isolering eller forsterket isolering anvendes.

## TEKNISKA DATA

## Tigersåg

SSPE 1300 QX  
220-240 V 110 VSSPE 1300 SX  
220-240 V 110 V

Produktionsnummer .....	3935 05 01... ..3935 10 01... ..4285 21 01... ..4291 06 01...
	...00001-999999 ..00001-999999 ..00001-999999 ..00001-999999
Nominell upptagen effekt .....	1300 W .....1200 W..... 1300 W .....1200 W
uteffekt .....	600 W .....600 W..... 600 W .....600 W
Tomgångslagtal .....	0-3000 min <sup>-1</sup> .. 0-3000 min <sup>-1</sup> .. 0-3000 min <sup>-1</sup> ..0-3000 min <sup>-1</sup>
Slaglängd.....	32 mm..... 32 mm..... 32 mm..... 32 mm
Sågdjup max i:	
Trä .....	300 mm..... 300 mm..... 300 mm .....300 mm
Metallrör / Profiler .....	250 mm..... 250 mm..... 250 mm .....250 mm
Vikt enligt EPTA 01/2003 .....	4,2 kg .....4,2 kg..... 3,9 kg .....3,9 kg

**Buller-/vibrationsinformation**

Mätvärdena har tagits fram baserade på EN 60 745.

A-värdet av maskinens ljudnivå utgör:

Ljudtrycksnivå (K = 3 dB(A)) .....	91 dB (A) .....91 dB (A)..... 91 dB (A) .....91 dB (A)
Ljudeffektsnivå (K = 3 dB(A)) .....	102 dB (A) .....102 dB (A)..... 102 dB (A) .....102 dB (A)

**Använd hörselskydd!**

Totala vibrationsvärden (vektorsumma ur tre riktningar)

framtaget enligt EN 60745.

Vibrationsemissionsvärde a<sub>h</sub>

Såga träbjälkar .....	14,5 m/s <sup>2</sup> .....14,5 m/s <sup>2</sup> ..... 14,5 m/s <sup>2</sup> .....14,5 m/s <sup>2</sup>
Onoggrannhet K .....	1,5 m/s <sup>2</sup> .....1,5 m/s <sup>2</sup> ..... 1,5 m/s <sup>2</sup> .....1,5 m/s <sup>2</sup>
Sågning i spånplatta .....	22,5 m/s <sup>2</sup> .....22,5 m/s <sup>2</sup> ..... 22,5 m/s <sup>2</sup> .....22,5 m/s <sup>2</sup>
Onoggrannhet K .....	1,5 m/s <sup>2</sup> .....1,5 m/s <sup>2</sup> ..... 1,5 m/s <sup>2</sup> .....1,5 m/s <sup>2</sup>

## TEKNISKA DATA

## Tigersåg

SSPE 1300 RX  
220-240 VSSPE 1500 X  
220-240 V 110 V

Produktionsnummer .....	4405 91 01... ..4289 01 01... ..4291 46 01...
	...00001-999999 ..00001-999999 ..00001-999999
Nominell upptagen effekt .....	1300 W .....1500 W..... 1500 W .....1500 W
uteffekt .....	600 W .....750 W..... 750 W .....750 W
Tomgångslagtal .....	0-3000 min <sup>-1</sup> .....0-2800 min <sup>-1</sup> ..... 0-2800 min <sup>-1</sup> ..0-2800 min <sup>-1</sup>
Slaglängd.....	32 mm..... 32 mm..... 32 mm..... 32 mm
Sågdjup max i:	
Trä .....	300 mm.....300 mm .....300 mm .....300 mm
Metallrör / Profiler .....	250 mm..... 250 mm..... 250 mm .....250 mm
Vikt enligt EPTA 01/2003 .....	4,2 kg .....4,0 kg..... 4,0 kg .....4,0 kg

**Buller-/vibrationsinformation**

Mätvärdena har tagits fram baserade på EN 60 745.

A-värdet av maskinens ljudnivå utgör:

Ljudtrycksnivå (K = 3 dB(A)) .....	91 dB (A) .....91 dB (A)..... 91 dB (A) .....91 dB (A)
Ljudeffektsnivå (K = 3 dB(A)) .....	102 dB (A) .....102 dB (A)..... 102 dB (A) .....102 dB (A)

**Använd hörselskydd!**

Totala vibrationsvärden (vektorsumma ur tre riktningar)

framtaget enligt EN 60745.

Vibrationsemissionsvärde a<sub>h</sub>

Såga träbjälkar .....	14,5 m/s <sup>2</sup> .....15,2 m/s <sup>2</sup> ..... 15,2 m/s <sup>2</sup> .....15,2 m/s <sup>2</sup>
Onoggrannhet K .....	1,5 m/s <sup>2</sup> .....1,6 m/s <sup>2</sup> ..... 1,6 m/s <sup>2</sup> .....1,6 m/s <sup>2</sup>
Sågning i spånplatta .....	22,5 m/s <sup>2</sup> .....19,9 m/s <sup>2</sup> ..... 19,9 m/s <sup>2</sup> .....19,9 m/s <sup>2</sup>
Onoggrannhet K .....	1,5 m/s <sup>2</sup> .....2,2 m/s <sup>2</sup> ..... 2,2 m/s <sup>2</sup> .....2,2 m/s <sup>2</sup>

**VARNING**

Den i de här anvisningarna angivna vibrationsnivån har uppmätts enligt ett i EN 60745 normerat mätförfarande och kan användas vid jämförelse mellan olika elverktyg. Nivån är även lämplig att använda vid en preliminär bedömning av vibrationsbelastningen.

Den angivna vibrationsnivån representerar den huvudsakliga användningen av det aktuella elverktyget. Men om elverktyget ska användas i andra användningsområden, tillsammans med avvikande insatsverktyg eller efter otillräckligt underhåll, kan vibrationsnivån skilja sig. Det kan öka vibrationsbelastningen betydligt under hela arbetstiden.

För att få en exaktare bedömning av vibrationsbelastningen ska även den tid beaktas, under vilken elverktyget är avstängt eller är påslaget, utan att det verkligen används. Det kan reducera vibrationsbelastningen betydligt under hela arbetstiden.

Lägg som skydd för användaren fast extra säkerhetsåtgärder mot vibrationernas verkan, som till exempel: underhåll av elverktyg och insatsverktyg, varmhållning av händer och organisering av arbetsförlopp.

**⚠️ VARNING! Läs all säkerhetsinformation och alla anvisningar.** Fel som uppstår till följd av att anvisningarna nedan inte följts kan orsaka elstöt, brand och/eller allvarliga kroppsskador.

**Förvara alla varningar och anvisningar för framtida bruk.**

## SÄKERHETSUTRUSTNING

**Bär hörselskydd.** Bullerbelastning kan orsaka hörselskador.

**Håll fast apparaten med hjälp av de isolerade greppytorna när du utför arbeten där arbetsverktyget skulle kunna träffa på dolda elledningar eller kablar.** Om sägen kommer i kontakt med en spänningsförande ledning sätts sågens metalldelar under spänning som sedan kan leda till elektriskt slag.

Anslut alltid verktyget till jordat eluttag vid användning utomhus.

Använd alltid skyddsglasögon, skyddshandskar och hörselskydd.

Avlägsna aldrig spän eller flisor när maskinen är igång.

Drag alltid ur kontakten när du utför arbeten på maskinen.

Maskinen skall vara fränkopplad innan den ansluts till väggurtag.

Nätkabeln skall alltid hållas ifrån arbetsområdet. Lägg kabeln bakåt i förhållande till arbetsriktningen.

Det damm som bildas under arbetets gång är ofta hälsofarligt och det ska inte komma in i kroppen. Bär därför lämplig skyddsmask.

Spruckna sågklingor eller sådana som förändrat form får ej användas!

Är endast möjlig i mjuka material (trä m.m.) vid hårdare material (metall) rekommenderas förborring.

Vid sågning skall alltid styrbygeln ligga an mot arbetsstycket.

Vid arbetenborring i vägg, tak eller golv, var alltid observant på befintliga el-, gas- eller vattenledningar.

Vid extrema arbetsförhållanden (t ex arbete i fuktig omgivning, skärning av rör som fortfarande innehåller vätska) är det absolut nödvändigt att koppla en felström (FI) skydds brytare framför. Efter att FI-brytaren har reagerat måste maskinen lämnas in för reparation.

## ANVÄND MASKINEN ENLIGT ANVISNINGARNA

Sabelsåg sågar trä, plast och metall. Den skär rakt, sågar kurvor och kapa plant.

Maskinen får endast användas för den angivna tillämpning.

## CE-FÖRSÄKRAN

Vi intygar och ansvarar för att den produkt som beskrivs under "Tekniska data" överensstämmer med alla relevanta bestämmelser i direktiv 2011/65/EU (RoHS), 2006/42/EG, 2004/108/EG och följande harmoniserade normerande dokument:

EN 60745-1:2009 + A11:2010

EN 60745-2-11:2010

EN 55014-1:2006 + A1:2009 + A2:2011

EN 55014-2:1997 + A1:2001 + A2:2008

EN 61000-3-2:2006 + A1:2009 + A2:2009

EN 61000-3-3:2008

Winnenden, 2013-08-07

*Alexander Krug*

Alexander Krug  
Managing Director



Befullmäktigad att sammanställa teknisk dokumentation.

Techtronic Industries GmbH  
Max-Eyth-Straße 10  
71364 Winnenden  
Germany

## NÄTANSLUTNING

Får endast anslutas till 1-fas växelström och till den spänning som anges på dataskylten. Anslutning kan även ske till eluttag utan skyddskontakt, eftersom konstruktionen motsvarar skyddsklass II.

## SKÖTSEL

Se till att motorhöljets luftslitsar är rena.

Använd endast Milwaukee-tillbehör och Milwaukee-reservdelar. Komponenter, för vilka inget byte beskrivs, skall bytas ut hos Milwaukee-kundtjänst (se broschyren garanti-/kundtjänstadresser).

Vid behov kan du rekvidrera apparatens sprängskiss antingen hos kundservicen eller direkt hos Techtronic Industries GmbH, Max-Eyth-Straße 10, 71364 Winnenden, Germany. Du ska då ange maskintypen och numret på sex siffror som står på effektskylten.

## SYMBOLER



Läs instruktionen noga innan du startar maskinen.



Drag alltid ur kontakten när du utför arbeten på maskinen.



Tillbehör - Ingår ej i leveransomfånget, erhålles som tillbehör.



Elektriska verktyg får inte kastas i hushållssoporna! Enligt direktivet 2002/96/EG som avser äldre elektrisk och elektronisk utrustning och dess tillämpning enligt nationell lagstiftning ska uttjänta elektriska verktyg sorteras separat och lämnas till miljövänlig återvinning.



Skyddsklass II, elverktyg där skyddet mot elektriska stötar inte bara hänför sig till en basisolering, utan som också har extra skyddsanordningar, som t.ex. en dubbel isolering eller en förstärkt isolering.

TEKNISET ARVOT	Puukkosaha	SSPE 1300 QX		SSPE 1300 SX	
		220-240 V	110 V	220-240 V	110 V
Tuotantonumero .....		3935 05 01... ..3935 10 01... ..4285 21 01... ..4291 06 01...			
		...000001-999999 .....	...000001-999999 .....	...000001-999999 .....	...000001-999999 .....
Nimellinen teho .....		1300 W .....	1200 W .....	1300 W .....	1200 W .....
Antoteho .....		600 W .....	600 W .....	600 W .....	600 W .....
Kuormittamaton iskuluku .....		0-3000 min <sup>-1</sup> .....	0-3000 min <sup>-1</sup> .....	0-3000 min <sup>-1</sup> .....	0-3000 min <sup>-1</sup> .....
Iskun pituus .....		32 mm .....	32 mm .....	32 mm .....	32 mm .....
Leikkaussyvytydet:					
Puuhun .....		300 mm .....	300 mm .....	300 mm .....	300 mm .....
Metalliputkien / profiilit .....		250 mm .....	250 mm .....	250 mm .....	250 mm .....
Paino EPTA-meneteltyä 01/2003 mukaan .....		4,2 kg .....	4,2 kg .....	3,9 kg .....	3,9 kg .....

### Melunpäästö-/täriäätiedot

Mitta-arvot määritetty EN 60 745 mukaan.

Koneen tyypillinen A-luokitettu melutaso:

Melutaso (K = 3 dB(A)).....91 dB (A) .....91 dB (A)..... 91 dB (A).....91 dB (A)

Äänenvoimakkuus (K = 3 dB(A)).....102 dB (A) .....102 dB (A)..... 102 dB (A).....102 dB (A)

### Käytä kuulosuojaimia!

Värähtelyn yhteisarvot (kolmen suunnan vektorisumma) mitattuna EN 60745 mukaan.

Värähtelyemissioarvo a<sub>n</sub>

Puupalkkien sahaaminen .....14,5 m/s<sup>2</sup> .....14,5 m/s<sup>2</sup> ..... 14,5 m/s<sup>2</sup> .....14,5 m/s<sup>2</sup>

Epävarmuus K .....1,5 m/s<sup>2</sup> .....1,5 m/s<sup>2</sup> ..... 1,5 m/s<sup>2</sup> .....1,5 m/s<sup>2</sup>

Lastulevyn sahaaminen .....22,5 m/s<sup>2</sup> .....22,5 m/s<sup>2</sup> ..... 22,5 m/s<sup>2</sup> .....22,5 m/s<sup>2</sup>

Epävarmuus K .....1,5 m/s<sup>2</sup> .....1,5 m/s<sup>2</sup> ..... 1,5 m/s<sup>2</sup> .....1,5 m/s<sup>2</sup>

TEKNISET ARVOT	Puukkosaha	SSPE 1300 RX		SSPE 1500 X	
		220-240 V	110 V	220-240 V	110 V
Tuotantonumero .....		4405 91 01... ..4289 01 01... ..4291 46 01...			
		...000001-999999 .....	...000001-999999 .....	...000001-999999 .....	...000001-999999 .....
Nimellinen teho .....		1300 W .....	1500 W .....	1500 W .....	1500 W .....
Antoteho .....		600 W .....	750 W .....	750 W .....	750 W .....
Kuormittamaton iskuluku .....		0-3000 min <sup>-1</sup> .....	0-2800 min <sup>-1</sup> .....	0-2800 min <sup>-1</sup> .....	0-2800 min <sup>-1</sup> .....
Iskun pituus .....		32 mm .....	32 mm .....	32 mm .....	32 mm .....
Leikkaussyvytydet:					
Puuhun .....		300 mm .....	300 mm .....	300 mm .....	300 mm .....
Metalliputkien / profiilit .....		250 mm .....	250 mm .....	250 mm .....	250 mm .....
Paino EPTA-meneteltyä 01/2003 mukaan .....		4,2 kg .....	4,0 kg .....	4,0 kg .....	4,0 kg .....

### Melunpäästö-/täriäätiedot

Mitta-arvot määritetty EN 60 745 mukaan.

Koneen tyypillinen A-luokitettu melutaso:

Melutaso (K = 3 dB(A)).....91 dB (A) .....91 dB (A)..... 91 dB (A).....91 dB (A)

Äänenvoimakkuus (K = 3 dB(A)).....102 dB (A) .....102 dB (A)..... 102 dB (A).....102 dB (A)

### Käytä kuulosuojaimia!

Värähtelyn yhteisarvot (kolmen suunnan vektorisumma) mitattuna EN 60745 mukaan.

Värähtelyemissioarvo a<sub>n</sub>

Puupalkkien sahaaminen .....14,5 m/s<sup>2</sup> .....15,2 m/s<sup>2</sup> .....15,2 m/s<sup>2</sup>

Epävarmuus K .....1,5 m/s<sup>2</sup> .....1,6 m/s<sup>2</sup> .....1,6 m/s<sup>2</sup>

Lastulevyn sahaaminen .....22,5 m/s<sup>2</sup> .....19,9 m/s<sup>2</sup> .....19,9 m/s<sup>2</sup>

Epävarmuus K .....1,5 m/s<sup>2</sup> .....2,2 m/s<sup>2</sup> .....2,2 m/s<sup>2</sup>

### VAROITUS

Näissä ohjeissa mainittu värähtelytaso on mitattu EN 60745 -standardin mukaisella mittausmenetelmällä ja sitä voidaan käyttää sähkötyökalujen vertaamiseen. Sitä voidaan käyttää myös värähtelyrasituksen väliaikaiseen arviointiin.

Mainittu värähtelytaso edustaa sähkötyökalun pääasiallista käyttöä. Jos sähkötyökalua kuitenkin käytetään muihin tehtäviin, poikkeavin työkaluun tai riittämättömästi huoltaen, värähtelytaso voi olla erilainen. Se voi korottaa värähtelyrasitusta koko työajan osalta.

Tarkan värähtelyrasituksen toteamiseen tulee ottaa huomioon aika, jona laite on kytketty pois tai on kylläkin päällä, mutta ei käytössä. Se voi pienentää värähtelyrasitusta koko työajan osalta.

Määrittele lisäturvatoimenpiteitä käyttäjän suojaamiseksi värinöiden vaikutukselta, kuten esimerkiksi: sähkötyökalujen ja käyttötyökalujen huolto, käsien lämpimänä pitäminen, työvaiheiden organisaatio.

**VAROITUS!** Lue kaikki turvallisuusmääräykset ja ohjeet. Turvallisuusohjeiden noudattamisen laiminlyönti saattaa johtaa sähköiskuun, tulipaloon ja/tai vakavaan loukkaantumiseen.  
**Säilytä kaikki turvallisuus- ja muut ohjeet tulevaisuutta varten.**

## TURVALLISUUSOHJEET

**Käytä korvasuojia.** Altistuminen melulle voi vahingoittaa kuuloa.

**Pitele laitetta vain eristetyistä tarttumapinnoista, kun suoritat sellaisia töitä, joissa leikkausvälikala saattaa osua piilossa oleviin sähköjohtoihin tai omaan liitäntäjohtoon.** Kosketus jännitteeseen johtoon saattaa myös koneen metalliosat jännitteisiksi ja johtaa sähköiskuun.

Ulkokäytössä olevat pistorasiat on varustettava vikavirta-suojajkytkimillä sähkölaitteistosi asennusmääräyksen mukaisesti. Muista tarkistaa, että laite liitetään ulkokäytössä ulkopistorasiaan ja neuvottele asiasta sähköasentajasi kanssa.

Käytä laitteella työskennellessäsi aina suojalaseja. Suojakäsineiden, turvallisten ja tukevapohjaisten kenkien, kuulosuojainten ja suojaesiliinan käyttöä suositellaan.

Lastuja tai puruja ei saa poistaa koneen käydessä.

Irrota aina pistotulppa seinäkoskettimesta ennen koneeseen tehtäviä toimempiteitä.

Varmista, että kone on sammutettu ennen kytkemistä sähköverkkoon.

Pidä sähköjohto poissa koneen käyttöalueelta. Siirrä se aina taaksesi.

Koneen käytöstä aiheutuva pöly ja jäte voi olla haitallista terveydelle eikä sen vuoksi tulisi päästä kosketukseen ihon kanssa. Koneella työskennellessä on käytettävä sopivaa suojainta.

Rikkinäisiä sahanteriä tai sellaisia, jotka ovat muuttaneet muotoaan ei saa käyttää!

Uputussahaus on mahdollista vain pehmeämpiin materiaaleihin (puu, kevytrakenteiset seinät), koviin materiaaleihin (metallit) on ensin tehtävä sahanterän suuruinen porausaukko.

Pidä sahaustuki aina työkalpaletta vasten.

Varo seinään, kattoon tai lattiaan porattaessa osumasta sähköjohtoon, kaasu- ja vesijohtoihin.

Vaikeissa käyttöolosuhteissa (esim. työskenneltäessä kosteassa ympäristössä tai kun katkaistaan sellaisia putkia, joissa saattaa vielä olla nestettä) on ehdottomasti kytkettävä koneen eteen vuotovirtasuojajkytkin. Jos vuotovirtasuojajkytkin on lauennut, täytyy kone lähettää meille korjattavaksi.

## TARKOITUKSEN MUKAINEN KÄYTTÖ

Puukkosaha pystyy puuhun, muoviiin ja metalliin. Sillä voidaan sahata suorita, viistoja ja käyriä leikkauksia sekä reikiä.

Älä käytä tuotetta ohjeiden vastaisesti.

## TODISTUS CE-STANDARDIN MUKAISUUDESTA

Vakuutamme yksinvastuullisesti, että kohdassa "Tekniset tiedot" kuvattu tuote vastaa kaikkia sitä koskevia direktiivien 2011/65/EU (RoHS), 2006/42/EY, 2004/108/EY määräyksiä sekä seuraavia harmonisointia standardisoivia asiakirjoja:

EN 60745-1:2009 + A11:2010

EN 60745-2-11:2010

EN 55014-1:2006 + A1:2009 + A2:2011

EN 55014-2:1997 + A1:2001 + A2:2008

EN 61000-3-2:2006 + A1:2009 + A2:2009

EN 61000-3-3:2008

Winnenden, 2013-08-07



Alexander Krug  
Managing Director



Valtuutettu kokoamaan tekniset dokumentit.

Techricon Industries GmbH  
Max-Eyth-Straße 10  
71364 Winnenden  
Germany

## VERKKOLIITÄNTÄ

Yhdistä ainoastaan yksivaiheiseen vaihtovirtaan, jonka verkkojännite on sama kuin tyyppikilvessä ilmoitettu. Myös liittäminen maadoittamattomiin pistorasioihin on mahdollista, sillä rakenne vastaa turvallisuusluokkaa II.

## HUOLTO

Pidä moottorin ilmanottoaukot puhtaina.

Käytä ainoastaan Milwaukee lisätarvikkeita ja Milwaukee varaosia. Mikäli jokin komponentti, jota ei ole kuvailtu, tarvitsee vaihtoa ota yhteys johonkin Milwaukee palvelupisteistä (kts. listamme takuuhuoltoilikkeiden/ palvelupisteiden osoitteista)

Tarvittaessa voit pyytää laitteen räjähdyspiirustuksen ilmoittaan konetyypin ja tyyppikilvessä olevan kuusinumeroinen luvun huoltopalvelustasi tai suoraan osoitteella Techricon Industries GmbH, Max-Eyth-Strasse 10, 71364 Winnenden, Saksa.

## SYMBOLIT



Lue käyttöohjeet huolellisesti, ennen koneen käynnistämistä.



Irrota aina pistotulppa seinäkoskettimesta ennen koneeseen tehtäviä toimempiteitä.



Lisälaite - Ei sisälly vakiovarustukseen, saatavana lisätarvikkeena.



Älä hävitä sähkötyökalua tavallisen kotitalousjätteen mukana! Vanhoja sähkö- ja elektroniikkalaitteita koskevan EU-direktiivin 2002/96/ETY ja sen maakohtaisten sovellusten mukaisesti käytetyt sähkötyökalut on toimitettava ongelmajätteen keräyspisteeseen ja ohjattava ympäristöystävälliseen kierrätykseen.



II luokan sähkötyökalu, jonka sähköiskusuojaus ei ole riippuvainen vain peruseristyksestä, vaan lisäturvatoimenpiteistä, kuten kaksinkertaisesta eristyksestä tai vahvistetusta eristyksestä.

ΤΕΧΝΙΚΑ ΣΤΟΙΧΕΙΑ	ΣΠΑΘΟΣΕΓΑ		SSPE 1300 QX		SSPE 1300 SX	
	220-240 V	110 V	220-240 V	110 V	220-240 V	110 V
Αριθμός παραγωγής.....	3935 05 01... ..00001-999999	3935 10 01... ..00001-999999	4285 21 01... ..00001-999999	4291 06 01... ..00001-999999		
Όνομαστική ισχύς .....	1300 W	1200 W	1300 W	1200 W		
Αποδιδόμενη ισχύς .....	600 W	600 W	600 W	600 W		
Αριθμός παλινδρομήσεων χωρίς φορτίο .....	0-3000 min <sup>-1</sup>	0-3000 min <sup>-1</sup>	0-3000 min <sup>-1</sup>	0-3000 min <sup>-1</sup>		
Ύψος διαδρομής.....	32 mm	32 mm	32 mm	32 mm		
Μέγιστο βάθος κοπής σε:						
Ξύλο.....	300 mm	300 mm	300 mm	300 mm		
Μεταλλικοί σωλήνες / Προφίλ.....	250 mm	250 mm	250 mm	250 mm		
Βάρος σύμφωνα με τη διαδικασία EPTA 01/2003 .....	4,2 kg	4,2 kg	3,9 kg	3,9 kg		

#### Πληροφορίες θορύβου/δονήσεων

Τιμές μέτρησης εξακριβωμένες κατά EN 60 745.

Η σύμφωνη με την καμπύλη Α εκτιμηθείσα στάθμη

θορύβου του μηχανήματος αναφέρεται σε:

Στάθμη ηχητικής πίεσης (K = 3dB(A)) .....	91 dB (A)	91 dB (A)	91 dB (A)	91 dB (A)
Στάθμη ηχητικής ισχύος (K = 3dB(A)).....	102 dB (A)	102 dB (A)	102 dB (A)	102 dB (A)

#### Φοράτε προστασία ακοής (ωτασπίδες)!

Υλικές τιμές κραδασμών (άθροισμα διανυσμάτων τριών

διευθύνσεων) εξακριβώθηκαν σύμφωνα με τα πρότυπα EN 60745.

Τιμή εκπομπής δονήσεων a<sub>h</sub>

Κοπή ξύλινων δοκών .....	14,5 m/s <sup>2</sup>	14,5 m/s <sup>2</sup>	14,5 m/s <sup>2</sup>	14,5 m/s <sup>2</sup>
Ανασφάλεια K .....	1,5 m/s <sup>2</sup>	1,5 m/s <sup>2</sup>	1,5 m/s <sup>2</sup>	1,5 m/s <sup>2</sup>
Πρίονισμα μοριοσανίδες .....	22,5 m/s <sup>2</sup>	22,5 m/s <sup>2</sup>	22,5 m/s <sup>2</sup>	22,5 m/s <sup>2</sup>
Ανασφάλεια K .....	1,5 m/s <sup>2</sup>	1,5 m/s <sup>2</sup>	1,5 m/s <sup>2</sup>	1,5 m/s <sup>2</sup>

ΤΕΧΝΙΚΑ ΣΤΟΙΧΕΙΑ	ΣΠΑΘΟΣΕΓΑ		SSPE 1300 RX		SSPE 1500 X	
	220-240 V	110 V	220-240 V	110 V	220-240 V	110 V
Αριθμός παραγωγής.....	4405 91 01... ..00001-999999	4405 91 01... ..00001-999999	4289 01 01... ..00001-999999	4291 46 01... ..00001-999999		
Όνομαστική ισχύς .....	1300 W	1200 W	1500 W	1500 W		
Αποδιδόμενη ισχύς .....	600 W	600 W	750 W	750 W		
Αριθμός παλινδρομήσεων χωρίς φορτίο .....	0-3000 min <sup>-1</sup>	0-3000 min <sup>-1</sup>	0-2800 min <sup>-1</sup>	0-2800 min <sup>-1</sup>		
Ύψος διαδρομής.....	32 mm	32 mm	32 mm	32 mm		
Μέγιστο βάθος κοπής σε:						
Ξύλο.....	300 mm	300 mm	300 mm	300 mm		
Μεταλλικοί σωλήνες / Προφίλ.....	250 mm	250 mm	250 mm	250 mm		
Βάρος σύμφωνα με τη διαδικασία EPTA 01/2003 .....	4,2 kg	4,2 kg	4,0 kg	4,0 kg		

#### Πληροφορίες θορύβου/δονήσεων

Τιμές μέτρησης εξακριβωμένες κατά EN 60 745.

Η σύμφωνη με την καμπύλη Α εκτιμηθείσα στάθμη

θορύβου του μηχανήματος αναφέρεται σε:

Στάθμη ηχητικής πίεσης (K = 3dB(A)) .....	91 dB (A)	91 dB (A)	91 dB (A)	91 dB (A)
Στάθμη ηχητικής ισχύος (K = 3dB(A)).....	102 dB (A)	102 dB (A)	102 dB (A)	102 dB (A)

#### Φοράτε προστασία ακοής (ωτασπίδες)!

Υλικές τιμές κραδασμών (άθροισμα διανυσμάτων τριών

διευθύνσεων) εξακριβώθηκαν σύμφωνα με τα πρότυπα EN 60745.

Τιμή εκπομπής δονήσεων a<sub>h</sub>

Κοπή ξύλινων δοκών .....	14,5 m/s <sup>2</sup>	15,2 m/s <sup>2</sup>	15,2 m/s <sup>2</sup>
Ανασφάλεια K .....	1,5 m/s <sup>2</sup>	1,6 m/s <sup>2</sup>	1,6 m/s <sup>2</sup>
Πρίονισμα μοριοσανίδες .....	22,5 m/s <sup>2</sup>	19,9 m/s <sup>2</sup>	19,9 m/s <sup>2</sup>
Ανασφάλεια K .....	1,5 m/s <sup>2</sup>	2,2 m/s <sup>2</sup>	2,2 m/s <sup>2</sup>

#### ΠΡΟΕΙΔΟΠΟΙΗΣΗ

Το αναφερόμενο σ' αυτές τις οδηγίες επίπεδο δονήσεων έχει μετρηθεί με μια τυποποιημένη σύμφωνα με το EN 60745 μέθοδο μέτρησης και μπορεί να χρησιμοποιηθεί για τη σύγκριση των ηλεκτρικών εργαλείων μεταξύ τους. Αυτό είναι επίσης κατάλληλο για μια προσωρινή εκτίμηση της επιβάρυνση των δονήσεων.

Το αναφερόμενο επίπεδο δονήσεων αντιπροσωπεύει τις κύριες χρήσεις του ηλεκτρικού εργαλείου. Εάν όμως το ηλεκτρικό χρησιμοποιείται σε άλλες χρήσεις, με διαφορετικά εργαλεία εφαρμογής ή ανεπαρκή συντήρηση, μπορεί να υπάρξει απόκλιση του επιπέδου δονήσεων. Αυτό μπορεί να αυξήσει σημαντικά την επιβάρυνση των δονήσεων για τη συνολική διάρκεια της εργασίας.

Για μια ακριβή εκτίμηση της επιβάρυνσης των δονήσεων οφείλουν επίσης να λαμβάνονται υπόψη οι χρόνοι, στους οποίους η συσκευή είναι απενεργοποιημένη ή είναι μεν ενεργοποιημένη αλλά δεν χρησιμοποιείται πραγματικά. Αυτό μπορεί να μειώσει σημαντικά την επιβάρυνση των δονήσεων για τη συνολική διάρκεια της εργασίας.

Καθορίζετε πρόσθετα μέτρα ασφαλείας για την προστασία του χειριστή από την επίδραση των δονήσεων όπως για παράδειγμα: Συντήρηση του ηλεκτρικού εργαλείου και των εργαλείων εφαρμογής, διατηρείτε ζεστά τα χέρια, οργάνωση των διαδικασιών εργασίας.

**⚠ ΠΡΟΣΟΧΗ!** Διαβάστε όλες τις οδηγίες ασφαλείας και τις οδηγίες χρήσεως. Αμέλειες κατά την τήρηση των προειδοποιητικών υποδείξεων μπορεί να προκαλέσουν ηλεκτροπληξία, κίνδυνο πυρκαγιάς ή/και σοβαρούς τραυματισμούς.

Φυλάξτε όλες τις προειδοποιητικές υποδείξεις και οδηγίες για κάθε μελλοντική χρήση.



## ΕΙΔΙΚΕΣ ΥΠΟΔΕΙΞΕΙΣ ΑΣΦΑΛΕΙΑΣ

**Φοράτε ωτοασπίδες.** Η επίδραση θορύβου μπορεί να προκαλέσει απώλεια ακοής.

**Να πιάνετε τη συσκευή στις μονωμένες χειρολαβές όταν εκτελείτε εργασίες κατά τις οποίες τα κοπτικά εργαλεία θα μπορούσαν να επάνω σε κρυμμένα καλώδια ρεύματος ή στο δικό της καλώδιο.** Η επαφή του πριονόδισκου με μια υπό τάση ευρισκόμενη ηλεκτρική γραμμή θέτει επίσης και τα μεταλλικά τμήματα του μηχανήματος υπό τάση κι έτσι μπορεί να οδηγήσει σε ηλεκτροπληξία.

Οι πρίζες στους εξωτερικούς χώρους πρέπει να είναι εξοπλισμένες με μικροαυτόματους διακόπτες προστασίας. Αυτό απαιτεί ο σχετικός κανονισμός από την ηλεκτρική σας εγκατάσταση. Προσέξτε παρακαλώ αυτό το σημείο κατά τη χρήση της συσκευής μας.

Στις εργασίες με τη μηχανή φοράτε πάντοτε προστατευτικά γυαλιά. Συνιστάνται τα προστατευτικά γάντια, τα σταθερά και αντιολισθητικά παπούτσια και η ποδιά.

Τα γρέζια ή τα σκλήθρες δεν επιτρέπεται να απομακρύνονται με κινούμενη τη μηχανή.

Πριν από κάθε εργασία στη μηχανή τραβάτε το φως από την πρίζα.

Συνδέστε τη μηχανή στην πρίζα μόνο, εφόσον βρίσκεται απενεργοποιημένη.

Κρατάτε το καλώδιο σύνδεσης πάντοτε μακριά από την περιοχή δράσης της μηχανής. Περνάτε το καλώδιο πάντοτε πίσω από τη μηχανή.

Η σκόνη που δημιουργείται κατά την εργασία είναι συχνά επιβλαβής για την υγεία και δεν επιτρέπεται να έλθει στο σώμα. Να φοράτε κατάλληλη μάσκα προστασίας από σκόνη.

Οι ραγισμένες πριονόλαμες (πριονόδοιοι) ή αυτές που έχουν παραμορφωθεί δεν επιτρέπεται να χρησιμοποιηθούν!

Το πριόνισμα με βύθισμα είναι δυνατό μόνο σε μαλακά υλικά (ξύλο, ελαφρά δομικά υλικά ή τοιχώματα), στα σκληρότερα υλικά (μέταλλα) πρέπει να γίνει μια οπή αντίστοιχη στο μέγεθος της πριονόλαμας.

Κατά το πριόνισμα ακουμπάτε το βραχίονα οδήγησης πάντοτε στο επεξεργαζόμενο κομμάτι.

Κατά τις εργασίες στον τοίχο, στην οροφή ή στο δάπεδο προσέχετε για τυχόν ηλεκτρικά καλώδια και για σωλήνες αερίου και νερού.

Σε ακραίες συνθήκες χρήσης (π. χ. εργασία σε περιβάλλον με υγρασία, κοπή σωλήνων, οι οποίοι θα μπορούσαν να περιέχουν ακόμα υγρό) είναι οπωσδήποτε απαραίτητη η σύνδεση σ' ένα διακόπτη προστασίας σφάλματος γείωσης (GFCI). Μετά από μια ενεργοποίηση του διακόπτη προστασίας σφάλματος γείωσης (GFCI) πρέπει το εργαλείο να αποσταλεί για επισκευή.

## ΧΡΗΣΗ ΣΥΜΦΩΝΑ ΜΕ ΤΟ ΣΚΟΠΟ ΠΡΟΟΡΙΣΜΟΥ

Η σπαθόσγα πριονίζει ξύλο, πλαστικό και μέταλλο. Κόβει ευθεία, καμπύλες και εσωτερικά ανοίγματα. Κόβει σωλήνες και χωρίζει "πρόσωπο" με την επικάμεια.

Αυτή η συσκευή επιτρέπεται να χρησιμοποιηθεί μόνο σύμφωνα με τον αναφερόμενο σκοπό προορισμού.

## ΔΗΛΩΣΗ ΠΙΣΤΟΤΗΤΑΣ ΕΚ

Δηλώνουμε υπεύθυνα ότι το προϊόν που περιγράφεται στο κεφάλαιο «Τεχνικά χαρακτηριστικά» είναι συμβατό με τις διατάξεις της Κοινοτικής Οδηγίας 2011/65/EU (RoHS), 2006/42/EK, 2004/108/EK και με τα ακόλουθα εναρμονισμένα κανονιστικά έγγραφα:

EN 60745-1:2009 + A11:2010

EN 60745-2-11:2010

EN 55014-1:2006 + A1:2009 + A2:2011

EN 55014-2:1997 + A1:2001 + A2:2008

EN 61000-3-2:2006 + A1:2009 + A2:2009

EN 61000-3-3:2008

Winnenden, 2013-08-07

*Alexander Krug*

Alexander Krug  
Managing Director



Εξουσιοδοτημένος να συντάξει τον τεχνικό φάκελο.

Techtronic Industries GmbH

Max-Eyth-Straße 10

71364 Winnenden

Germany

## ΣΥΝΔΕΣΗ ΣΤΟ ΗΛΕΚΤΡΙΚΟ ΔΙΚΤΥΟ

Συνδέστε μόνο σε μονοφασικό εναλλασσόμενο ρεύμα και μόνο σε τάση δικτύου όπως αναφέρεται στην πινακίδα τεχνικών χαρακτηριστικών. Η σύνδεση είναι επίσης εφικτή σε πρίζες χωρίς προστασία επαφής, διότι υπάρχει μια δομή της κατηγορίας προστασίας II.

## ΣΥΝΤΗΡΗΣΗ

Διατηρείτε πάντοτε τις σχισμές εξαερισμού στη μηχανή καθαρές.

Χρησιμοποιείτε μόνο πρόσθ. εξαρτήματα Milwaukee και ανταλλακτικά Milwaukee. Κατασκ. τμήματα, που η αλλαγή τους δεν περιγράφεται, αντικαθίστανται σε μια τεχνική υποστήριξη της Milwaukee (βλέπε φυλλάδιο εγγύηση) διευθύνσεις τεχνικής υποστήριξης).

Σε περίπτωση που το χρειαστείτε μπορείτε να παραγγείτε λεπτομερές σχέδιο της συσκευής αναφέροντας τον τύπο και τον εξαψήφιο αριθμό που βρίσκεται στην πινακίδα τεχνικών χαρακτηριστικών από την εξυπηρέτηση πελατών ή απευθείας από την Techtronic Industries GmbH, διεύθυνση Max-Eyth-Straße 10, 71364 Winnenden, Germany.

## ΣΥΜΒΟΛΑ



Παρακαλώ διαβάστε σχολαστικά τις οδηγίες χρήσης πριν από την έναρξη λειτουργίας.



Πριν από κάθε εργασία στη μηχανή τραβάτε το φως από την πρίζα.



Εξαρτήματα - Δεν περιλαμβάνονται στα υλικά παράδοση, συνιστούμενη προσθήκη από το πρόγραμμα εξαρτημάτων.



Μην πετάτε τα ηλεκτρικά εργαλεία στον κόβρο οικιακών απορριμμάτων! Σύμφωνα με την ευρωπαϊκή οδηγία 2002/96/EK περί ηλεκτρικών και ηλεκτρονικών συσκευών και την ενσωμάτωση της στο εθνικό δίκαιο, τα ηλεκτρικά εργαλεία πρέπει να συλλέγονται ξεχωριστά και να πιστοποιούνται για ανακύκλωση με τρόπο φιλικό προς το περιβάλλον.



Κατηγορία προστασίας II, ηλεκτρικό εργαλείο, στο οποίο η προστασία έναντι ηλεκτροπληξίας δεν εξαρτάται μόνο από τη βασική μόνωση, αλλά από την εφαρμογή πρόσθετων προστατευτικών μέτρων όπως διπλή μόνωση ή ενισχυμένη μόνωση.

## TEKNİK VERİLER

## Kılıç testere

SSPE 1300 QX  
220-240 V 110 VSSPE 1300 SX  
220-240 V 110 V

Üretim numarası .....	3935 05 01... ..3935 10 01... ..4285 21 01... ..4291 06 01...
	...000001-999999 ..000001-999999 ..000001-999999 ..000001-999999
Giriş gücü .....	1300 W .....1200 W..... 1300 W .....1200 W
Çıkış gücü.....	600 W ..... 600 W..... 600 W ..... 600 W
Boşta ki strok sayısız .....	0-3000 min <sup>-1</sup> .. 0-3000 min <sup>-1</sup> .. 0-3000 min <sup>-1</sup> ..0-3000 min <sup>-1</sup>
Strok yüksekliđi.....	32 mm ..... 32 mm ..... 32 mm ..... 32 mm
Maksimum kesme derinliđi:	
Tahta.....	300 mm..... 300 mm ..... 300 mm ..... 300 mm
Metal borular / Profiller .....	250 mm..... 250 mm ..... 250 mm ..... 250 mm
Ađırlıđı ise EPTA-üretici 01/2003'e göre.....	4,2 kg ..... 4,2 kg ..... 3,9 kg ..... 3,9 kg

**Gürültü/Vibrasyon bilgileri**

Ölçüm değeri EN 60 745 e göre belirlenmektedir.

Aletin, frekansa bađımlı uluslararası ses basıncı seviyesi

deđerlendirme eğrisi A'ya göre tipik gürültü seviyesi:

Ses basıncı seviyesi (K = 3dB(A)).....	91 dB (A) ..... 91 dB (A) ..... 91 dB (A) ..... 91 dB (A)
Akustik kapasite seviyesi (K = 3 dB(A)) .....	102 dB (A) ..... 102 dB (A) ..... 102 dB (A) ..... 102 dB (A)

**Koruyucu kulaklık kullanın!**

Toplam titreşim değeri (üç yönün vektör toplamı) EN

60745'e göre belirlenmektedir:

Titreşim emisyon değeri a<sub>w</sub>

Ađaç direklerin testere edilmesi.....	14,5 m/s <sup>2</sup> ..... 14,5 m/s <sup>2</sup> ..... 14,5 m/s <sup>2</sup> ..... 14,5 m/s <sup>2</sup>
Tolerans K.....	1,5 m/s <sup>2</sup> ..... 1,5 m/s <sup>2</sup> ..... 1,5 m/s <sup>2</sup> ..... 1,5 m/s <sup>2</sup>
Kontrplak yontma.....	22,5 m/s <sup>2</sup> ..... 22,5 m/s <sup>2</sup> ..... 22,5 m/s <sup>2</sup> ..... 22,5 m/s <sup>2</sup>
Tolerans K.....	1,5 m/s <sup>2</sup> ..... 1,5 m/s <sup>2</sup> ..... 1,5 m/s <sup>2</sup> ..... 1,5 m/s <sup>2</sup>

## TEKNİK VERİLER

## Kılıç testere

SSPE 1300 RX  
220-240 VSSPE 1500 X  
220-240 V 110 V

Üretim numarası .....	4405 91 01... ..4289 01 01... ..4291 46 01...
	...000001-999999 ..000001-999999 ..000001-999999 ..000001-999999
Giriş gücü .....	1300 W .....1500 W..... 1500 W .....1500 W
Çıkış gücü.....	600 W ..... 750 W..... 750 W ..... 750 W
Boşta ki strok sayısız .....	0-3000 min <sup>-1</sup> ..... 0-2800 min <sup>-1</sup> ..... 0-2800 min <sup>-1</sup> ..... 0-2800 min <sup>-1</sup>
Strok yüksekliđi.....	32 mm ..... 32 mm ..... 32 mm ..... 32 mm
Maksimum kesme derinliđi:	
Tahta.....	300 mm..... 300 mm ..... 300 mm ..... 300 mm
Metal borular / Profiller .....	250 mm..... 250 mm ..... 250 mm ..... 250 mm
Ađırlıđı ise EPTA-üretici 01/2003'e göre.....	4,2 kg ..... 4,0 kg ..... 4,0 kg ..... 4,0 kg

**Gürültü/Vibrasyon bilgileri**

Ölçüm değeri EN 60 745 e göre belirlenmektedir.

Aletin, frekansa bađımlı uluslararası ses basıncı seviyesi

deđerlendirme eğrisi A'ya göre tipik gürültü seviyesi:

Ses basıncı seviyesi (K = 3dB(A)).....	91 dB (A) ..... 91 dB (A) ..... 91 dB (A) ..... 91 dB (A)
Akustik kapasite seviyesi (K = 3 dB(A)) .....	102 dB (A) ..... 102 dB (A) ..... 102 dB (A) ..... 102 dB (A)

**Koruyucu kulaklık kullanın!**

Toplam titreşim değeri (üç yönün vektör toplamı) EN

60745'e göre belirlenmektedir:

Titreşim emisyon değeri a<sub>w</sub>

Ađaç direklerin testere edilmesi.....	14,5 m/s <sup>2</sup> ..... 15,2 m/s <sup>2</sup> ..... 15,2 m/s <sup>2</sup>
Tolerans K.....	1,5 m/s <sup>2</sup> ..... 1,6 m/s <sup>2</sup> ..... 1,6 m/s <sup>2</sup>
Kontrplak yontma.....	22,5 m/s <sup>2</sup> ..... 19,9 m/s <sup>2</sup> ..... 19,9 m/s <sup>2</sup>
Tolerans K.....	1,5 m/s <sup>2</sup> ..... 2,2 m/s <sup>2</sup> ..... 2,2 m/s <sup>2</sup>

**UYARI**

Bu talimatlarda belirtilen titreşim seviyesi, EN 60745 standardına uygun bir ölçme metodu ile ölçülmüştür ve elektrikli el aletleri birbiriyle karşılaştırmak için kullanılabilir. Ölçüm sonuçları ayrıca titreşim yükünün geçici deđerlendirmesi için de uygundur.

Belirtilen titreşim seviyesi, elektrikli el aletinin genel uygulamaları için geçerlidir. Ancak elektrikli el aleti başka uygulamalar için, farklı eklenti parçalarıyla ya da yetersiz bakım koşullarında kullanılırsa, titreşim seviyesi farklılık gösterebilir. Bu durumda, titreşim yükü toplam çalışma zaman aralığı içerisinde belirgin ölçüde yükselebilir.

Titreşim yükünün tam bir deđerlendirmesi için ayrıca cihazın kapalı olduđu süreler ve cihazın çalışır durumda olduđu, ancak gerçek kullanımda bulunmadığı süreler de dikkate alınmalıdır. Böylelikle, toplam çalışma zamanı aralığı boyunca meydana gelen titreşim yükü belirgin ölçüde azaltılabilir.

Kullanıcıyı titreşimlerin etkisinden korumak üzere, örneğin elektrikli el aletlerinin ve eklenti parçalarının bakımı, ellerin sıcak tutulması ve iş akışlarının organizasyonu gibi ek güvenlik tedbirleri belirleyiniz.

**⚠ UYARI!** Bütün güvenlik notlarını ve talimatları okuyunuz. Açıklanan uyarılara ve talimat hükümlerine uyulmadığı takdirde elektrik çarpmalarına, yangınlara ve/veya ağır yaralanmalara neden olabilir. **Bütün uyarıları ve talimat hükümlerini ileride kullanmak üzere saklayın.**

## GÜVENLİĞİNİZ İÇİN TALİMATLAR

**Koruyucu kulaklık kullanın.** Çalışırken çıkan gürültü işitme kayıplarına neden olabilir.

**Kesme aletinin eğrilmiş elektrik kabloları veya kendi kablosuna isabet eden çalışmalar yapıırken cihazı izole edilmiş kollarından tutun.** Elektrik akımı ileten kablolarla temas edilecek olursa metal alet elemanlarına da gerilim geçer ve bu da elektrik çarpmalarına neden olabilir.

Açık havadaki prizler hatalı akım koruma şalteri ile donatılmış olmalıdır. Bu, elektrik tesisatınızdaki bir zorunluluktur. Lütfen aletimizi kullanırken bu hususa dikkat edin.

Aletle çalışırken daima koruyucu gözlük kullanın. Koruyucu iş eldivenleri, sağlam ve kaymaz ayakkabılar ve iş önlüğü kullanmanızı tavsiye ederiz.

Alet çalışır durumda iken talaş ve kırpıntıları temizlemeye çalışmayın.

Aletin kendinde bir çalışma yapmadan önce fişi prizden çekin.

Aleti sadece kapalı iken prize takın.

Bağlantı kablosunu aletten uzak tutun. Kablo daima aletin arkasında olmalıdır ve toplanmamalıdır.

Çalışma sırasında ortaya çıkan toz genellikle sağlığa zararlıdır ve bedeninize temas etmemelidir. Uygun bir koruyucu toz maskesi kullanın

Çatlamış ve deforme olmuş testere bıçaklarını kullanmayın!

Malzeme içine dalarak kesme sadece yumuşak malzemelerde (tahta, duvarlarda kullanılan hafif yapı malzemeleri gibi) mümkündür. Sert malzemelerde ise testere bıçağı boyutuna uygun bir ön kılavuz delik açılmalıdır.

Kesme işlemi sırasında kılavuz kolu daima iş parçası üzerine dayayın.

Duvar, tavan ve zeminde delik açarken elektrik kablolarına, gaz ve su borularına dikkat edin.

Ağır çalışma koşullarında (örneğin rutubetli çevrede çalışma, içinde sıvı bulunabilecek boruların ayrılması gibi) hatalı elektrik akımının - (FI) koruma şalterinin önceden acilen devreye sokulması gereklidir. FI-Koruma şalteri okunduktan sonra makinenin tamirata gönderilmesi gerekir.

## KULLANIM

Bu panter testere tahta, plastik ve metalleri keser; düz, kavisli ve içten kesme işleri yapar. Boruları keser ve yüzeyle aynı hizada kesme yapar.

Bu alet sadece belirttiği gibi ve usulüne uygun olarak kullanılabilir.

## CE UYGUNLUK BEYANI

Tek sorumlu olarak "Teknik Veriler" bölümünde tarif edilen ürünün 2011/65/EU (RoHS), 2006/42/EC, 2004/108/EC sayılı direktifin ve aşağıdaki harmonize temel belgelerin bütün önemli hükümlerine uygun olduğunu beyan etmekteyiz:

EN 60745-1:2009 + A11:2010

EN 60745-2-11:2010

EN 55014-1:2006 + A1:2009 + A2:2011

EN 55014-2:1997 + A1:2001 + A2:2008

EN 61000-3-2:2006 + A1:2009 + A2:2009

EN 61000-3-3:2008

Winnenden, 2013-08-07

*Alexander Krug*

Alexander Krug  
Managing Director



Teknik evrakları hazırlamakla görevlendirilmiştir.

Techtronic Industries GmbH  
Max-Eyth-Straße 10  
71364 Winnenden  
Germany

## BEBEKE BAĞLANTISI

Aleti sadece tek fazlı alternatif akıma ve tip etiketi üzerinde belirtilen şebeke gerilimine bağlayın. Yapısı Koruma sınıfı II'ye girdiğinden alet koruyucu kontaksız prize de bağlanabilir.

## BAKIM

Aletin havalandırma aralıklarını daima temiz tutun.

Sadece Milwaukee aksesuarı ve yedek parçası kullanın. Nasıl değiştirileceği açıklanmamış olan yapı parçalarını bir Milwaukee müşteri servisinde değiştirin (Garanti ve servis adresi broşürüne dikkat edin).

Gerektiğinde cihazın ayrıntılı çizimini, güç levhası üzerindeki makine modelini ve altı haneli rakamı belirterek müşteri servisinizden veya doğrudan Techtronic Industries GmbH, Max-Eyth-Straße 10, 71364 Winnenden, Germany adresinden isteyebilirsiniz.

## SEMBOLLER



Lütfen aleti çalıştırmadan önce kullanma kılavuzunu dikkatli biçimde okuyun.



Aletin kendinde bir çalışma yapmadan önce fişi prizden çekin.



Aksesuar - Teslimat kapsamında değildir, önerilen tamamamlar aksesuar programında.



Elektrikli el aletlerini evdeki çöp kutusuna atmayınız! Kullanılmış elektrikli aletleri, elektrik ve elektronik eski cihazlar hakkındaki 2002/96/EC Avrupa yönergelerine göre ve bu yönergeler ulusal hukuk kurallarına göre uyarlanarak, ayrı olarak toplanmalı ve çevre şartlarına uygun bir şekilde tekrar değerlendirilmeye gönderilmelidir.



Koruma sınıfı II, elektrik tepkisine karşı korumanın sadece baz izolasyonuna bağlı olmayan elektro alet, bilakis çift izolasyon veya takviye edilen izolasyon gini ek koruyucu tedbirler uygulanır.

TECHNICKÁ DATA	Šavlové pily		SSPE 1300 QX		SSPE 1300 SX	
			220-240 V	110 V	220-240 V	110 V
Výrobní číslo.....	3935 05 01...	3935 10 01...	4285 21 01...	4291 06 01...	000001-999999	000001-999999
Jmenovitý příkon .....	1300 W	1200 W	1300 W	1200 W	000001-999999	000001-999999
Odběr .....	600 W	600 W	600 W	600 W	000001-999999	000001-999999
Počet zdvihů při b. napr .....	0-3000 min <sup>-1</sup>	0-3000 min <sup>-1</sup>	0-3000 min <sup>-1</sup>	0-3000 min <sup>-1</sup>	000001-999999	000001-999999
Výška zdvíhu.....	32 mm	32 mm	32 mm	32 mm	000001-999999	000001-999999
Řezná hloubka max. v:					000001-999999	000001-999999
Dřevo .....	300 mm	300 mm	300 mm	300 mm	000001-999999	000001-999999
Kovové trubky / profily .....	250 mm	250 mm	250 mm	250 mm	000001-999999	000001-999999
Hmotnost podle prováděcího předpisu EPTA 01/2003 .....	4,2 kg	4,2 kg	3,9 kg	3,9 kg	000001-999999	000001-999999

### Informace o hluku / vibracích

Naměřené hodnoty odpovídají EN 60 745.

V třídě A posuzovaná hladina hluku přístroje činí typicky:

Hladina akustického tlaku (K=3 dB(A)) ..... 91 dB (A) ..... 91 dB (A) ..... 91 dB (A) ..... 91 dB (A)

Hladina akustického výkonu (K=3 dB(A)) ..... 102 dB (A) ..... 102 dB (A) ..... 102 dB (A) ..... 102 dB (A)

### Použijte chrániče sluchu !

Celkové hodnoty vibrací (vektorový součet tří směrů)

zjištěné ve smyslu EN 60745.

Hodnota vibračních emisí a<sub>h</sub>

  Řezání dřevěných trámů ..... 14,5 m/s<sup>2</sup> ..... 14,5 m/s<sup>2</sup> ..... 14,5 m/s<sup>2</sup> ..... 14,5 m/s<sup>2</sup>

  Kolisavost K ..... 1,5 m/s<sup>2</sup> ..... 1,5 m/s<sup>2</sup> ..... 1,5 m/s<sup>2</sup> ..... 1,5 m/s<sup>2</sup>

  Řezání dřevotřísky ..... 22,5 m/s<sup>2</sup> ..... 22,5 m/s<sup>2</sup> ..... 22,5 m/s<sup>2</sup> ..... 22,5 m/s<sup>2</sup>

  Kolisavost K ..... 1,5 m/s<sup>2</sup> ..... 1,5 m/s<sup>2</sup> ..... 1,5 m/s<sup>2</sup> ..... 1,5 m/s<sup>2</sup>

TECHNICKÁ DATA	Šavlové pily		SSPE 1300 RX		SSPE 1500 X	
			220-240 V	110 V	220-240 V	110 V
Výrobní číslo.....	4405 91 01...	4289 01 01...	4291 46 01...	000001-999999	000001-999999	000001-999999
Jmenovitý příkon .....	1300 W	1500 W	1500 W	000001-999999	000001-999999	000001-999999
Odběr .....	600 W	750 W	750 W	000001-999999	000001-999999	000001-999999
Počet zdvihů při b. napr .....	0-3000 min <sup>-1</sup>	0-2800 min <sup>-1</sup>	0-2800 min <sup>-1</sup>	000001-999999	000001-999999	000001-999999
Výška zdvíhu.....	32 mm	32 mm	32 mm	000001-999999	000001-999999	000001-999999
Řezná hloubka max. v:				000001-999999	000001-999999	000001-999999
Dřevo .....	300 mm	300 mm	300 mm	000001-999999	000001-999999	000001-999999
Kovové trubky / profily .....	250 mm	250 mm	250 mm	000001-999999	000001-999999	000001-999999
Hmotnost podle prováděcího předpisu EPTA 01/2003 .....	4,2 kg	4,0 kg	4,0 kg	000001-999999	000001-999999	000001-999999

### Informace o hluku / vibracích

Naměřené hodnoty odpovídají EN 60 745.

V třídě A posuzovaná hladina hluku přístroje činí typicky:

Hladina akustického tlaku (K=3 dB(A)) ..... 91 dB (A) ..... 91 dB (A) ..... 91 dB (A)

Hladina akustického výkonu (K=3 dB(A)) ..... 102 dB (A) ..... 102 dB (A) ..... 102 dB (A)

### Použijte chrániče sluchu !

Celkové hodnoty vibrací (vektorový součet tří směrů)

zjištěné ve smyslu EN 60745.

Hodnota vibračních emisí a<sub>h</sub>

  Řezání dřevěných trámů ..... 14,5 m/s<sup>2</sup> ..... 15,2 m/s<sup>2</sup> ..... 15,2 m/s<sup>2</sup>

  Kolisavost K ..... 1,5 m/s<sup>2</sup> ..... 1,6 m/s<sup>2</sup> ..... 1,6 m/s<sup>2</sup>

  Řezání dřevotřísky ..... 22,5 m/s<sup>2</sup> ..... 19,9 m/s<sup>2</sup> ..... 19,9 m/s<sup>2</sup>

  Kolisavost K ..... 1,5 m/s<sup>2</sup> ..... 2,2 m/s<sup>2</sup> ..... 2,2 m/s<sup>2</sup>

## VAROVÁN

Úroveň chvění uvedená v tomto návodu byla naměřena podle metody měření stanovené normou EN 60745 a může být použita pro porovnání elektrického nářadí. Hodí se také pro průběžný odhad zatížení chvěním.

Uvedená úroveň chvění představuje hlavní účely použití elektrického nářadí. Jestliže se ale elektrické nářadí používá pro jiné účely, s odlišnými nástroji nebo s nedostatečnou údržbou, může se úroveň chvění odlišovat. To může značně zvýšit zatížení chvěním během celé pracovní doby.

Pro přesný odhad zatížení chvěním se musí také zohlednit časy, během kterých je přístroj vypnutý nebo kdy je sice v chodu, ale skutečně se s ním nepracuje. To může zatížení chvěním během celé pracovní doby značně snížit.

Stanovte doplňková bezpečnostní opatření pro ochranu obsluhy před účinky chvění jako například: technická údržba elektrického nářadí a nástrojů, udržování teploty rukou, organizace pracovních procesů.

**⚠ UPOZORNĚNÍ! Přečtěte si všechny bezpečnostní pokyny a návody.** Zanedbání při dodržování varovných upozornění a pokynů mohou mít za následek úder elektrickým proudem, požár a/nebo těžká poranění. **Všechna varovná upozornění a pokyny do budoucna uschovejte.**

### SPECIÁLNÍ BEZPEČNOSTNÍ UPOZORNĚNÍ

**Používejte chrániče sluchu.** Působením hluku může dojít k poškození sluchu.

**Při provádění prací, při kterých nástroj může narazit na skryta elektrická vedení nebo na vlastní kabel, držte přístroj za izolované přidržovací plošky.**

Kontakt s vedením pod napětím přivádí napětí i na kovové díly stroje a vede k elektrickému úderu.

Ve venkovním prostředí musí být zásuvky vybaveny proudovým chráničem. Je to vyžadováno instalačním předpisem pro toto el.zařízení. Dodržujte ho při používání tohoto nářadí, prosím.

Při práci s vrtacím kladivem neustále nosit ochranné brýle. Doporučuje se používat ochranné rukavice, pevnou protiskluzovou obuv a zástěru.

Pokud vrtací kladivo běží, nesmí být odstraňovány třísky nebo odštěpky.

Před zahájením veškerých prací na vrtacím kladivu vytáhnout síťovou zástrčku ze zásuvky.

Vrtací kladivo zapínat do zásuvky pouze když je vypnuté.

Neustále dbát na to, aby byl kabel pro připojení k elektrické síti mimo dosah vrtacího kladiva. Kabel vést vždy směrem dozadu od vrtacího kladiva.

Popraskané nebo zdeformované pilové listy nesmí být používány!

Takzvané ponorné řezy jsou možné jen u měkkých materiálů. Zapneme nástroj a nasadíme ho na vodící třmen, jednou rukou dobře přidržujeme kryt a druhou rukou zatlačíme ovladač nahoru a zanoříme pilový list.

Při řezání přiložte na kus vodící úhelník.

Při vrtání do zdi, stropu nebo podlahy dávat pozor na elektrické kabely, plynová a vodovodní potrubí.

V extrémních podmínkách nasazení (například při pracích ve vlhkém prostředí, při řezání trubek, které dosud mohou obsahovat tekutiny) je bezpodmínečně nutné zapojit před nástroj automatický spínač diferenciální ochrany. Po sepnutí ochranného spínače se nástroj musí poslat k opravě.

### OBLAST VYUŽITÍ

Pila děrovka řeže dřevo, plasty a kov. Řeže přímkově, v křivkách a vnitřní průřezy. Řeže trubky a odděluje zarovnaně.

Toto zařízení lze používat jen pro uvedený účel.

### CE-PROHLÁŠENÍ O SHODĚ

Výhradně na vlastní zodpovědnost prohlašujeme, že se výrobek popsany v „Technických údajích“ shoduje se všemi relevantními předpisy směrnice 2011/65/EU (RoHS), 2006/42/ES, 2004/108/ES a s následujícími harmonizovanými normativními dokumenty:

EN 60745-1:2009 + A11:2010

EN 60745-2-11:2010

EN 55014-1:2006 + A1:2009 + A2:2011

EN 55014-2:1997 + A1:2001 + A2:2008

EN 61000-3-2:2006 + A1:2009 + A2:2009

EN 61000-3-3:2008

Winnenden, 2013-08-07

*Alexander Krug*

Alexander Krug  
Managing Director



Zplnomocněn k sestavování technických podkladů.

Techtronic Industries GmbH  
Max-Eyth-Straße 10  
71364 Winnenden  
Germany

### PŘIPOJENÍ NA SÍŤ

Připojit pouze do jednofázové střídavé sítě o napětí uvedeném na štítku. Lze připojit i do zásuvky bez ochranného kontaktu neboť spotřebič je třídy II.

### ÚDRŽBA

Větrací štěrbinu nářadí udržujeme stále čisté.

Používat výhradně příslušenství Milwaukee a náhradní díly Milwaukee. Díly jejichž výměny nebyla popsána, nechte vyměnit v autorizovaném servisu (viz. "Záruky / Seznam servisních míst")

V případě potřeby si můžete v servisním centru pro zákazníky nebo přímo od firmy Techtronic Industries GmbH, Max-Eyth-Straße 10, 71364 Winnenden, Německo vyžádat schematický náčrt jednotlivých dílů přístroje, když uvedete typ přístroje a šestimístné číslo na výkonovém štítku.

### SYMBOLY



Před spuštěním stroje si pečlivě přečtěte návod k používání.



Před zahájením veškerých prací na vrtacím kladivu vytáhnout síťovou zástrčku ze zásuvky.



Příslušenství není součástí dodávky, viz program příslušenství.



Elektrické nářadí nevyhazujte do komunálního odpadu! Podle evropské směrnice 2002/96/EG o nakládání s použitými elektrickými a elektronickými zařízeními a odpovídajících ustanovení právních předpisů jednotlivých zemí se použitá elektrická nářadí musí sbírat odděleně od ostatního odpadu a podrobit ekologicky šetrnému recyklování.



Třída ochrany II, elektrické nářadí, u kterého ochrana proti úrazu elektrickým proudem nezávisí pouze na základní izolaci, nýbrž i na přijetí dalších ochranných opatření, jako provedení s dvojitou nebo zesílenou izolací.

**TECHNICKÉ ÚDAJE**
**Šabl'ová píla**

	SSPE 1300 QX		SSPE 1300 SX	
	220-240 V	110 V	220-240 V	110 V
Výrobné číslo.....	3935 05 01... ..000001-999999	3935 10 01... ..000001-999999	4285 21 01... ..000001-999999	4291 06 01... ..000001-999999
Menovitý príkon.....	1300 W	1200 W	1300 W	1200 W
Výkon.....	600 W	600 W	600 W	600 W
Počet zdvihov naprázdno.....	0-3000 min <sup>-1</sup>	0-3000 min <sup>-1</sup>	0-3000 min <sup>-1</sup>	0-3000 min <sup>-1</sup>
Výška zdvíhu.....	32 mm	32 mm	32 mm	32 mm
Max. hĺbka rezu v:				
Drevo.....	300 mm	300 mm	300 mm	300 mm
Kovová rúra / profily.....	250 mm	250 mm	250 mm	250 mm
Hmotnosť podľa vykonávacieho predpisu EPTA 01/2003.....	4,2 kg	4,2 kg	3,9 kg	3,9 kg

**Informácia o hluku / vibráciách**

Namerané hodnoty určené v súlade s EN 60 745.

V triede A posudzovaná hladina hluku prístroja činí

typicky:				
Hladina akustického tlaku (K=3 dB(A)).....	91 dB (A)	91 dB (A)	91 dB (A)	91 dB (A)
Hladina akustického výkonu (K=3 dB(A)).....	102 dB (A)	102 dB (A)	102 dB (A)	102 dB (A)

**Používajte ochranu sluchu!**

Celkové hodnoty vibrácií (vektorový súčet troch smerov)

zistené v zmysle EN 60745.

Hodnota vibračných emisií a<sub>v</sub>

Rezanie drevených trémov.....	14,5 m/s <sup>2</sup>	14,5 m/s <sup>2</sup>	14,5 m/s <sup>2</sup>	14,5 m/s <sup>2</sup>
Kolisavosť K.....	1,5 m/s <sup>2</sup>	1,5 m/s <sup>2</sup>	1,5 m/s <sup>2</sup>	1,5 m/s <sup>2</sup>
Rezanie trieskovej doske.....	22,5 m/s <sup>2</sup>	22,5 m/s <sup>2</sup>	22,5 m/s <sup>2</sup>	22,5 m/s <sup>2</sup>
Kolisavosť K.....	1,5 m/s <sup>2</sup>	1,5 m/s <sup>2</sup>	1,5 m/s <sup>2</sup>	1,5 m/s <sup>2</sup>

**TECHNICKÉ ÚDAJE**
**Šabl'ová píla**

	SSPE 1300 RX		SSPE 1500 X	
	220-240 V	110 V	220-240 V	110 V
Výrobné číslo.....	4405 91 01... ..000001-999999	4289 01 01... ..000001-999999	4291 46 01... ..000001-999999	
Menovitý príkon.....	1300 W	1500 W	1500 W	
Výkon.....	600 W	750 W	750 W	
Počet zdvihov naprázdno.....	0-3000 min <sup>-1</sup>	0-2800 min <sup>-1</sup>	0-2800 min <sup>-1</sup>	
Výška zdvíhu.....	32 mm	32 mm	32 mm	
Max. hĺbka rezu v:				
Drevo.....	300 mm	300 mm	300 mm	
Kovová rúra / profily.....	250 mm	250 mm	250 mm	
Hmotnosť podľa vykonávacieho predpisu EPTA 01/2003.....	4,2 kg	4,0 kg	4,0 kg	

**Informácia o hluku / vibráciách**

Namerané hodnoty určené v súlade s EN 60 745.

V triede A posudzovaná hladina hluku prístroja činí

typicky:				
Hladina akustického tlaku (K=3 dB(A)).....	91 dB (A)	91 dB (A)	91 dB (A)	
Hladina akustického výkonu (K=3 dB(A)).....	102 dB (A)	102 dB (A)	102 dB (A)	

**Používajte ochranu sluchu!**

Celkové hodnoty vibrácií (vektorový súčet troch smerov)

zistené v zmysle EN 60745.

Hodnota vibračných emisií a<sub>v</sub>

Rezanie drevených trémov.....	14,5 m/s <sup>2</sup>	15,2 m/s <sup>2</sup>	15,2 m/s <sup>2</sup>	
Kolisavosť K.....	1,5 m/s <sup>2</sup>	1,6 m/s <sup>2</sup>	1,6 m/s <sup>2</sup>	
Rezanie trieskovej doske.....	22,5 m/s <sup>2</sup>	19,9 m/s <sup>2</sup>	19,9 m/s <sup>2</sup>	
Kolisavosť K.....	1,5 m/s <sup>2</sup>	2,2 m/s <sup>2</sup>	2,2 m/s <sup>2</sup>	

**POZOR**

Úroveň vibrácií uvedená v týchto pokynoch bola nameraná meracou metódou, ktorú stanovuje norma EN 60745 a je možné ju použiť na vzájomné porovnanie elektrického náradia. Hodí sa aj na predbežné posúdenie kmitavého namáhania.

Uvedená úroveň vibrácií reprezentuje hlavné aplikácie elektrického náradia. Ak sa však elektrické náradie používa pre iné aplikácie, s odlišnými vloženými nástrojmi alebo s nedostatočnou údržbou, môže sa úroveň vibrácií líšiť. Toto môže kmitavé namáhanie v priebehu celej pracovnej doby podstatne zvýšiť.

Pre presný odhad kmitavého namáhania by sa mali tiež zohľadniť doby, v ktorých je náradie vypnuté alebo je síce v chode, ale v skutočnosti sa nepoužíva. Toto môže kmitavé namáhanie v priebehu celej pracovnej doby zreteľne redukovať.

Stanovte dodatočné bezpečnostné opatrenia pre ochranu obsluhy pred účinkami vibrácií, ako napríklad: údržba elektrického náradia a vložených nástrojov, udržiavanie teploty rúk, organizácia pracovných postupov.

**⚠ UPOZORNENIE! Prečítajte si všetky bezpečnostné pokyny a návody.** Zanedbanie dodržiavania Výstražných upozornení a pokynov uvedených v nasledujúcom texte môže mať za následok zásah elektrickým prúdom, spôsobíť požiar a/alebo ťažké poranenie.

**Tieto Výstražné upozornenia a bezpečnostné pokyny starostlivo uchovejate na budúce použitie.**

## ŠPECIÁLNE BEZPEČNOSTNÉ POKYNY

**Používajte ochranu sluchu.** Pôsobenie hluku môže spôsobiť stratu sluchu.

**Pri realizovaní prác, pri ktorých nástroj môže naraziť na skryté elektrické vedenie alebo na vlastný kábel, držte prístroj za izolované pridržovacie plošky.** Kontakt s vedením, ktoré je pod napätím, spôsobí, že aj kovové súčiastky náradia sa dostanú pod napätie, čo má za následok zásah elektrickým prúdom.

Zásuvky vo vonkajšom prostredí musia byť vybavené ochranným spínačom proti prúdovým nárazom. Toto je inštalčný predpis na Vaše elektrické zariadenie.

Venujte prosím tomuto pozornosť pri používaní nášho prístroja.

Pri práci so strojom vždy noste ochranné okuliare. Odporúčame ochranné rukavice, pevnú protišmykovú obuv a zásteru.

Triesky alebo úlomky sa nesmú odstraňovať za chodu stroja.

Pred každou prácou na stroji vyťahnite zástrčku zo zásuvky.

Len vypnutý stroj pripájajte do zásuvky.

Pripojovací kábel držte mimo pracovnej oblasti stroja. Kábel smerujte vždy smerom dozadu od stroja.

Prach vznikajúci pri práci môže byť škodlivý zdraviu. Pri práci nosiť vhodnú ochrannú masku, aby sa nedostal do ľudského organizmu.

Popraskané pilové listy alebo také, ktoré zmenili tvar, nesmú sa použiť.

Ponorné pílenie je možné len v mäkkších materiáloch (drevo, ľahké stavebné materiály pre steny), v tvrdších materiáloch (kovy) sa musí vyvrtat najprv diera odpovedajúca veľkosti pilového listu.

Vodiaci oblúk musí pri pílení vždy doliehať na obrobok.

Pri práci v stene, strope alebo v podlahe dávajte pozor na elektrické káble, plynové a vodovodné potrubia.

V extrémnych podmienkach nasadenia (napríklad pri prácach vo vlhkom prostredí, pri rezaní trubiek, ktoré dosiaľ môžu obsahovať tekutiny) je bezpečnostne nutné zapojiť pred nástroj automatický spínač diferenciálnej ochrany. Po zopnutí ochranného spínača sa nástroj musí poslať do opravy.

## POUŽITIE PODĽA PREDPISOV

Šablovitá píla píl drevo, plast a kov. Pílí priamky, krivky a vnútorné výrezy. Reže rúry a plošne oddeľuje.

Tento prístroj sa smie používať len v súlade s uvedenými predpismi.

## CE - VYHLÁSENIE KONFORMITY

Výhradne na vlastnú zodpovednosť vyhlasujeme, že výrobok popísaný v „Technických údajoch“ sa zhoduje so všetkými relevantnými predpismi smernice 2011/65/EU (RoHS), 2006/42/EC, 2004/108/EC a nasledujúcimi harmonizujúcimi normatívnymi dokumentmi:

EN 60745-1:2009 + A11:2010

EN 60745-2-11:2010

EN 55014-1:2006 + A1:2009 + A2:2011

EN 55014-2:1997 + A1:2001 + A2:2008

EN 61000-3-2:2006 + A1:2009 + A2:2009

EN 61000-3-3:2008

Winnenden, 2013-08-07



Alexander Krug  
Managing Director



Spĺnomocnený zostaviť technické podklady.

Techtronic Industries GmbH

Max-Eyth-Straße 10

71364 Winnenden

Germany

## SIEŤOVÁ PRÍPOJKA

Pripájať len na jednofázový striedavý prúd a na sieťové napätie uvedené na štítku. Pripojenie je možné aj do zásuviek bez ochranného kontaktu, pretože ide o konštrukciu ochranej triedy II.

## ÚDRZBA

Vetracie otvory udržiavať stále v čistote.

Používať len Milwaukee príslušenstvo a Milwaukee náhradné diely. Súčiastky bez návodu na výmenu treba dať vymeniť v jednom z Milwaukee zákaznických centier (viď brožúru Záruka/Adresy zákaznických centier).

V prípade potreby si môžete v servisnom centre pre zákazníkov alebo priamo od firmy Techtronic Industries GmbH, Max-Eyth-Straße 10, 71364 Winnenden, Nemecko, vyžiadať schematický náčrt jednotlivých dielov prístroja pri uvedení typu prístroja a šesťmiestneho čísla na výkonovom štítku.

## SYMBOLY



Pred prvým použitím prístroja si pozorne prečítajte návod na obsluhu.



Pred každou prácou na stroji vyťahnúť zástrčku zo zásuvky.



Príslušenstvo - nie je súčasťou štandardnej výbavy, odporúčaná doplnenie z programu príslušenstva.



Elektrické náradie nevyhadzujte do komunálneho odpadu! Podľa európskej smernice 2002/96/EG o nakladaní s použitými elektrickými a elektronickými zariadeniami a zodpovedajúcich ustanovení právnych predpisov jednotlivých krajín sa použité elektrické náradie musí zbierať oddelene od ostatného odpadu a podrobiť ekologicky šetrnej recyklácii.



Trieda ochrany II, elektrické náradie, u ktorého ochrana proti úrazu elektrickým prúdom nezávisí len na základnej izolácii, ale aj na prijatí ďalších ochranných opatrení, ako je vyhotovenie s dvojitzou alebo zosilnenou izoláciou.

DANE TECHNICZNE	Pilarka szablasta	SSPE 1300 QX		SSPE 1300 SX	
		220-240 V	110 V	220-240 V	110 V
Numer produkcyjny.....		3935 05 01... ..00001-99999	3935 10 01... ..00001-99999	4285 21 01... ..00001-99999	4291 06 01... ..00001-99999
Znamionowa moc wyjściowa .....		1300 W	1200 W	1300 W	1200 W
Moc wyjściowa.....		600 W	600 W	600 W	600 W
Zasuw skrawania.....		0-3000 min <sup>-1</sup>	0-3000 min <sup>-1</sup>	0-3000 min <sup>-1</sup>	0-3000 min <sup>-1</sup>
Wysokość zasuwu.....		32 mm	32 mm	32 mm	32 mm
Maksymalna głębokość cięcia w:					
Drewno .....		300 mm	300 mm	300 mm	300 mm
Rury metalowe / Profile .....		250 mm	250 mm	250 mm	250 mm
Ciężar wg procedury EPTA 01/2003.....		4,2 kg	4,2 kg	3,9 kg	3,9 kg

#### Informacja dotycząca szumów/wibracji

Zmierzone wartości wyznaczono zgodnie z normą EN 60 745.

Poziom szumów urządzenia oszacowany jako A wynosi typowo:

Poziom ciśnienia akustycznego (K=3dB(A)) .....	91 dB (A)	91 dB (A)	91 dB (A)	91 dB (A)
Poziom mocy akustycznej (K=3dB(A)) .....	102 dB (A)	102 dB (A)	102 dB (A)	102 dB (A)

#### Należy używać ochroniaczy uszu!

Wartości łączne drgań (suma wektorowa trzech kierunków) wyznaczone zgodnie z normą EN 60745

Wartość emisji drgań a<sub>n</sub>

Przecinanie belek drewnianych .....	14,5 m/s <sup>2</sup>	14,5 m/s <sup>2</sup>	14,5 m/s <sup>2</sup>	14,5 m/s <sup>2</sup>
Niepewność K.....	1,5 m/s <sup>2</sup>	1,5 m/s <sup>2</sup>	1,5 m/s <sup>2</sup>	1,5 m/s <sup>2</sup>
Piłowanie płyty wiórowej .....	22,5 m/s <sup>2</sup>	22,5 m/s <sup>2</sup>	22,5 m/s <sup>2</sup>	22,5 m/s <sup>2</sup>
Niepewność K.....	1,5 m/s <sup>2</sup>	1,5 m/s <sup>2</sup>	1,5 m/s <sup>2</sup>	1,5 m/s <sup>2</sup>

DANE TECHNICZNE	Pilarka szablasta	SSPE 1300 RX		SSPE 1500 X	
		220-240 V	110 V	220-240 V	110 V
Numer produkcyjny.....		4405 91 01... ..00001-99999		4289 01 01... ..00001-99999	4291 46 01... ..00001-99999
Znamionowa moc wyjściowa .....		1300 W	1500 W	1500 W	1500 W
Moc wyjściowa.....		600 W	750 W	750 W	750 W
Zasuw skrawania.....		0-3000 min <sup>-1</sup>	0-2800 min <sup>-1</sup>	0-2800 min <sup>-1</sup>	0-2800 min <sup>-1</sup>
Wysokość zasuwu.....		32 mm	32 mm	32 mm	32 mm
Maksymalna głębokość cięcia w:					
Drewno .....		300 mm	300 mm	300 mm	300 mm
Rury metalowe / Profile .....		250 mm	250 mm	250 mm	250 mm
Ciężar wg procedury EPTA 01/2003.....		4,2 kg	4,0 kg	4,0 kg	4,0 kg

#### Informacja dotycząca szumów/wibracji

Zmierzone wartości wyznaczono zgodnie z normą EN 60 745.

Poziom szumów urządzenia oszacowany jako A wynosi typowo:

Poziom ciśnienia akustycznego (K=3dB(A)) .....	91 dB (A)	91 dB (A)	91 dB (A)	91 dB (A)
Poziom mocy akustycznej (K=3dB(A)) .....	102 dB (A)	102 dB (A)	102 dB (A)	102 dB (A)

#### Należy używać ochroniaczy uszu!

Wartości łączne drgań (suma wektorowa trzech kierunków) wyznaczone zgodnie z normą EN 60745

Wartość emisji drgań a<sub>n</sub>

Przecinanie belek drewnianych .....	14,5 m/s <sup>2</sup>	15,2 m/s <sup>2</sup>	15,2 m/s <sup>2</sup>
Niepewność K.....	1,5 m/s <sup>2</sup>	1,6 m/s <sup>2</sup>	1,6 m/s <sup>2</sup>
Piłowanie płyty wiórowej .....	22,5 m/s <sup>2</sup>	19,9 m/s <sup>2</sup>	19,9 m/s <sup>2</sup>
Niepewność K.....	1,5 m/s <sup>2</sup>	2,2 m/s <sup>2</sup>	2,2 m/s <sup>2</sup>

### OSTRZEŻENIE

Podany w niniejszych instrukcjach poziom drgań został zmierzony za pomocą metody pomiarowej zgodnej z normą EN 60745 i może być użyty do porównania ze sobą elektronarzędzi. Nadaje się on również do tymczasowej oceny obciążenia wibracyjnego.

Podany poziom drgań reprezentuje główne zastosowania elektronarzędzia. Jeśli jednakże elektronarzędzie użyte zostanie do innych celów z innym narzędziami roboczymi lub nie jest dostatecznie konserwowane, wtedy poziom drgań może wykazywać odchylenia. Może to wyraźnie zwiększyć obciążenie wibracjami przez cały okres pracy.

Dla dokładnego określenia obciążenia wibracjami należy uwzględnić również czasy, w których urządzenie jest wyłączone względnie jest włączone, lecz w rzeczywistości nie pracuje. Może to spowodować wyraźną redukcję obciążenia wibracyjnego w całym okresie pracy.

Należy wprowadzić dodatkowe środki zapobiegawcze celem ochrony obsługującego przed oddziaływaniem drgań, jak na przykład: konserwacja narzędzi roboczych i elektronarzędzi, nagrzanie rąk, organizacja przebiegu pracy.

**⚠ OSTRZEŻENIE! Należy przeczytać wszystkie wskazówki dotyczące bezpieczeństwa i instrukcje. Błędy w przestrzeganiu poniższych wskazówek mogą spowodować porażenie prądem, pożar i/lub ciężkie obrażenia ciała. Należy starannie przechowywać wszystkie przepisy i wskazówki bezpieczeństwa dla dalszego zastosowania.**



## SPECJALNE ZALECENIA DOTYCZĄCE BEZPIECZENSTWA

**Stosować środki ochrony słuchu!** Narażenie na hałas może spowodować utratę słuchu.

**Trzymaj urządzenie za izolowane powierzchnie chwytny gdy wykonujesz roboty, w trakcie których narzędzie skrawające może natrafić na ukryte przewody prądowe lub na własny kabel.** Kontakt z przewodami pod napięciem wprowadza również metalowe części urządzenia pod napięcie i prowadzi do porażenia prądem.

Gniazdka na zewnątrz muszą być wyposażone w wyłącznik ochronny różnicowy. Tęgo wymaga Przepis o Instalacji Państwa urządzenia elektrycznego. Proszę uwzględnić to przy używaniu naszego urządzenia.

Podczas pracy należy nosić okulary ochronne. Zalecane jest także noszenie rękawic, obuwia i ubrania roboczego.

Przy pracującym urządzeniu nie wolno usuwać pokruszonego materiału.

Przed przystąpieniem do jakichkolwiek prac przy narzędziu należy wyjąć wtyczkę z gniazdka.

Tylko wyłączone urządzenie można włączać do gniazdka.

Kurz powstający przy pracy z tym elektronarzędziem może być szkodliwy dla zdrowia, w związku z tym nie powinien dotrzeć do ciała. Nosić odpowiednią maskę przeciwpyłową.

Nie stosować porysowanych lub zniekształconych brzeszczotów!

Wykonywanie wcięć możliwe jest tylko w miękkim materiale. Włączyc urządzenie i oprzeć prowadnicę na obrabianym materiale. Jedną ręką należy trzymać za obudowę w jej górnej części natomiast drugą za uchwyt, pchając uchwyt do góry i zagłębiając powoli ostrze w materiał.

Podczas cięcia przewodnica zawsze musi stykać się z obrabianym materiałem.

Podczas pracy przy ścianach, sufitach i podłodze należy uważać na kable elektryczne, przewody gazowe i wodociągowe.

W szczególnie trudnych warunkach zastosowań (np. przy pracach w wilgotnym otoczeniu, cięciu rur, które mogą zawierać jeszcze ciecz) bezwzględnie konieczne jest podłączenie wyłącznika ochronnego prądu uszkodzeniowego (FI). Po zadziałaniu wyłącznika ochronnego (FI) urządzenie należy oddać do naprawy.

## UŻYTKOWANIE ZGODNE Z PRZEZNACZENIEM

Piłarka służy do cięcia drewna, plastiku i metalu. Ma możliwość cięcia po linii krzywej i obcinania równo z powierzchnią licową.

Urządzenie to można użytkować wyłącznie zgodnie z przeznaczeniem.

## ŚWIADCTWO ZGODNOŚCI CE

Oświadczamy na naszą wyłączną odpowiedzialność, że produkt opisany w punkcie "Dane techniczne" jest zgodny ze wszystkimi istotnymi przepisami Dyrektywy 2011/65/EU (RoHS), 2006/42/WE, 2004/108/WE oraz z następującymi zharmonizowanymi dokumentami normatywnymi:

EN 60745-1:2009 + A11:2010

EN 60745-2-11:2010

EN 55014-1:2006 + A1:2009 + A2:2011

EN 55014-2:1997 + A1:2001 + A2:2008

EN 61000-3-2:2006 + A1:2009 + A2:2009

EN 61000-3-3:2008

Winnenden, 2013-08-07



Alexander Krug  
Managing Director



Upelnomocniony do zestawienia danych technicznych

Teichronic Industries GmbH

Max-Eyth-Straße 10

71364 Winnenden

Germany

## PODŁĄCZENIE DO SIECI

Podłączać tylko do źródła zasilania prądem zmiennym jednofazowym i wyłączanie o napięciu podanym na tabliczce znamionowej. Możliwe jest również podłączenie do gniazdka bez uziemienia, ponieważ konstrukcja odpowiada II klasie bezpieczeństwa.

## GWARANCJA

Otwór wentylacyjny narzędzia należy zawsze utrzymywać w czystości.

Używać tylko i wyłącznie wyposażenia dodatkowego Milwaukee i części zamiennych Milwaukee. Gdyby trzeba było wymienić części, które nie zostały opisane, należy skontaktować się z przedstawicielem serwisu Milwaukee (patrz wykaz adresów punktów usługowych/gwarancyjnych).

W razie potrzeby można zamówić rysunek urządzenia w rozłożeniu na części podając typ maszyny oraz sześciorzeczony numer na tabliczce znamionowej w Punkcie Obsługi Klienta lub bezpośrednio w firmie Teichronic Industries GmbH, Max-Eyth-Straße 10, 71364 Winnenden, Germany.

## SYMBOLE



Przed uruchomieniem elektronarzędzia zapoznać się uważnie z treścią instrukcji.



Przed przystąpieniem do jakichkolwiek prac przy narzędziu należy wyjąć wtyczkę z kontaktu.



Akcesoria - nie występują w dostawie, zalecane uzupełnienie z programu akcesoriów.



Nie wyrzucaj elektronarzędzi wraz z odpadami z gospodarstwa domowego! Zgodnie z Europejską Dyrektywą 2002/96/WE w sprawie zużytego sprzętu elektrotechnicznego i elektronicznego oraz dostosowaniem jej do prawa krajowego, zużyte elektronarzędzia należy posegregować i zutylizować w sposób przyjazny dla środowiska.



Klasa ochrony II, elektronarzędzie, w którym ochrona przed porażeniem elektrycznym nie zależy tylko od izolacji podstawowej, lecz w którym zastosowane są dodatkowe środki ochrony, takie jak podwójna lub wzmocniona izolacja.

MŰSZAKI ADATOK	Szablyafűrész	SSPE 1300 QX		SSPE 1300 SX	
		220-240 V	110 V	220-240 V	110 V
Gyártási szám.....		3935 05 01... ..000001-999999	3935 10 01... ..000001-999999	4285 21 01... ..000001-999999	4291 06 01... ..000001-999999
Névleges teljesítményfelvétel .....		1300 W	1200 W	1300 W	1200 W
Leadott teljesítmény .....		600 W	600 W	600 W	600 W
Üresjáratú löketség.....		0-3000 min <sup>-1</sup>	0-3000 min <sup>-1</sup>	0-3000 min <sup>-1</sup>	0-3000 min <sup>-1</sup>
Lökethossz .....		32 mm	32 mm	32 mm	32 mm
Vágásmélység max.:					
Fa .....		300 mm	300 mm	300 mm	300 mm
Fém csövek / Idomdarabok .....		250 mm	250 mm	250 mm	250 mm
Súly a 01/2003 EPTA-eljárás szerint .....		4,2 kg	4,2 kg	3,9 kg	3,9 kg

### Zaj-/Vibráció-információ

A közölt értékek megfelelnek az EN 60 745 szabványnak.

A készülék munkahelyi zajszintje tipikusan:

Hangnyomás szint (K = 3 dB(A)).....	91 dB (A)	91 dB (A)	91 dB (A)	91 dB (A)
Hangteljesítmény szint (K = 3 dB(A)).....	102 dB (A)	102 dB (A)	102 dB (A)	102 dB (A)

### Hallásvédő eszköz használata ajánlott!

Összesített rezgésértékek (három irány vektorialis összege) az EN 60745-nek megfelelően meghatározva.

a<sub>w</sub> rezgésemisszió érték

Fagerendák fűrészelése .....	14,5 m/s <sup>2</sup>	14,5 m/s <sup>2</sup>	14,5 m/s <sup>2</sup>	14,5 m/s <sup>2</sup>
K bizonytalanság .....	1,5 m/s <sup>2</sup>	1,5 m/s <sup>2</sup>	1,5 m/s <sup>2</sup>	1,5 m/s <sup>2</sup>
Vágott forgácsolás .....	22,5 m/s <sup>2</sup>	22,5 m/s <sup>2</sup>	22,5 m/s <sup>2</sup>	22,5 m/s <sup>2</sup>
K bizonytalanság .....	1,5 m/s <sup>2</sup>	1,5 m/s <sup>2</sup>	1,5 m/s <sup>2</sup>	1,5 m/s <sup>2</sup>

MŰSZAKI ADATOK	Szablyafűrész	SSPE 1300 RX		SSPE 1500 X	
		220-240 V	110 V	220-240 V	110 V
Gyártási szám.....		4405 91 01... ..000001-999999	4289 01 01... ..000001-999999	4291 46 01... ..000001-999999	
Névleges teljesítményfelvétel .....		1300 W	1500 W	1500 W	1500 W
Leadott teljesítmény .....		600 W	750 W	750 W	750 W
Üresjáratú löketség.....		0-3000 min <sup>-1</sup>	0-2800 min <sup>-1</sup>	0-2800 min <sup>-1</sup>	0-2800 min <sup>-1</sup>
Lökethossz .....		32 mm	32 mm	32 mm	32 mm
Vágásmélység max.:					
Fa .....		300 mm	300 mm	300 mm	300 mm
Fém csövek / Idomdarabok .....		250 mm	250 mm	250 mm	250 mm
Súly a 01/2003 EPTA-eljárás szerint .....		4,2 kg	4,0 kg	4,0 kg	4,0 kg

### Zaj-/Vibráció-információ

A közölt értékek megfelelnek az EN 60 745 szabványnak.

A készülék munkahelyi zajszintje tipikusan:

Hangnyomás szint (K = 3 dB(A)).....	91 dB (A)	91 dB (A)	91 dB (A)	91 dB (A)
Hangteljesítmény szint (K = 3 dB(A)).....	102 dB (A)	102 dB (A)	102 dB (A)	102 dB (A)

### Hallásvédő eszköz használata ajánlott!

Összesített rezgésértékek (három irány vektorialis összege) az EN 60745-nek megfelelően meghatározva.

a<sub>w</sub> rezgésemisszió érték

Fagerendák fűrészelése .....	14,5 m/s <sup>2</sup>	15,2 m/s <sup>2</sup>	15,2 m/s <sup>2</sup>
K bizonytalanság .....	1,5 m/s <sup>2</sup>	1,6 m/s <sup>2</sup>	1,6 m/s <sup>2</sup>
Vágott forgácsolás .....	22,5 m/s <sup>2</sup>	19,9 m/s <sup>2</sup>	19,9 m/s <sup>2</sup>
K bizonytalanság .....	1,5 m/s <sup>2</sup>	2,2 m/s <sup>2</sup>	2,2 m/s <sup>2</sup>

### FIGYELMEZTETÉS

A jelen utasításokban megadott rezgésszint értéke az EN 60745-ben szabályozott mérési eljárásnak megfelelően került le mérésre, és használható elektromos szerszámokkal történő összehasonlításhoz. Az érték alkalmas a rezgésterhelés előzetes megbecslésére is.

A megadott rezgésszint-érték az elektromos szerszám legfőbb alkalmazásait reprezentálja. Ha az elektromos szerszámot azonban más alkalmazásokhoz, eltérő használt szerszámokkal vagy nem elegendő karbantartással használják, a rezgésszint értéke eltérő lehet. Ez jelentősen megnövelheti a rezgésterhelést a munkavégzés teljes időtartama alatt.

A rezgésterhelés pontos megbecsléséhez azokat az időket is figyelembe kell venni, melyekben a készülék lekapcsolódik, vagy ugyan működik, azonban ténylegesen nincs használatban. Ez jelentősen csökkentheti a rezgésterhelést a munkavégzés teljes időtartama alatt.

Határozzon meg további biztonsági intézkedéseket a kezelő védelmére a rezgések hatása ellen, például: az elektromos és a használt szerszámok karbantartásával, a kezek melegen tartásával, a munkafolyamatok megszervezésével.

**▲ FIGYELMEZTETÉS! Olvasson el minden biztonsági útmutatót és utasítást.** A következőkben leírt előírások betartásának elmulasztása áramütésekhez, tűzhoz és/vagy súlyos testi sérülésekhez vezethet.  
**Kérjük a későbbi használatra gondosan őrizze meg ezeket az előírásokat.**

## KÜLÖNLEGES BIZTONSÁGI TUDNIVALÓK

**Viseljen hallásvédőt.** A zajhatás a hallás elvesztését eredményezheti.

**A készüléket a szigetelt markolatfelületeket fogva tartsa, ha olyan munkálatokat végez, melyeknél a vágószerszám rejtett elektromos vezetékbe vagy saját vezetékébe ütközhet.** Ha a berendezés egy feszültség alatt álló vezetékhez ér, a berendezés fémrészei szintén feszültség alá kerülhetnek és áramütéshez vezethetnek.

Szabadban a dugaljat hibaáram-védőkapcsolóval kell ellátni. Az elektromos készülékek üzembehelyezési útmutatása ezt kötelezően előírja. Ügyeljen erre az elektromos kéziszerszámok használatakor is.

Munkavégzés közben ajánlatos védőszemüveget viselni. Védőkesztyű, zárt és csúszámentes cipő, valamint védőkötény használata szintén javasolt.

A munka közben keletkezett forgácsokat, szilánkokat, törmelékét, stb. csak a készülék teljes leállása után szabad a munkaterületről eltávolítani.

Bármilyen jellegű karbantartás vagy javítás előtt a készüléket áramtalanítani kell.

A készüléket csak kikapcsolt állapotban szabad ismét áram alá helyezni.

A munka során keletkező por gyakran egészségre káros, ezért ne kerüljön a szervezetbe. Hordjon e célra alkalmas porvédőmaszkot.

Tilos repedt vagy deformált fűrészlapot használni!

Ún. sülyesztő vágás készítése csak puha anyagba lehetséges. Kapcsolja be a készüléket, támassza meg a vezetőkegelyen, egyik kezével tartsa meg a készüléket elől a háznál, a másik kezével a fogantyúnál fogva emelje meg és sülyessze az anyagba a fűrészlapot.

Fűrészeléskor a vezetőkegelyt mindig a munkadarabra kell helyezni.

Falban, földben, aljzatban történő fúrásnál ügyelni kell az elektromos-, víz- és gázvezetésekre.

Szükséges alkalmazási feltételek mellett (pl. munkavégzés nedves környezetben, olyan csövek vágása, amelyekben még folyadék lehet) feltétlenül szükséges egy hibaáram (FI) védőkapcsoló soros beiktatása. Ha az FI-védőkapcsoló működésbe lépett, a gépet be kell küldeni javításra.

## RENDELTETÉSSZERŰ HASZNÁLAT

Az orrfűrész fa, műanyag és fém fűrészeléséhez használható. Egyenes, kanyar és belső kivágások készítésére alkalmas. A fűrészelt csöveket lehet elvágni, illetve a felület síkjában levágni.

A készüléket kizárólag az alábbiakban leírtaknak megfelelően szabad használni.

## CE-AZONOSSÁGI NYILATKOZAT

Egyedüli felelősséggel kijelentjük, hogy a „Műszaki Adatok” alatt leírt termék a 2011/65/EU (RoHS), 2006/42/EK, 2004/108/EK irányelvek minden releváns előírásának, ill. az alábbi harmonizált normatív dokumentumoknak megfelel:

EN 60745-1:2009 + A11:2010

EN 60745-2-11:2010

EN 55014-1:2006 + A1:2009 + A2:2011

EN 55014-2:1997 + A1:2001 + A2:2008

EN 61000-3-2:2006 + A1:2009 + A2:2009

EN 61000-3-3:2008

Winnenden, 2013-08-07

Alexander Krug  
Managing Director



Műszaki dokumentáció összeállításra felhatalmazva

Techtronic Industries GmbH  
Max-Eyth-Straße 10  
71364 Winnenden  
Germany

## HÁLÓZATI CSATLAKOZTATÁS

A készüléket csak egyfázisú váltóáramra és a teljesítménytáblán megadott hálózati feszültségre csatlakoztatás. A csatlakoztatás védőérintkező nélküli dugaszolóaljzatokra is lehetséges, mivel a készülék felépítése II védettségi osztályú.

## KARBANTARTÁS

A készülék szellőzőnyílásait mindig tisztán kell tartani.

Csak Milwaukee tartozékokat és Milwaukee pótalkatrészeket szabad használni. Az olyan elemeket, melyek cseréje nincs ismertve, cseréltesse ki Milwaukee szervizzel (lásd Garancia/Ügyfélszolgálat címei kiadványt).

Igény esetén a készülékről robbantott rajz kérhető a géptípus és a teljesítménycímeként található hatjegyű szám megadásával az Ön nevő szolgálatánál, vagy közvetlenül a Techtronic Industries GmbH-től a Max-Eyth-Straße 10, 71364 Winnenden, Németország címen.

## SZIMBÓLUMOK



Kérjük alaposan olvassa el a tájékoztatót mielőtt a gépet használja.



Bármilyen jellegű karbantartás vagy javítás előtt a készüléket áramtalanítani kell.



Azokat a tartozékokat, amelyek gyárilag nincsenek a készülékhez mellékelve, külön lehet megrendelni.



Az elektromos kéziszerszámokat ne dobja a háztartási szemétkébe! A használt villamos és elektronikai készülékekről szóló 2002/96/EK irányelv és annak a nemzeti jogba való átültetése szerint az elhasznált elektromos kéziszerszámokat külön kell gyűjteni, és környezetbarát módon újra kell hasznosítani.



II-es védelmi osztály, olyan elektromos szerszám, amelynél az elektromos áramütés elleni védelem nem csak az alapszigeteléstől függ, hanem amelyben kiegészítő védőintézkedéseket, mint pl. kettős szigetelés vagy megerősített szigetelés, alkalmaznak.

**TEHNIČNI PODATKI****Žage lisičji rep****SSPE 1300 QX**  
220-240 V 110 V**SSPE 1300 SX**  
220-240 V 110 V

Proizvodna številka.....	3935 05 01.....	3935 10 01.....	4285 21 01.....	4291 06 01.....
	..000001-999999	..000001-999999	..000001-999999	..000001-999999
Nazivni sprejem.....	1300 W.....	1200 W.....	1300 W.....	1200 W.....
Oddajna zmogljivost.....	600 W.....	600 W.....	600 W.....	600 W.....
Število dvigov v prostem teku.....	0-3000 min <sup>-1</sup> .....	0-3000 min <sup>-1</sup> .....	0-3000 min <sup>-1</sup> .....	0-3000 min <sup>-1</sup> .....
Višina dviga.....	32 mm.....	32 mm.....	32 mm.....	32 mm.....
Globina reza maks. v:				
Les.....	300 mm.....	300 mm.....	300 mm.....	300 mm.....
Kovinska cev / profili.....	250 mm.....	250 mm.....	250 mm.....	250 mm.....
Teža po EPTA-proceduri 01/2003.....	4,2 kg.....	4,2 kg.....	3,9 kg.....	3,9 kg.....

**Informacije o hrupnosti/vibracijah**

Vrednosti merjenja ugotovljene ustrezno z EN 60 745.

Raven hrupnosti naprave ovrednotena z A, znaša tipično:

Nivo zvočnega tlaka (K=3dB(A)).....	91 dB (A).....	91 dB (A).....	91 dB (A).....	91 dB (A).....
Nivo zvočnega tlaka (K=3dB(A)).....	102 dB (A).....	102 dB (A).....	102 dB (A).....	102 dB (A).....

**Nosite zaščito za sluh!**

Skupna vibracijska vrednost (Vektorska vsota treh smeri)

določena ustrezno EN 60745.

Vibracijska vrednost emisij a<sub>h</sub>

Žaganje lesenih tramov.....	14,5 m/s <sup>2</sup> .....	14,5 m/s <sup>2</sup> .....	14,5 m/s <sup>2</sup> .....	14,5 m/s <sup>2</sup> .....
Nevarnost K.....	1,5 m/s <sup>2</sup> .....	1,5 m/s <sup>2</sup> .....	1,5 m/s <sup>2</sup> .....	1,5 m/s <sup>2</sup> .....
Žaganje iverne plošče.....	22,5 m/s <sup>2</sup> .....	22,5 m/s <sup>2</sup> .....	22,5 m/s <sup>2</sup> .....	22,5 m/s <sup>2</sup> .....
Nevarnost K.....	1,5 m/s <sup>2</sup> .....	1,5 m/s <sup>2</sup> .....	1,5 m/s <sup>2</sup> .....	1,5 m/s <sup>2</sup> .....

**TEHNIČNI PODATKI****Žage lisičji rep****SSPE 1300 RX**  
220-240 V**SSPE 1500 X**  
220-240 V 110 V

Proizvodna številka.....	4405 91 01.....	4289 01 01.....	4291 46 01.....
	..000001-999999	..000001-999999	..000001-999999
Nazivni sprejem.....	1300 W.....	1500 W.....	1500 W.....
Oddajna zmogljivost.....	600 W.....	750 W.....	750 W.....
Število dvigov v prostem teku.....	0-3000 min <sup>-1</sup> .....	0-2800 min <sup>-1</sup> .....	0-2800 min <sup>-1</sup> .....
Višina dviga.....	32 mm.....	32 mm.....	32 mm.....
Globina reza maks. v:			
Les.....	300 mm.....	300 mm.....	300 mm.....
Kovinska cev / profili.....	250 mm.....	250 mm.....	250 mm.....
Teža po EPTA-proceduri 01/2003.....	4,2 kg.....	4,0 kg.....	4,0 kg.....

**Informacije o hrupnosti/vibracijah**

Vrednosti merjenja ugotovljene ustrezno z EN 60 745.

Raven hrupnosti naprave ovrednotena z A, znaša tipično:

Nivo zvočnega tlaka (K=3dB(A)).....	91 dB (A).....	91 dB (A).....	91 dB (A).....
Nivo zvočnega tlaka (K=3dB(A)).....	102 dB (A).....	102 dB (A).....	102 dB (A).....

**Nosite zaščito za sluh!**

Skupna vibracijska vrednost (Vektorska vsota treh smeri)

določena ustrezno EN 60745.

Vibracijska vrednost emisij a<sub>h</sub>

Žaganje lesenih tramov.....	14,5 m/s <sup>2</sup> .....	15,2 m/s <sup>2</sup> .....	15,2 m/s <sup>2</sup> .....
Nevarnost K.....	1,5 m/s <sup>2</sup> .....	1,6 m/s <sup>2</sup> .....	1,6 m/s <sup>2</sup> .....
Žaganje iverne plošče.....	22,5 m/s <sup>2</sup> .....	19,9 m/s <sup>2</sup> .....	19,9 m/s <sup>2</sup> .....
Nevarnost K.....	1,5 m/s <sup>2</sup> .....	2,2 m/s <sup>2</sup> .....	2,2 m/s <sup>2</sup> .....

**OPOZORILO**

V teh navodilih navedena raven tresljev je bila izmerjena po EN60745 normiranem merilnem postopku in lahko služi medsebojni primerjavi električnih orodij. Prav tako je primeren za predhodno oceno obremenitve s treslji.

Navedena raven tresljev navaja najpomembnejše vrste rabe električnega orodja. Kadar se električno orodje uporablja za drugačne namene, z odstopajočimi orodji ali pa z nezadostnim vzdrževanjem, lahko raven tresljev tudi odstopa. Le to lahko čez celoten delovni čas znatno zviša obremenitev s tresenjem.

Za natančno oceno obremenitve s treslji naj bi se upošteval tudi čas v katerem je naprava izklopljena ali sicer teče, vendar dejansko ni v rabi. Le to lahko obremenitev s treslji čez celoten delovni čas znatno zmanjša.

Za zaščito upravljalca pred učinkom tresljev uvedite dodatne zaščitne ukrepe npr.: Vzdrževanje električnega orodja in orodja, delo s toplimi rokami, organizacija delovnih potekov.

**⚠ OPOZORILO! Preberite vsa varnostna opozorila in navodila.** Napake zaradi neupoštevanja spodaj navedenih opozoril in napotil lahko povzročijo električni udar, požar in/ali težke telesne poškodbe.  
**Vsa opozorila in napotila shranite, ker jih boste v prihodnje še potrebovali.**

## SPECIALNI VARNOSTNI NAPOTKI

**Nosite zaščito za sluh.** Razvijanje hrupa lahko povzroči izgubo sluha.

**Kadar izvajate dela pri katerih lahko orodje zadane prikrto električno napeljavno ali lasten vodnik, je napravo potrebno držati za izolirane prijemalne površine.** Stik z električnim vodnikom, ki je pod napetostjo, povzroči napetost tudi v kovinskih delih naprave, kar ima za posledico električni udar.

Vtičnice v zunanem področju morajo biti opremljene z zaščitnimi stikali za okvarni tok. To zahteva instalacijski predpis za vašo električno napravo. Prosimo, da to pri uporabi naše naprave upoštevate.

Pri delu s strojem vedno nosite zaščitna očala. Priporočamo zaščitne rokavice, trdno obuvalo, varno protišršenj ter predpasnik.

Trske ali iveri se pri teko em stroju ne smejo odstranjevati.

Pred vsemi deli na stroju izvlcite vtičač iz vtičnice.

Stroj priklonite na vtičnico samo v izklopljenem stanju.

Vedno pazite, da se priključni kabel ne približa področju delovanja stroja. Kabel vedno vodite za strojem.

Prah, ki nastaja pri delu, je pogosto zdravju škodljiv in naj ne zaide v telo. Nosite ustrezno masko proti prahu.

Napokani listi žage in taki, ki so spremenili svojo obliko, se ne smejo uporabljati!

Potopno žaganje je mogoče pri mehkih materialih (les, lahki gradbeni material za stene), pri trših materialih (kovine) se mora pripraviti vrtna, ki odgovarja listu žage.

Vodilni locen naj se pri žaganju vedno prilega k obdelovalnemu kosu.

Pri delih na steni, stropu ali v tleh pazite na električne kable, plinske in vodne napeljave.

V primeru ekstremnih pogojev uporabe (npr. pri delu v vlažnem okolju, razrezu cevi, ki še vsebujejo tekočine) je brezpogojno potreben predklop zaščitnega stikala (FI) za okvarni tok. V primeru vklopa FI zaščitnega stikala je potrebno stroj poslati v popravilo.

## UPORABA V SKLADU Z NAMEMBNOSTJO

Sabljava žaga žaga les, umetno maso in kovino. Reže naravnost, zajere in notranje izreze. Žaga cevi in ločuje s ploskim robom.

Ta naprava se sme uporabiti samo v skladu z namembnostjo uporabi samo za navede namene.

## CE-IZJAVA O KONFORMNOSTI

V lastni odgovornosti izjavljamo, da se pod "Tehnični podatki" opisan proizvod ujema z vsemi relevantnimi predpisi smernice 2011/65/EU (RoHS), 2006/42/ES, 2004/108/ES in s sledečimi harmoniziranimi normativnimi dokumenti:

EN 60745-1:2009 + A11:2010

EN 60745-2-11:2010

EN 55014-1:2006 + A1:2009 + A2:2011

EN 55014-2:1997 + A1:2001 + A2:2008

EN 61000-3-2:2006 + A1:2009 + A2:2009

EN 61000-3-3:2008

Winnenden, 2013-08-07



Alexander Krug  
Managing Director



Pooblaščen za izdelavo spisov tehnične dokumentacije.

Techtronic Industries GmbH  
Max-Eyth-Straße 10  
71364 Winnenden  
Germany

## OMREŽNI PRIKLJUČEK

Priključite samo na enofazni izmenični tok in samo na omrežno napetost, ki je označena na tipski ploščici. Priključitev je možna tudi na vtičnice brez zaščitnega kontakta, ker obstaja nadgradnja zaščitnega razreda.

## VZDRŽEVANJE

Pazite na to, da so prezračevalne reže stroja vedno čiste.

Uporabljajte samo Milwaukee pribor in Milwaukee nadomestne dele. Poskrbite, da sestavne dele, katerih zamenjava ni opisana, zamenjajo v Milwaukee servisni službi (upoštevajte brošuro Garancija/Naslovi servisnih služb).

Po potrebi je mogoče pri vašem servisnem mestu ali neposredno pri Techtronic Industries GmbH, Max-Eyth-Straße 10, 71364 Winnenden, Germany, naročiti eksplozijsko risbo naprave ob navedbi tipa stroja in na tablici navedene šestmestne številke.

## SIMBOLI



Prosimo, da pred uporabo pozorno preberete to navodilo za uporabo.



Pred vsemi deli na stroju izvlcite vtičač iz vtičnice.



Oprema - ni vsebovana v obsegu dobave, priporočeno dopolnilo iz programa opreme.



Elektricnega orodja ne odstranjujte s hišnimi odpadki! V skladu z Evropsko direktivo 2002/96/EG o odpadni elektrici in elektronski opremi in z njenim izvajanjem v nacionalni zakonodaji je treba električna orodja ob koncu njihove življenjske dobe loceno zbirati in jih predati v postopek okolju prijaznega recikliranja.



Zaščitni razred II: električno orodje, pri katerem zaščita proti električnemu udarcu ni odvisna le od osnovne izolacije, temveč z uporabo dodatnih zaščitnih ukrepov, kot je dvojna ali ojačana izolacija.

TEHNIČKI PODACI	Sabljasta pila	SSPE 1300 QX		SSPE 1300 SX	
		220-240 V	110 V	220-240 V	110 V
Broj proizvodnje.....		3935 05 01... ..000001-999999	3935 10 01... ..000001-999999	4285 21 01... ..000001-999999	4291 06 01... ..000001-999999
Nominalni prijem.....		1300 W	1200 W	1300 W	1200 W
Predajni učinak.....		600 W	600 W	600 W	600 W
Broj hodova praznog hoda.....		0-3000 min <sup>-1</sup>	0-3000 min <sup>-1</sup>	0-3000 min <sup>-1</sup>	0-3000 min <sup>-1</sup>
Visina hoda.....		32 mm	32 mm	32 mm	32 mm
Dubina rezanja max. u:					
Drvo.....		300 mm	300 mm	300 mm	300 mm
Metalne cijevi / Profili.....		250 mm	250 mm	250 mm	250 mm
Težina po EPTA-proceduri 01/2003.....		4,2 kg	4,2 kg	3,9 kg	3,9 kg

### Informacije o buci/vibracijama

Mjerne vrijednosti utvrđene odgovarajuće EN 60 745.

A-ocijenjeni nivo buke aparata iznosi tipično:

nivo pritiska zvuka (K = 3 dB(A)).....	91 dB (A)	91 dB (A)	91 dB (A)	91 dB (A)
nivo učinka zvuka (K = 3 dB(A)).....	102 dB (A)	102 dB (A)	102 dB (A)	102 dB (A)

### Nositi zaštitu sluha!

Ukupne vrijednosti vibracije (Vektor suma tri smjera) su

odmjerene odgovarajuće EN 60745

Vrijednost emisije vibracije a<sub>h</sub>

Piljenje drvenih balvana.....	14,5 m/s <sup>2</sup>	14,5 m/s <sup>2</sup>	14,5 m/s <sup>2</sup>	14,5 m/s <sup>2</sup>
Nesigurnost K.....	1,5 m/s <sup>2</sup>	1,5 m/s <sup>2</sup>	1,5 m/s <sup>2</sup>	1,5 m/s <sup>2</sup>
Rezanje drva iverice.....	22,5 m/s <sup>2</sup>	22,5 m/s <sup>2</sup>	22,5 m/s <sup>2</sup>	22,5 m/s <sup>2</sup>
Nesigurnost K.....	1,5 m/s <sup>2</sup>	1,5 m/s <sup>2</sup>	1,5 m/s <sup>2</sup>	1,5 m/s <sup>2</sup>

TEHNIČKI PODACI	Sabljasta pila	SSPE 1300 RX		SSPE 1500 X	
		220-240 V	110 V	220-240 V	110 V
Broj proizvodnje.....		4405 91 01... ..000001-999999		4289 01 01... ..000001-999999	4291 46 01... ..000001-999999
Nominalni prijem.....		1300 W		1500 W	1500 W
Predajni učinak.....		600 W		750 W	750 W
Broj hodova praznog hoda.....		0-3000 min <sup>-1</sup>		0-2800 min <sup>-1</sup>	0-2800 min <sup>-1</sup>
Visina hoda.....		32 mm		32 mm	32 mm
Dubina rezanja max. u:					
Drvo.....		300 mm		300 mm	300 mm
Metalne cijevi / Profili.....		250 mm		250 mm	250 mm
Težina po EPTA-proceduri 01/2003.....		4,2 kg		4,0 kg	4,0 kg

### Informacije o buci/vibracijama

Mjerne vrijednosti utvrđene odgovarajuće EN 60 745.

A-ocijenjeni nivo buke aparata iznosi tipično:

nivo pritiska zvuka (K = 3 dB(A)).....	91 dB (A)	91 dB (A)	91 dB (A)
nivo učinka zvuka (K = 3 dB(A)).....	102 dB (A)	102 dB (A)	102 dB (A)

### Nositi zaštitu sluha!

Ukupne vrijednosti vibracije (Vektor suma tri smjera) su

odmjerene odgovarajuće EN 60745

Vrijednost emisije vibracije a<sub>h</sub>

Piljenje drvenih balvana.....	14,5 m/s <sup>2</sup>	15,2 m/s <sup>2</sup>	15,2 m/s <sup>2</sup>
Nesigurnost K.....	1,5 m/s <sup>2</sup>	1,6 m/s <sup>2</sup>	1,6 m/s <sup>2</sup>
Rezanje drva iverice.....	22,5 m/s <sup>2</sup>	19,9 m/s <sup>2</sup>	19,9 m/s <sup>2</sup>
Nesigurnost K.....	1,5 m/s <sup>2</sup>	2,2 m/s <sup>2</sup>	2,2 m/s <sup>2</sup>

### OPOZORILO

V teh navodilih navedena raven tresljajev je bila izmjerena po EN60745 normiranem merilnem postopku in lahko služi medsebojni primerjavi električnih orodij. Prav tako je primeren za predhodno oceno obremenitve s tresljaji.

Navedena raven tresljajev navaja najpomembnejše vrste rabe električnega orodja. Kadar se električno orodje uporablja za drugačne namene, z odstopajočimi orodji ali pa z nezadostnim vzdrževanjem, lahko raven tresljajev tudi odstopa. Le to lahko čez celoten delovni čas znatno zviša obremenitev s tresenjem.

Za natančno oceno obremenitve s tresljaji naj bi se upošteval tudi čas v katerem je naprava izklopljena ali sicer teče, vendar dejansko ni v rabi. Le to lahko obremenitev s tresljaji čez celoten delovni čas znatno zmanjša.

Za zaščito upravljalca pred učinkom tresljajev uvedite dodatne zaščitne ukrepe npr.: Vzdrževanje električnega orodja in orodja, delo s toplimi rokami, organizacija delovnih potekov.

**⚠ UPOZORENJE! Pročitajte molimo sve sigurnosna upozorenja i upute.** Ako se ne bi poštivale napomene o sigurnosti i upute to bi moglo uzrokovati strujni udar, požar i/ili teške ozljede.  
**Sačuvajte sve napomene o sigurnosti i upute za budući primjenu.**

## SPECIJALNE SIGURNOSNE UPUTE

**Nosite zaštitu za sluh.** Djelovanje buke može dovesti do gubitka sluha.

**Držite spravu na izoliranim držačkim površinama kada izvodite radove kod kojih rezački alat može pogoditi skrivenne vodove struje ili osobni kabeL.** Kontaktom s vodovima pod naponom, pod napon će se staviti i metalni dijelovi uređaja, što može dovesti do električnog udara.

Utičnice na vanjskom području moraju biti opremljene zaštitnim prekidačima za pogrešnu struju. To zahtjeva instalacijski propis za električne uređaje. Molimo da ovo poštujuete prilikom upotrebe našeg aparata.

Kod radova sa strojem uvijek nositi zaštitne naočale. Zaštitne rukavice, čvrste i protiv klizanja sigurne cipele kao i pregača se preporučuju.

Piljevina ili iverje se za vrijeme rada stroja ne smiju odstranjivati.

Prije radova na stroju izvući utikač iz utičnice.

Samo isključeni stroj priključiti na utičnicu.

Priključni kabeL uvijek držati udaljenim sa područja djelovanja. KabeL uvijek voditi od stroja prema nazad.

Prašina koja nastaje prilikom rada je često nezdrava i ne bi smijela dospjeti u tijelo. Nositi prikladnu zaštitnu masku protiv prašine.

Listovi pile sa pukotinama, koji su promijenili oblik, se ne smiju upotrebljavati!

Piljenje uronjavanjem je moguće samo kod mekših materijala (drvo, lagani građevni materijal za zidove), kod tvrdih materijala (metali) se mora nadodati za list pile odgovarajuće veliko bušenje.

Vodeći luk kod piljenja uvijek postaviti na radni predmet.

Kod radova na zidu, stropu ili podu paziti na električne kablove kao i vodove plina i vode.

Kod ekstremnih radnih uvjeta (npr. radova u vlažnoj sredini, odvajanja cijevi koje još mogu sadržavati tekućinu) je bezuvjetno potrebno preduključivanje zaštitnog prekidača struje kvara (FI). Poslije reagiranja FI-zaštitnog prekidača se stroj mora poslati na popravak.

## PROPISNA UPOTREBA

Sabljava pila pili drvo, plastiku i metal. Ona reže ravnine, krivine i unutrašnje isječke. Ona reže cijevi i odvaja površinski zbijeno.

Ovaj aparat se smije upotrijebiti samo u određene svrhe kao što je navedeno.

## CE-IZJAVA KONFORMNOSTI

Izjavljujemo na osobnu odgovornost, da je proizvod opisan po "Tehnički podaci", sukladan sa svim relevantnim propisima smjernice 2011/65/EU (RoHS), 2006/42/EC, 2004/108/EC i sa slijedećim harmoniziranim normativnim dokumentima:

EN 60745-1:2009 + A11:2010  
EN 60745-2-11:2010  
EN 55014-1:2006 + A1:2009 + A2:2011  
EN 55014-2:1997 + A1:2001 + A2:2008  
EN 61000-3-2:2006 + A1:2009 + A2:2009  
EN 61000-3-3:2008

Winnenden, 2013-08-07



Alexander Krug  
Managing Director



Ovlašten za formiranje tehničke dokumentacije.

Techronic Industries GmbH  
Max-Eyth-Straße 10  
71364 Winnenden  
Germany

## PRIKLJUČAK NA MREŽU

Priključiti samo na jednofaznu naizmjeničnu struju i samo na napon struje, naveden na pločici snage. Priključak je moguć i na utičnice bez zaštitnog kontakta, jer postoji dogradnja zaštitne klase II.

## ODRŽAVANJE

Proreze za prozračivanje stroja uvijek držati čistima.

Primijeniti samo Milwaukee premu i Milwaukee rezervne dijelove. Sastavne dijelove, čija zamjena nije opisana, dati zamijeniti kod jedne od Milwaukee servisnih službi (poštivati brošuru Garancija/Adrese servisa).

Po potrebi se crtež pojedinih dijelova aparata uz navođenje podatka o tipu stroja i šestznamenkastog broja na pločici snage može zatražiti kod vašeg servisa ili direktno kod Techronic Industries GmbH, Max-Eyth-Straße 10, 71364 Winnenden, Njemačka.

## SIMBOLI



Molimo da pažljivo pročitate uputu o upotrebi prije puštanja u rad.



Prije svih radova na stroju utikač izvući iz utičnice.



Oprema - u opsegu isporuke nije sadržana, preporučena dopuna iz programa opreme.



Električne alate ne odlažite u kućne otpatke! Prema Europskoj direktivi 2002/96/EG o starim električnim i elektroničkim strojevima i preuzimanju u nacionalno pravo moraju se istrošeni električni alati sakupljati odvojeno i odvesti u pogon za reciklažu.



Zaštitna klasa II, električni alat, kod koga zaštita protiv električnog udara ne zasvsi samo o osnovnoj izolaciji, već se kod njega primjenjuju dodatne zaštitne mjere, kao dvostruka izolacija ili pojačana izolacija.

## TEHNISKIE DATI

## Virzuļzāģis

SSPE 1300 QX  
220-240 V 110 VSSPE 1300 SX  
220-240 V 110 V

Izlaides numurs	3935 05 01...	3935 10 01...	4285 21 01...	4291 06 01...
	...000001-999999	...000001-999999	...000001-999999	...000001-999999
Nominālā jauda	1300 W	1200 W	1300 W	1200 W
Cietkoks	600 W	600 W	600 W	600 W
Tukšgaitas gājienu skaits	0-3000 min <sup>-1</sup>	0-3000 min <sup>-1</sup>	0-3000 min <sup>-1</sup>	0-3000 min <sup>-1</sup>
Gājienu augstums	32 mm	32 mm	32 mm	32 mm
maks. griezuma dziļums (mērv.):				
Koks	300 mm	300 mm	300 mm	300 mm
Metāla caurule / Profili	250 mm	250 mm	250 mm	250 mm
Svars atbilstoši EPTA -Procedure 01/2003	4,2 kg	4,2 kg	3,9 kg	3,9 kg

## Trokšņu un vibrāciju informācija

Vērtības, kas noteiktas saskaņā ar EN 60 745.

A novērtētās aparatūras skaņas līmenis ir:

trokšņa spiediena līmenis (K = 3 dB(A))	91 dB (A)	91 dB (A)	91 dB (A)	91 dB (A)
trokšņa jaudas līmenis (K = 3 dB(A))	102 dB (A)	102 dB (A)	102 dB (A)	102 dB (A)

## Nēsāt trokšņa slāpētāju!

Svārstību kopējā vērtība (Trīs virzienu vektoru summa)

tiek noteikta atbilstoši EN 60745.

Svārstību emisijas vērtība a<sub>n</sub>

Baļķu/siju zāģi	14,5 m/s <sup>2</sup>	14,5 m/s <sup>2</sup>	14,5 m/s <sup>2</sup>	14,5 m/s <sup>2</sup>
Nedrošība K	1,5 m/s <sup>2</sup>	1,5 m/s <sup>2</sup>	1,5 m/s <sup>2</sup>	1,5 m/s <sup>2</sup>
Griezti no skaidu	22,5 m/s <sup>2</sup>	22,5 m/s <sup>2</sup>	22,5 m/s <sup>2</sup>	22,5 m/s <sup>2</sup>
Nedrošība K	1,5 m/s <sup>2</sup>	1,5 m/s <sup>2</sup>	1,5 m/s <sup>2</sup>	1,5 m/s <sup>2</sup>

## TEHNISKIE DATI

## Virzuļzāģis

SSPE 1300 RX  
220-240 VSSPE 1500 X  
220-240 V 110 V

Izlaides numurs	4405 91 01...	4289 01 01...	4291 46 01...
	...000001-999999	...000001-999999	...000001-999999
Nominālā jauda	1300 W	1500 W	1500 W
Cietkoks	600 W	750 W	750 W
Tukšgaitas gājienu skaits	0-3000 min <sup>-1</sup>	0-2800 min <sup>-1</sup>	0-2800 min <sup>-1</sup>
Gājienu augstums	32 mm	32 mm	32 mm
maks. griezuma dziļums (mērv.):			
Koks	300 mm	300 mm	300 mm
Metāla caurule / Profili	250 mm	250 mm	250 mm
Svars atbilstoši EPTA -Procedure 01/2003	4,2 kg	4,0 kg	4,0 kg

## Trokšņu un vibrāciju informācija

Vērtības, kas noteiktas saskaņā ar EN 60 745.

A novērtētās aparatūras skaņas līmenis ir:

trokšņa spiediena līmenis (K = 3 dB(A))	91 dB (A)	91 dB (A)	91 dB (A)
trokšņa jaudas līmenis (K = 3 dB(A))	102 dB (A)	102 dB (A)	102 dB (A)

## Nēsāt trokšņa slāpētāju!

Svārstību kopējā vērtība (Trīs virzienu vektoru summa)

tiek noteikta atbilstoši EN 60745.

Svārstību emisijas vērtība a<sub>n</sub>

Baļķu/siju zāģi	14,5 m/s <sup>2</sup>	15,2 m/s <sup>2</sup>	15,2 m/s <sup>2</sup>
Nedrošība K	1,5 m/s <sup>2</sup>	1,6 m/s <sup>2</sup>	1,6 m/s <sup>2</sup>
Griezti no skaidu	22,5 m/s <sup>2</sup>	19,9 m/s <sup>2</sup>	19,9 m/s <sup>2</sup>
Nedrošība K	1,5 m/s <sup>2</sup>	2,2 m/s <sup>2</sup>	2,2 m/s <sup>2</sup>

## UZMANĪBU

Instrukcijā norādītā svārstību robežvērtība ir izmērīta mērījumu procesā, kas veikts atbilstoši standartam EN 60745, un to var izmantot elektroinstrumentu savstarpējai salīdzināšanai. Tā ir piemērota arī svārstību noslogojuma pagaidu izvērtēšanai.

Norādītā svārstību robežvērtība ir reprezentatīva elektroinstrumenta pamata pielietojuma jomām. Tomēr, ja elektroinstrumenti tiek pielietoti citās jomās, papildus izmantojot neatbilstošus elektroinstrumentus vai pēc nepietiekamas tehniskās apkopes, tad svārstību robežvērtība var atšķirties. Tas var ievērojami palielināt svārstību noslogojumu visa darba laikā.

Precīzai svārstību noslogojuma noteikšanai, ir jāņem vērā arī laiks, kad ierīces ir izslēgta vai arī ir ieslēgta, tomēr faktiski netiek lietota. Tas var ievērojami samazināt svārstību noslogojumu visa darba laikā.

Integrējiet papildus drošības pasākumus pret svārstību ietekmi lietotājam, piemēram: elektroinstrumentu un darba instrumentu tehniskā apkope, roku siltuma uzturēšana, darba procesu organizācija.



**⚠ BRĪDINĀJUMS!** Izlasiet visus drošības brīdinājumus un instrukcijas. Šeit sniegto drošības noteikumu un norādījumu neievērošana var izraisīt aizdegšanos un būt par cēloni elektriskajam triecienam vai nopietnam savainojumam. **Pēc izlasīšanas uzglabāiet šos noteikumus turpmākai izmantošanai.**

## SPECĪĻIE DROŠĪBAS NOTEIKUMI

**Nēsājiet ausu aizsargus.** Trokšņa iedarbības rezultātā var rasties dzirdes traucējumi.

**Leļi turiet aiz izolētiem rokturiem, ja veicat darbus, kuros griešanas darbiem izmantojamais instruments var skart paslēptus elektrovadus vai pats savu kabeli.** Asmenim saskaroties ar vadiem, kuriem tiek pievadīts fāzes spriegums, šis spriegums nonāk arī uz instrumenta korpusa strāvu vadotajām daļām un var izraisīt elektrisko triecienu.

Kontaktligzdām, kas atrodas ārpus telpām jābūt aprīkotām ar automātiskiem drošinātājslēdzīem, kas nostrādā, ja strāvas plūsmā radušies bojājumi. To pieprasa jūsu elektroiekārtas instalācijas noteikumi. Lūdzu, to ņemt vērā, izmantojot mūsu instrumentus.

Strādājot ar mašīnu, vienmēr jānēsā aizsargbrilles. Tiek ieteikts nēsāt arī aizsargcimdus, slēgtus, neslīdošus apavus un priekšautu.

Skaidas un atlūzas nedrīkst ņemt ārā, kamēr mašīna darbojas.

Pirms jebkādiem darbiem, kas attiecas uz mašīnas apkopi, mašīnu noteikti vajag atvienot no kontaktligzdas.

Mašīnu pievienot kontaktligzdai tikai izslēgtā stāvoklī.

Pievienojuma kabeli vienmēr turēt atstātus no mašīnas darbības lauka. Kabelim vienmēr jāatrodas aiz mašīnas.

Putekļi, kas rodas darba gaitā, bieži ir kaitīgi veselībai un tiem nevajadzētu nokļūt organismā. Jānēsā piemērota maska, kas pasargā no putekļiem.

Saplaisājušas zāgu ripas un tādas, kas ir izmainījušas savu formu, nedrīkst izmantot.

Iegremdējamas zāģus drīkst izmantot tikai mīkstu materiālu apstrādei (koks, vieglie būvmateriāli sienām), cietākos materiālos iepriekš jāveic zāģa ripas izmēram atbilstošs urbums.

Vadotnes rullītis vienmēr jānovietu uz apsrādājamās detaļas.

Veicot darbus sienu, griestu un grīdas apvidū, vajag uzmanīties, lai nesabojātu elektriskos, gāzes un ūdens vadus.

Izmantojot ekstremālos apstākļos (piem., strādājot drēgnā vidē, atdalot caurules, kurās vēl var būt šķidrums), obligāti nepieciešams iepriekš ieslēgt avārijas strāvas aizsargslēdzi. Pēc avārijas strāvas aizsargslēdža iedarbošanās ierīce jānogādā remontā.

## NOTEIKUMIEM ATBILSTOŠS IZMANTOJUMS

Zobenzāģis zāģē koku, plastmasu un metālu. Ar to var veikt taisno zāģējumu, slīpo un kombinēto zāģēšanu. Ar to var zāģēt caurules, un tas zāģē līdz ar virsmu.

Šo instrumentu drīkst izmantot tikai saskaņā ar minētajiem lietošanas noteikumiem.

## ATBILSTĪBA CE NORMĀM

Mēs apliecinām, ka produkts, kura tehniskie parametri aprakstīti "tehnisko datu lapā", pilnībā atbilst prasībām saskaņā ar direktīvām 2011/65/EU (RoHS), 2006/42/EK, 2004/108/EK un attiecīgajiem harmonizētajiem normatīvajiem dokumentiem:

EN 60745-1:2009 + A11:2010

EN 60745-2-11:2010

EN 55014-1:2006 + A1:2009 + A2:2011

EN 55014-2:1997 + A1:2001 + A2:2008

EN 61000-3-2:2006 + A1:2009 + A2:2009

EN 61000-3-3:2008

Winnenden, 2013-08-07



Alexander Krug  
Managing Director



Pilnvarotais tehniskās dokumentācijas sastādītājs.

Teichronic Industries GmbH  
Max-Eyth-Straße 10  
71364 Winnenden  
Germany

## TĪKLA PIESLĒGUMS

Pieslēgt tikai vienkopa maiņstrāvas tīklam un tikai spriegumam, kas norādīts uz jaudas paneļa. Pieslēgums iespējams arī kontaktligzdām bez aizsargkontaktiem, jo runa ir par uzbūvi, kas atbilst II. aizsargklasei.

## APKOPE

Vajag vienmēr uzmanīt, lai būtu tīras dzesēšanas atveres.

Izmantojiet tikai firmu Milwaukee piederumus un firmas Milwaukee rezerves daļas. Lieciet nomainīt detaļas, kuru nomaiņa nav aprakstīta, kādā no firmu Milwaukee klientu apkalpošanas servisiem. (Skat. brošūru "Garantija/klientu apkalpošanas serviss".)

Pēc pieprasījuma, Jūsu Klientu apkalpošanas centrā vai pie Technotronic Industries GmbH, Max-Eyth-Straße 10, 71364 Winnenden, Vācijā, ir iespējams saņemt iekārtas montāžas rasējumu, iepriekš norādot iekārtas modeli un sērijas numuru, kas atrodas uz datu plāksnītes un sastāv no sešiem simboliem.

## SYMBOĻI



Pirms sākt lietot instrumentu, lūdzu, izlasiet lietošanas pamācību.



Pirms veicat jebkādas darbības attiecībā uz mašīnas apkopi, atvienojiet kontaktdakšu no kontaktligzdas.



Piederumi - standartaprīkojumā neietvertās, bet ieteicamās papildus komplektācijas detaļas no piederumu programmas.



Neizmetiet elektroiekārtas sadzīves atkritumos! Saskaņā ar Eiropas Direktīvu 2002/96/EG par lietotajam elektroiekārtām, elektronikas iekārtām un tas iekļaušanu valsts likumdošana lietotas elektroiekārtas ir jāsavac atsevišķi un jānogādā otrreizējai pārstrādei vidē draudzīga veida.



Aizsardzības kategorija II, elektroierīce, kuru lietojot aizsardzība pret elektrības triecienu ir atkarīga nevis no pamat izolācijas, bet gan no papildus drošības pasākumiem kā dubultā izolācija vai pastiprinātā izolācija.

**TECHNINIAI DUOMENYS Slenkamojo judesio pjūklas**

	SSPE 1300 QX		SSPE 1300 SX	
	220-240 V	110 V	220-240 V	110 V
Produkto numeris .....	3935 05 01... ..000001-999999	3935 10 01... ..000001-999999	4285 21 01... ..000001-999999	4291 06 01... ..000001-999999
Vardinė imamoji galia .....	1300 W	1200 W	1300 W	1200 W
Išėjimo galia .....	600 W	600 W	600 W	600 W
judesių skaičius laisva eiga .....	0-3000 min <sup>-1</sup>	0-3000 min <sup>-1</sup>	0-3000 min <sup>-1</sup>	0-3000 min <sup>-1</sup>
judesio aukštis .....	32 mm	32 mm	32 mm	32 mm
Maks. pjūvio gylis pjaunant:				
medieną .....	300 mm	300 mm	300 mm	300 mm
metalinius vamzdžius / profilius .....	250 mm	250 mm	250 mm	250 mm
Prietaiso svoris įvertintas pagal EPTA 2003/01 tyrimų metodiką .....	4,2 kg	4,2 kg	3,9 kg	3,9 kg

**Informacija apie triukšmą/vibraciją**

Vertės matuotos pagal EN 60 745.

Įvertintas A įrenginio keliamo triukšmo lygis dažniausiai sudaro:

Garso slėgio lygis (K=3 dB(A)) .....	91 dB (A)	91 dB (A)	91 dB (A)	91 dB (A)
Garso galios lygis (K=3 dB(A)) .....	102 dB (A)	102 dB (A)	102 dB (A)	102 dB (A)

**Nešioti klausos apsauginės priemonės!**

Bendroji svyravimų reikšmė (trijų krypčių vektorių suma), nustatyta remiantis EN 60745.

Vibravimų emisijos reikšmė a<sub>h</sub>

Medinių sijų pjovimas .....	14,5 m/s <sup>2</sup>	14,5 m/s <sup>2</sup>	14,5 m/s <sup>2</sup>	14,5 m/s <sup>2</sup>
Paklaida K .....	1,5 m/s <sup>2</sup>	1,5 m/s <sup>2</sup>	1,5 m/s <sup>2</sup>	1,5 m/s <sup>2</sup>
išpjauti iš medienos drožlių plokštės .....	22,5 m/s <sup>2</sup>	22,5 m/s <sup>2</sup>	22,5 m/s <sup>2</sup>	22,5 m/s <sup>2</sup>
Paklaida K .....	1,5 m/s <sup>2</sup>	1,5 m/s <sup>2</sup>	1,5 m/s <sup>2</sup>	1,5 m/s <sup>2</sup>

**TECHNINIAI DUOMENYS Slenkamojo judesio pjūklas**

	SSPE 1300 RX		SSPE 1500 X	
	220-240 V	110 V	220-240 V	110 V
Produkto numeris .....	4405 91 01... ..000001-999999	4405 91 01... ..000001-999999	4289 01 01... ..000001-999999	4291 46 01... ..000001-999999
Vardinė imamoji galia .....	1300 W	1300 W	1500 W	1500 W
Išėjimo galia .....	600 W	600 W	750 W	750 W
judesių skaičius laisva eiga .....	0-3000 min <sup>-1</sup>	0-3000 min <sup>-1</sup>	0-2800 min <sup>-1</sup>	0-2800 min <sup>-1</sup>
judesio aukštis .....	32 mm	32 mm	32 mm	32 mm
Maks. pjūvio gylis pjaunant:				
medieną .....	300 mm	300 mm	300 mm	300 mm
metalinius vamzdžius / profilius .....	250 mm	250 mm	250 mm	250 mm
Prietaiso svoris įvertintas pagal EPTA 2003/01 tyrimų metodiką .....	4,2 kg	4,2 kg	4,0 kg	4,0 kg

**Informacija apie triukšmą/vibraciją**

Vertės matuotos pagal EN 60 745.

Įvertintas A įrenginio keliamo triukšmo lygis dažniausiai sudaro:

Garso slėgio lygis (K=3 dB(A)) .....	91 dB (A)	91 dB (A)	91 dB (A)	91 dB (A)
Garso galios lygis (K=3 dB(A)) .....	102 dB (A)	102 dB (A)	102 dB (A)	102 dB (A)

**Nešioti klausos apsauginės priemonės!**

Bendroji svyravimų reikšmė (trijų krypčių vektorių suma), nustatyta remiantis EN 60745.

Vibravimų emisijos reikšmė a<sub>h</sub>

Medinių sijų pjovimas .....	14,5 m/s <sup>2</sup>	15,2 m/s <sup>2</sup>	15,2 m/s <sup>2</sup>	15,2 m/s <sup>2</sup>
Paklaida K .....	1,5 m/s <sup>2</sup>	1,6 m/s <sup>2</sup>	1,6 m/s <sup>2</sup>	1,6 m/s <sup>2</sup>
išpjauti iš medienos drožlių plokštės .....	22,5 m/s <sup>2</sup>	19,9 m/s <sup>2</sup>	19,9 m/s <sup>2</sup>	19,9 m/s <sup>2</sup>
Paklaida K .....	1,5 m/s <sup>2</sup>	2,2 m/s <sup>2</sup>	2,2 m/s <sup>2</sup>	2,2 m/s <sup>2</sup>

**DĖMESIO**

Instrukcijoje nurodyta svyravimų ribinė vertė yra išmatuota remiantis standartu EN 60745; ji gali būti naudojama keliems elektriniams instrumentams palyginti. Ji taikoma ir laikinai įvertinti svyravimų apkrovą.

Nurodyta svyravimų ribinė vertė yra taikoma pagrindinėse elektrinio instrumento naudojimo srityse. Svyravimų ribinė vertė gali skirtis naudojant elektrinį instrumentą kitose srityse, papildomai naudojant netinkamus elektrinius instrumentus arba juos nepakankamai techniškai prižiūrint. Dėl to viso darbo metu gali žymiai padidėti svyravimų apkrova.

Siekiant tiksliai nustatyti svyravimų apkrovą, būtina atsižvelgti ir į laikotarpį, kai įrenginys yra išjungtas arba įjungtas, tačiau faktiškai nenaudojamas. Dėl to viso darbo metu gali žymiai sumažėti svyravimų apkrova.

Siekiant apsaugoti vartotojus nuo svyravimo įtakos naudojamos papildomos saugos priemonės, pavyzdžiui, elektrinių darbo instrumentų techninė priežiūra, rankų šilumos palaikymas, darbo procesų organizavimas.

**⚠️ ĮSPĖJIMAS! Perskaitykite visus saugos nurodymus ir instrukcijas.** Jei nepaisysite žemiau pateiktų saugos nuorodų ir reikalavimų, gali trenkti elektros smūgis, kilti gaisras ir/arba galite sunkiai susižaloti arba sužaloti kitus asmenis.  
**Išsaugokite šias saugos nuorodas ir reikalavimus, kad ir ateityje galėtumėte jais pasinaudoti.**

## YPATINGOS SAUGUMO NUORODOS

**Nešiokite klausos apsaugos priemones.** Triukšmo poveikyje galima netekti klausos.

**Dirbdami laikykite prietaisą už izoliuotų vietų, kuriose pjovimo įrenginys pats galėtų liesti paslėptus laidus arba savo paties laidą.** Dėl kontakto su laidininku, kuriuo teka elektros srovė, metalinėse prietaiso dalyse atsiranda atampa ir naudojotas gali gauti elektros smūgą.

Lauke esantys el. lizdai turi būti su gedimo srovės išjungikliais. Tai nurodyta Jūsų elektros įrenginio instaliacijos taisyklėse. Atsivėlkite į tai, naudodami prietaisą.

Dirbdami su įrenginiu visada nešiokite apsauginius akinius. Rekomenduotina nešioti apsaugines pirštines, tvirtus batus neslidžiu padu bei prijuostę.

Draudžiama išiminėti drožles ar nuopjovas, įrenginiu veikiant.

Prieš atlikdami bet kokius įrenginyje, ištraukite iš lizdo kištuką.

Kištuką į lizdą įstatykite, tik kai įrenginys išjungtas.

Maitinimo kabelis turi nebūti įrenginio poveikio srityje. Kabelį visada nuveskite iš galinės įrenginio pusės.

Darbo metu susidarančios dulkės yra dažnai kenksmingos sveikatai ir todėl turėtų nepatekti į organizmą. Dėvėti tinkamą apsauginę kaukę nuo dulkių.

Įtrūkusius arba pakitusios formos pjovimo diskus naudoti draudžiama!

Pjauti įleidimo metodu galima tik minkštose medžiagose (medienoje, lengvųjų konstrukcijų medžiagose sienoms). Pjaunant kietose medžiagose, reikia išgręžti pjovimo disko dydį atitinkantį gręžinį.

Pjaudami kreipiamąjį rėmą visada priglauskite prie apdorojamos detalės.

Dirbdami sienoje, lubose arba grindyse, atkreipkite dėmesį į elektros laidus, dujų ir vandens vamzdžius.

Naudojant ekstremaliomis sąlygomis (pvz., dirbant drėgnoje aplinkoje, pjaustant vamzdžius, kuriuose dar gali būti skysčių), būtina iš anksto įjungti avarinės srovės apsaugos jungiklį. Suveikus avarinės srovės apsaugos jungikliui, įrenginį reikia atiduoti remontuoti.

## NAUDOJIMAS PAGAL PASKIRTĮ

Tiesinis pjūklas pjauna medieną, plastiką ir metalą. Jis pjauna tieses, kreives ir vidines išpjovas. Jis pjauna vamzdžius ir nupjauna lygiai su paviršiumi.

Šį prietaisą leidžiama naudoti tik pagal nurodytą paskirtį.

## CE ATITIKTIES PAREIŠKIMAS

Remiantis bendrais atsakomybės reikalavimais pareiškiamoje, jog skyriuje "Techniniai duomenys" aprašytas produktas atitinka visus toliau pateiktų juridinių direktyvų reikalavimus: 2011/65/EU (RoHS), 2006/42/EB, 2004/108/EB ir kitus su jomis susijusius norminius dokumentus:

EN 60745-1:2009 + A11:2010

EN 60745-2-11:2010

EN 55014-1:2006 + A1:2009 + A2:2011

EN 55014-2:1997 + A1:2001 + A2:2008

EN 61000-3-2:2006 + A1:2009 + A2:2009

EN 61000-3-3:2008

Winnenden, 2013-08-07

Alexander Krug

Managing Director



Įgaliotas parengti techninius dokumentus.

Techtronic Industries GmbH  
Max-Eyth-Straße 10  
71364 Winnenden  
Germany

## ELEKTROS TINKLO JUNGTIŠ

Jungti tik prie vienfazės kintamos elektros srovės ir tik į specifikacijų lentelėje nurodytos įtampos elektros tinklą. Konstrukcijos saugos klasė II, todėl galima jungti ir į lizdus be apsauginio kontakto.

## TECHNINIS APTARNAVIMAS

Įrenginio vėdinimo angos visada turi būti švarios.

Naudokite tik „Milwaukee“ priedus ir „Milwaukee“ atsargines dalis. Dalis, kurių keitimas neaprašytas, leidžiama keisti tik „Milwaukee“ klientų aptarnavimo skyriams (žr. garantiją/klientų aptarnavimo skyrių adresus brošiūroje).

Esant poreikiui, nurodžius mašinos modelį ir šešiaženklį numerį, esantį ant specifikacijų lentelės, klientų aptarnavimo centre arba tiesiogiai „Techtronic Industries GmbH“, Max-Eyth-Str. 10, 71364 Winnenden, Vokietija, galite užsakyti išplėstinį prietaiso brėžinį.

## SIMBOLIAI



Prieš pradėdami dirbti su prietaisu, atidžiai perskaitykite jo naudojimo instrukciją.



Prieš atlikdami bet kokius darbus įrenginyje, ištraukite kištuką iš lizdo.



Priedas - neįeina į tiekimo komplektaciją, rekomenduojamas papildymas iš priedų asortimento.



Neišmeskite elektros įrengimu ir buitinius šiukšlynus! Pagal ES Direktyva 2002/96/EG dėl naudoto įrengimu, elektros įrengimu ir ju ištraukimo į valstybinius įstatymus naudotus įrengimus būtina suringti atskirai ir nugabenti antriniu žaliavų perdirbimui aplinkai nekenksmingu būdu.



II-os apsaugos klasės elektros prietaisais, kuris nuo elektros srovės poveikio yra apsaugotas ne tik pagrindine izoliacija, bet ir tokiomis papildomomis apsauginėmis priemonėmis, kaip dviguba arba sustiprinta izoliacija.

## TEHNILISED ANDMED

## Tükeldussaaq

SSPE 1300 QX  
220-240 V 110 VSSPE 1300 SX  
220-240 V 110 V

Tootmisnumber .....	3935 05 01... ..3935 10 01... ..4285 21 01... ..4291 06 01...
	...000001-999999 ..000001-999999 ..000001-999999 ..000001-999999
Nimitarbimine .....	1300 W .....1200 W..... 1300 W .....1200 W
Väljundvõimsus .....	600 W .....600 W..... 600 W .....600 W
Käikude arv tühijooksul.....	0-3000 min <sup>-1</sup> ..0-3000 min <sup>-1</sup> ..0-3000 min <sup>-1</sup> ..0-3000 min <sup>-1</sup>
Käigu kõrgus.....	32 mm .....32 mm ..... 32 mm .....32 mm
Lõikesügavus maks:	
Puit .....	300 mm .....300 mm ..... 300 mm .....300 mm
Metalltorud / profiilid .....	250 mm .....250 mm ..... 250 mm .....250 mm
Kaal vastavalt EPTA-protseduurile 01/2003 .....	4,2 kg .....4,2 kg ..... 3,9 kg .....3,9 kg

**Müra/vibratsiooni andmed**

Mõõteväärtused on kindlaks tehtud vastavalt normile EN 60 745.

Seadme tüüpiline hinnanguline (A) müratase:

Helirõhutase (K = 3dB(A)) .....	91 dB (A) .....91 dB (A) ..... 91 dB (A) .....91 dB (A)
Helivõimsuse tase (K = 3dB(A)) .....	102 dB (A) .....102 dB (A) ..... 102 dB (A) .....102 dB (A)

**Kandke kaitseks kõrvaklappe!**

Vibratsiooni koguväärtus (kolme suuna vektorsumma) mõõdetud EN 60745 järgi.

Vibratsiooni emissiooni väärtus a<sub>h</sub>

Puitprusside saagimine .....	14,5 m/s <sup>2</sup> .....14,5 m/s <sup>2</sup> ..... 14,5 m/s <sup>2</sup> .....14,5 m/s <sup>2</sup>
Määramatus K .....	1,5 m/s <sup>2</sup> .....1,5 m/s <sup>2</sup> ..... 1,5 m/s <sup>2</sup> .....1,5 m/s <sup>2</sup>
lõigatud puitlaastplaadist .....	22,5 m/s <sup>2</sup> .....22,5 m/s <sup>2</sup> ..... 22,5 m/s <sup>2</sup> .....22,5 m/s <sup>2</sup>
Määramatus K .....	1,5 m/s <sup>2</sup> .....1,5 m/s <sup>2</sup> ..... 1,5 m/s <sup>2</sup> .....1,5 m/s <sup>2</sup>

## TEHNILISED ANDMED

## Tükeldussaaq

SSPE 1300 RX  
220-240 VSSPE 1500 X  
220-240 V 110 V

Tootmisnumber .....	4405 91 01... ..4289 01 01... ..4291 46 01...
	...000001-999999 ..000001-999999 ..000001-999999
Nimitarbimine .....	1300 W .....1500 W..... 1500 W .....1500 W
Väljundvõimsus .....	600 W .....750 W..... 750 W .....750 W
Käikude arv tühijooksul.....	0-3000 min <sup>-1</sup> ..0-2800 min <sup>-1</sup> ..0-2800 min <sup>-1</sup> ..0-2800 min <sup>-1</sup>
Käigu kõrgus.....	32 mm .....32 mm ..... 32 mm .....32 mm
Lõikesügavus maks:	
Puit .....	300 mm .....300 mm ..... 300 mm .....300 mm
Metalltorud / profiilid .....	250 mm .....250 mm ..... 250 mm .....250 mm
Kaal vastavalt EPTA-protseduurile 01/2003 .....	4,2 kg .....4,0 kg .....4,0 kg

**Müra/vibratsiooni andmed**

Mõõteväärtused on kindlaks tehtud vastavalt normile EN 60 745.

Seadme tüüpiline hinnanguline (A) müratase:

Helirõhutase (K = 3dB(A)) .....	91 dB (A) .....91 dB (A) ..... 91 dB (A) .....91 dB (A)
Helivõimsuse tase (K = 3dB(A)) .....	102 dB (A) .....102 dB (A) ..... 102 dB (A) .....102 dB (A)

**Kandke kaitseks kõrvaklappe!**

Vibratsiooni koguväärtus (kolme suuna vektorsumma) mõõdetud EN 60745 järgi.

Vibratsiooni emissiooni väärtus a<sub>h</sub>

Puitprusside saagimine .....	14,5 m/s <sup>2</sup> .....15,2 m/s <sup>2</sup> ..... 15,2 m/s <sup>2</sup> .....15,2 m/s <sup>2</sup>
Määramatus K .....	1,5 m/s <sup>2</sup> .....1,6 m/s <sup>2</sup> ..... 1,6 m/s <sup>2</sup> .....1,6 m/s <sup>2</sup>
lõigatud puitlaastplaadist .....	22,5 m/s <sup>2</sup> .....19,9 m/s <sup>2</sup> ..... 19,9 m/s <sup>2</sup> .....19,9 m/s <sup>2</sup>
Määramatus K .....	1,5 m/s <sup>2</sup> .....2,2 m/s <sup>2</sup> ..... 2,2 m/s <sup>2</sup> .....2,2 m/s <sup>2</sup>

**TÄHELEPANU**

Antud juhendis toodud võnketase on mõõdetud EN 60745 standardile vastava mõõtesüsteemiga ning seda võib kasutada erinevate elektriseadmete omavahelises võrdlemises. Antud näitaja sobib ka esmaseks võnkekoormuse hindamiseks.

Antud võnketase kehtib elektriseadme kasutamisel sihtotstarbeliselt. Kui elektriseadet kasutatakse muudel otstarvetel, muude tööriistadega või seda ei hooldata piisavalt võib võnketase siintoodust erineda. Eeltoodu võib võnketaset märkimisväärselt tõsta terves töökeskonnas.

Võnketaseme täpseks hindamiseks tuleks arvestada ka AEGA, mil seade on välja lülitatud või on küll sisse lülitatud, kuid ei ole otseselt kasutuses. See võib märgatavalt vähendada kogu töökeskonna võnketaset.

Rakendage spetsiaalseid ettevaatusabinõusid töötajate suhtes, kes puutuvad töö käigus palju kokku vibratsiooniga. Nendeks abinõudeks võivad olla, näiteks: elektri- ja tööseadmete korraline hooldus, käte soojendamine, töövoa parem organiseerimine.

**⚠ HOIATUS! Lugege kõiki ohutusjuhiseid ja korraldusi.** Ohutusnõuete ja juhiste eiramise tagajärjekes võib olla elektrilöökk, tulekahju ja/või raskest vigastused. **Hoidke kõik ohutusnõuded ja juhised edasiseks kasutamiseks hoolikalt alles.**

## SPETSIAALSED TURVAJUHISED

**Kandke kaitseks kõrvaklappe.** Müra mõju võib kutsuda esile kuulmise kaotuse.

**Tööde puhul, kus lõikeseade võib minna vastu peidetud elektrijuhtmeid või seadme enda toitejuhet, hoidke kinni seadme isoleeritud käepidemetest.** Kokkupuude pinge all oleva juhtmega võib seada seadme enda metallosad pingele alla ja põhjustada elektrilöögi.

Välitingimustes asuvad pistikupesad peavad olema varustatud rikkevoolukaitselülilitiga. Seda nõutakse Teie elektriseadme installeerimiseeskirjas. Palun pidage sellest meie seadme kasutamisel kinni.

Masinaga töötades kandke alati kaitseprille. Soovitatavad on kaitsekindad, tugevad ja libesemiskindlad jalanõud ning põll.

Puru ega pilpaid ei tohi eemaldada masina töötamise ajal.

Enne kõiki töid masina kallal tõmmake pistik pistikupesast välja.

Masinaga peab pistikupesasse ühendamisega olema alati väljalülitatud seisundis.

Hoidke ühendusjuhte alati masina tööpiirkonnast eemal. Vedage juhte alati masinast tahapoole.

Töö ajal tekkiv tolm on sageli tervistkahjustav ning ei tohiks sattuda organismi. Kanda sobivat kaitsemaski.

Mõranenud ning deformeerunud saelehti ei tohi kasutada!

Sukeldumisega saagimine on võimalik ainult pehmemate materjalide puhul (puu, kerged seinamaterjalid), kõvemate materjalide (metallide) puhul tuleb saagimiseks puurida saelehe suurusele vastav auk.

Saagimisel asetage juhtkaar alati toorikule toeks.

Seina, lae või põranda tööde puhul pidage silmas elektrijuhtmeid, gaasi- ja veetorusid.

Äärmuslikes tingimustes (nt niiskes keskkonnas, torude lõikamisel, kus võib olla veel vedelikku) töötamisel peab süsteem olema kaitstud rikkevoolukaitsmega. Kui rikkevoolukaitselülitub sisse, tuleb saata masin remonti.

## KASUTAMINE VASTAVALT OTSTARBELE

Saabelsaag puidu, plasti ja metalli lõikamiseks. Sobib sirg-, kurv- ning siseväljalõigeteks. Lõikab torusid ning mööda tasapinda.

Antud seadet tohib kasutada ainult vastavalt äranäidatud otstarbele.

## EÜ VASTAVUSAVALDUS

Me deklareerime ainuisikuliselt vastutades, et lõigus „Tehnilised andmed“ kirjeldatud toode vastab direktiivide 2011/65/EU (RoHS), 2006/42/EÜ, 2004/108/EÜ kõigile olulisele tähtsusega eeskirjadele ning järgmistele harmoniseeritud normatiivsetele dokumentidele:

EN 60745-1:2009 + A11:2010

EN 60745-2-11:2010

EN 55014-1:2006 + A1:2009 + A2:2011

EN 55014-2:1997 + A1:2001 + A2:2008

EN 61000-3-2:2006 + A1:2009 + A2:2009

EN 61000-3-3:2008

Winnenden, 2013-08-07



Alexander Krug  
Managing Director



On volitatud koostama tehnilist dokumentatsiooni.

Techtronic Industries GmbH  
Max-Eyth-Straße 10  
71364 Winnenden  
Germany

## VÕRKU ÜHENDAMINE

Ühendage ainult ühefaasilise vahelduvvooluga ning ainult andmesildil toodud võrgupingega. Ühendada on võimalik ka kaitsekontaktita pistikupesadesse, kuna nende konstruktsioon vastab kaitseklassile II.

## HOOLDUS

Hoidke masina õhutuspilud alati puhtad.

Kasutage ainult Milwaukee tarvikuid ja Milwaukee tagavaraosi. Detailid, mille väljavahetamist pole kirjeldatud, laske välja vahetada Milwaukee klientide teeninduspunktis (vaadake brošüüri garantii / klientide teeninduste aadressid).

Vajadusel saab nõuda seadme plahvatusjoonise võimsussildil oleva masinatüübi ja kuuekohalise numbril alusel klientide teeninduspunktist või vahetult firmalt Techtronic Industries GmbH, Max-Eyth-Straße 10, 71364 Winnenden, Germany.

## SÜMBOLID



Palun lugege enne käikulaskmist kasutamisyhend hoolikalt läbi.



Enne kõiki töid masina kallal tõmmake pistik pistikupesast välja.



Tarvikud - ei kuulu tarne komplekti, soovitatav täiendus on saadaval tarvikute programmis.



Ärge käideldage kasutuskõlbmatuks muutunud elektrilisi tööriistu koos olmejäätmetega! Vastavalt Euroopa Parlamendi ja nõukogu direktiivile 2002/96/EÜ elektri- ja elektroonikaseadmete jäätmete kohta ning direktiivi nõuete kohaldamisele liikmesriikides tuleb asutuskõlbmatuks muutunud elektrilised tööriistad koguda eraldi ja keskkonnasäästlikult korduskasutada või ringlusse võtta.



Kaitseklass II, elektritööriist, mille puhul ei sõltu kaitse mitte üksnes baasisolatsiooni, vaid täiendatavate kaitsemeetmete nagu topeltisolatsiooni või tugevdatud isolatsiooni kohaldamisest.

**ТЕХНИЧЕСКИЕ ДАННЫЕ****Сабельная пила****SSPE 1300 QX**  
220-240 V 110 V**SSPE 1300 SX**  
220-240 V 110 V

Серийный номер изделия .....	3935 05 01... ..00001-99999	3935 10 01... ..00001-99999	4285 21 01... ..00001-99999	4291 06 01... ..00001-99999
Номинальная выходная мощность (Ватт) .....	1300 W	1200 W	1300 W	1200 W
Номинальная мощность .....	600 W	600 W	600 W	600 W
Частота хода без нагрузки .....	0-3000 min <sup>-1</sup>	0-3000 min <sup>-1</sup>	0-3000 min <sup>-1</sup>	0-3000 min <sup>-1</sup>
Длина хода .....	32 mm	32 mm	32 mm	32 mm
Макс. глубина резки в:				
Дерево .....	300 mm	300 mm	300 mm	300 mm
Металлическая труба / Сортовой металл .....	250 mm	250 mm	250 mm	250 mm
Вес согласно процедуре EPTA 01/2003 .....	4,2 kg	4,2 kg	3,9 kg	3,9 kg

**Информация по шумам/вибрации**

Значения замерялись в соответствии со стандартом EN 60 745.

Уровень шума прибора, определенный по показателю

A, обычно составляет:

Уровень звукового давления (K=3 dB(A)) .....

Уровень звуковой мощности (K=3 dB(A)) .....

**Пользуйтесь приспособлениями для защиты слуха.**

Общие значения вибрации (векторная сумма трех направлений) определены в соответствии с EN 60745.

Значение вибрационной эмиссии a<sub>h</sub>

Пиление деревянных балок .....

Небезопасность K .....

Сократить ДСП .....

Небезопасность K .....

**ТЕХНИЧЕСКИЕ ДАННЫЕ**

**Сабельная пила**

**SSPE 1300 RX**  
220-240 V

**SSPE 1500 X**  
220-240 V 110 V

Серийный номер изделия .....	4405 91 01... ..00001-99999	4289 01 01... ..00001-99999	4291 46 01... ..00001-99999
Номинальная выходная мощность (Ватт) .....	1300 W	1500 W	1500 W
Номинальная мощность .....	600 W	750 W	750 W
Частота хода без нагрузки .....	0-3000 min <sup>-1</sup>	0-2800 min <sup>-1</sup>	0-2800 min <sup>-1</sup>
Длина хода .....	32 mm	32 mm	32 mm
Макс. глубина резки в:			
Дерево .....	300 mm	300 mm	300 mm
Металлическая труба / Сортовой металл .....	250 mm	250 mm	250 mm
Вес согласно процедуре EPTA 01/2003 .....	4,2 kg	4,0 kg	4,0 kg

**Информация по шумам/вибрации**

Значения замерялись в соответствии со стандартом EN 60 745.

Уровень шума прибора, определенный по показателю

A, обычно составляет:

Уровень звукового давления (K=3 dB(A)) .....

Уровень звуковой мощности (K=3 dB(A)) .....

**Пользуйтесь приспособлениями для защиты слуха.**

Общие значения вибрации (векторная сумма трех направлений) определены в соответствии с EN 60745.

Значение вибрационной эмиссии a<sub>h</sub>

Пиление деревянных балок .....

Небезопасность K .....

Сократить ДСП .....

Небезопасность K .....

**ВНИМАНИЕ**

Указанный в настоящем руководстве уровень вибрации измерен в соответствии с технологией измерения, установленной стандартом EN 60745 и может использоваться для сравнения электроинструментов друг с другом. Он также подходит для предварительной оценки вибрационной нагрузки.

Указанный уровень вибрации представляет основные виды использования электроинструмента. Но если электроинструмент используется для других целей, используемый инструмент отклоняется от указанного или техническое обслуживание было недостаточным, то уровень вибрации может отклоняться от указанного. В этом случае вибрационная нагрузка в течение всего периода работы значительно увеличивается.

Для точной оценки вибрационной нагрузки необходимо также учитывать время, в течение которого прибор отключен или включен, но фактически не используется. В этом случае вибрационная нагрузка в течение всего периода работы может существенно уменьшиться.

Установите дополнительные меры безопасности для защиты пользователя от воздействия вибрации, например: техническое обслуживание электроинструмента и используемого инструмента, поддержание рук в теплом состоянии, организация рабочих процессов.

**⚠ ВНИМАНИЕ! Ознакомьтесь со всеми указаниями по безопасности и инструкциями, в том числе с инструкциями, содержащимися в прилагающейся брошюре.** Упущения, допущенные при соблюдении указаний и инструкций по технике безопасности, могут стать причиной электрического поражения, пожара и тяжелых травм. **Сохраняйте эти инструкции и указания для будущего использования.**

**62 РУССКИЙ**

## РЕКОМЕНДАЦИИ ПО ТЕХНИКЕ БЕЗОПАСНОСТИ

**Используйте наушники!** Воздействие шума может привести к потере слуха.

**Если Вы выполняете работы, при которых режущий инструмент может зацепить скрытую электропроводку или собственный кабель, инструмент следует держать за специально предназначенные для этого изолированные поверхности.** Контакт с ведущими напряжениями проводами ставит металлические части прибора под напряжение и ведет к поражению электротоком.

Электроприборы, используемые во многих различных местах, в том числе на открытом воздухе, должны подключаться через устройство, предотвращающее резкое повышение напряжения.

При работе с инструментом всегда надевайте защитные очки. Рекомендуется надевать перчатки, прочные нескользящие ботинки и фартук.

Не убирайте опилки и обломки при включенном инструменте.

Перед выполнением каких-либо работ по обслуживанию инструмента всегда вынимайте вилку из розетки.

Вставляйте вилку в розетку только при выключенном инструменте.

Держите силовой провод вне рабочей зоны инструмента. Всегда прокладывайте кабель за спиной.

Пыль, возникающая при работе данным инструментом, может нанести вред здоровью. Не следует допускать её попадания в организм. Надевайте противоылеевой респиратор.

Не используйте треснувшие или погнутые полотна пилы.

Врезание без предварительного высверливания отверстий возможно в мягких материалах (дерево, легкие строительных материалах для стен). В более твердых материалах (металле) необходимо сначала просверлить отверстия, соответствующие размеру пильного полотна.

При пилении всегда прижимайте направляющий башмак к обрабатываемой детали.

При работе в стенах, потолках или полу следите за тем, чтобы не повредить электрические кабели или водопроводные трубы.

При предельных условиях эксплуатации (например, при работе во влажной местности, при разделении труб, которые еще могут содержать влагу) следует обязательно предварительно включить автомат защиты от тока утечки. После срабатывания автомата защиты от тока утечки машину необходимо отправить в ремонт.

## ИСПОЛЬЗОВАНИЕ

Эта сабельная пила пилит дерево, пластик и металл. Она может пилить по кривой и заподлицо с поверхностью.

Не пользуйтесь данным инструментом способом, отличным от указанного для нормального применения.

## ДЕКЛАРАЦИЯ О СООТВЕТСТВИИ СТАНДАРТАМ ЕС

Мы заявляем под собственную ответственность, что изделие, описанное в разделе „Технические характеристики“, соответствует всем важным предписаниям Директивы 2011/65/EU (Директива об ограничении применения опасных веществ в электрических и электронных приборах), 2006/42/EC, 2004/108/EC и приведенным далее гармонизированным нормативным документам:

EN 60745-1:2009 + A11:2010

EN 60745-2-11:2010

EN 55014-1:2006 + A1:2009 + A2:2011

EN 55014-2:1997 + A1:2001 + A2:2008

EN 61000-3-2:2006 + A1:2009 + A2:2009

EN 61000-3-3:2008

Winnenden, 2013-08-07



Alexander Krug  
Managing Director



Уполномочен на составление технической документации.

Techtronic Industries GmbH  
Max-Eyth-Straße 10  
71364 Winnenden  
Germany

## ПОДКЛЮЧЕНИЕ К ЭЛЕКТРОСЕТИ

Подсоединять только к однофазной сети переменного тока с напряжением, соответствующим указанному на инструменте. Электроинструмент имеет второй класс защиты,

## ОБСЛУЖИВАНИЕ

Вентиляционные отверстия инструмента должны всегда быть открытыми.

Пользуйтесь аксессуарами и запасными частями Milwaukee. В случае возникновения необходимости в замене, которая не была описана, обращайтесь в один из сервисных центров по обслуживанию электроинструментов Milwaukee (см. список сервисных организаций).

При необходимости, у сервисной службы или непосредственно у фирмы Techtronic Industries GmbH, Max-Eyth-Straße 10, 71364, Винненден, Германия, можно запросить сборочный чертеж устройства, сообщив его тип и шестизначный номер, указанный на фирменной табличке.

## СИМВОЛЫ



Пожалуйста, внимательно прочтите инструкцию по использованию перед началом любых операций с инструментом.



Перед выполнением каких-либо работ по обслуживанию инструмента всегда вынимайте вилку из розетки.



Дополнитель - В стандартную комплектацию не входит, поставляется в качестве дополнительной принадлежности.



Не выбрасывайте электроинструмент с бытовыми отходами! Согласно Европейской директиве 2002/96/EC по отходам от электрического и электронного оборудования и соответствующим нормам национального права вышедшие из употребления электроинструменты подлежат сбору отдельно для экологически безопасной утилизации.



Класс защиты II, электроинструмент, в котором защита от поражения электрическим током зависит не только от базовой изоляции, но и от дополнительных защитных мер, таких как двойная изоляция или усиленная изоляция.



Соответствие техническому регламенту



Национальный знак відповідності України

TR 066

**ТЕХНИЧЕСКИ ДАННИ****Саблевиден трион****SSPE 1300 QX**  
220-240 V 110 V**SSPE 1300 SX**  
220-240 V 110 V

Производствен номер.....	3935 05 01.....	3935 10 01.....	4285 21 01.....	4291 06 01.....
Консумирана мощност.....	1300 W	1200 W	1300 W	1200 W
Отдавана мощност.....	600 W	600 W	600 W	600 W
Честота на движение на триончето на празен ход.....	0-3000 min <sup>-1</sup>	0-3000 min <sup>-1</sup>	0-3000 min <sup>-1</sup>	0-3000 min <sup>-1</sup>
Височина на хода.....	32 mm	32 mm	32 mm	32 mm
Макс. дълбочина на рязане в:				
дърво.....	300 mm	300 mm	300 mm	300 mm
метални тръби / профили.....	250 mm	250 mm	250 mm	250 mm
Тегло съгласно процедурата EPTA 01/2003.....	4,2 kg	4,2 kg	3,9 kg	3,9 kg

**Информация за шума/вибрациите**

Измерените стойности са получени съобразно EN 60 745.

Оцененото с А ниво на шума на уреда е съответно:

Ниво на звукова мощност (K=3 dB(A)).....91 dB (A).....91 dB (A).....91 dB (A).....91 dB (A)

Ниво на звукова мощност (K=3 dB(A)).....102 dB (A).....102 dB (A).....102 dB (A).....102 dB (A)

**Да се носи предпазно средство за слуха!**

Общите стойности на вибрациите (векторна сума на три

посоки) са определени в съответствие с EN 60745.

Стойност на емисии на вибрациите a<sub>h</sub>Рязане на дървени трупи.....14,5 m/s<sup>2</sup>.....14,5 m/s<sup>2</sup>.....14,5 m/s<sup>2</sup>.....14,5 m/s<sup>2</sup>Несигурност К.....1,5 m/s<sup>2</sup>.....1,5 m/s<sup>2</sup>.....1,5 m/s<sup>2</sup>.....1,5 m/s<sup>2</sup>Нарязани ПДЧ.....22,5 m/s<sup>2</sup>.....22,5 m/s<sup>2</sup>.....22,5 m/s<sup>2</sup>.....22,5 m/s<sup>2</sup>Несигурност К.....1,5 m/s<sup>2</sup>.....1,5 m/s<sup>2</sup>.....1,5 m/s<sup>2</sup>.....1,5 m/s<sup>2</sup>**ТЕХНИЧЕСКИ ДАННИ****Саблевиден трион****SSPE 1300 RX**  
220-240 V**SSPE 1500 X**  
220-240 V 110 V

Производствен номер.....	4405 91 01.....	4289 01 01.....	4291 46 01.....
Консумирана мощност.....	1300 W	1500 W	1500 W
Отдавана мощност.....	600 W	750 W	750 W
Честота на движение на триончето на празен ход.....	0-3000 min <sup>-1</sup>	0-2800 min <sup>-1</sup>	0-2800 min <sup>-1</sup>
Височина на хода.....	32 mm	32 mm	32 mm
Макс. дълбочина на рязане в:			
дърво.....	300 mm	300 mm	300 mm
метални тръби / профили.....	250 mm	250 mm	250 mm
Тегло съгласно процедурата EPTA 01/2003.....	4,2 kg	4,0 kg	4,0 kg

**Информация за шума/вибрациите**

Измерените стойности са получени съобразно EN 60 745.

Оцененото с А ниво на шума на уреда е съответно:

Ниво на звукова мощност (K=3 dB(A)).....91 dB (A).....91 dB (A).....91 dB (A)

Ниво на звукова мощност (K=3 dB(A)).....102 dB (A).....102 dB (A).....102 dB (A)

**Да се носи предпазно средство за слуха!**

Общите стойности на вибрациите (векторна сума на три

посоки) са определени в съответствие с EN 60745.

Стойност на емисии на вибрациите a<sub>h</sub>Рязане на дървени трупи.....14,5 m/s<sup>2</sup>.....15,2 m/s<sup>2</sup>.....15,2 m/s<sup>2</sup>Несигурност К.....1,5 m/s<sup>2</sup>.....1,6 m/s<sup>2</sup>.....1,6 m/s<sup>2</sup>Нарязани ПДЧ.....22,5 m/s<sup>2</sup>.....19,9 m/s<sup>2</sup>.....19,9 m/s<sup>2</sup>Несигурност К.....1,5 m/s<sup>2</sup>.....2,2 m/s<sup>2</sup>.....2,2 m/s<sup>2</sup>**ВНИМАНИЕ**

Посоченото в тези инструкции ниво на вибрациите е измерено в съответствие със стандартизиран в EN 60745 измервателен метод и може да се използва за сравнение на електрически инструменти помежду им. Подходящ е и за временна оценка на вибрационното натоварване.

Посоченото ниво на вибрациите представя основните приложения на електрическия инструмент. Ако обаче електрическият инструмент се използва с друго предназначение, с различни сменяеми инструменти или при недостатъчна техническа поддръжка, нивото на вибрациите може да е различно. Това чувствително може да увеличи вибрационното натоварване по време на целия работен цикъл.

За точната оценка на вибрационното натоварване трябва да се вземат предвид и периодите от време, в които уредът е изключен

или работи, но в действителност не се използва. Това чувствително може да намали вибрационното натоварване по време на целия работен цикъл.

Определете допълнителни мерки по техника на безопасност в защита на обслужващия работник от въздействието на вибрациите като например: техническа поддръжка на електрическия инструмент и сменяемите инструменти, поддържане на ръцете топли, организация на работния цикъл.

**⚠ ВНИМАНИЕ! Прочетете указанията за безопасност и съветите в приложената брошура.** Неспазването на приведените по-долу указания може да доведе до токов удар, пожар и/или тежки травми.

**Съхранявайте тези указания на сигурно място.**



## СПЕЦИАЛНИ УКАЗАНИЯ ЗА БЕЗОПАСНОСТ

### Носете средство за защита на слуха.

Въздействието на шума може да предизвика загуба на слуха.

**Дръжте уреда за изолираните ръкохватки, когато извършвате работи, при които режещият инструмент може да засегне скрити електроинсталационни кабели или собствения си кабел.** Контактът на режещия инструмент с тоководещ проводник може да предаде напрежението върху метални части на уреда и да доведе до токов удар.

Контактите във външните участъци трябва да бъдат оборудвани със защитни прекъсвачи за утечен ток. Това изисква предписанието за инсталиране за електрическата инсталация. Моля спазвайте това при използване на Вашия уред.

При работа с машината винаги носете предпазни очила. Препоръчват се също така предпазни ръкавици, здрави и нехлъзгащи се обувки, както и престилка.

Стружки или отчупени парчета да не се отстраняват, докато машина работи.

Преди каквито и да е работи по машината извадете щепсела от контакта.

Свързвайте машината към контакта само в изключено положение.

Свързващият кабел винаги да се държи извън работния обсяг на машината. Кабелът да се отвежда от машината винаги назад.

Прахът, който се образува при работа, често е вреден за здравето и не бива да попада в тялото. Да се носи подходяща прахозащитна маска.

Да не се използват напукани режещи листове или такива, които са се деформирали!

Рязане с потъване на триона е възможно само при по-меки материали (дърво, леки строителни материали за стени), а при по-твърди материали (метали) трябва да се направи голям отвор съобразно режещия лист.

При рязане водещата скоба винаги да приляга към обработвания материал.

При работа в стени, тавани или подове внимавайте за кабели, газопроводи и водопроводи.

При експлоатация в екстремни условия (например работа в среда с висока влажност, рязане на тръби, които може би съдържат течности) обезателно е необходимо предварително включване на защитен прекъсвач срещу недопустим утечен ток. След задействане на защитния прекъсвач машината трябва да бъде изпратена за ремонт.

## ИЗПОЛЗВАНЕ ПО ПРЕДНАЗНАЧЕНИЕ

Сабелвидният трион реже дърво, пластмаса и метал. Той реже по права и по крива линия, прави вътрешни изрези. Той реже тръби и разделя повърхности подравнено.

Този уред може да се използва по предназначение само както е посочено.

## СЕ - ДЕКЛАРАЦИЯ ЗА СЪОТВЕТСТВИЕ

Заявяваме под собствена отговорност, че описаният в "Технически данни" продукт съответства на всички важни разпоредби на директива 2011/65/EU (RoHS), 2006/42/EO, 2004/108/EO, както и на всички следващи нормативни документи във тази връзка.

EN 60745-1:2009 + A11:2010

EN 60745-2-11:2010

EN 55014-1:2006 + A1:2009 + A2:2011

EN 55014-2:1997 + A1:2001 + A2:2008

EN 61000-3-2:2006 + A1:2009 + A2:2009

EN 61000-3-3:2008

Winnenden, 2013-08-07



Alexander Krug  
Managing Director



Упълномощен за съставяне на техническата документация

Techtronic Industries GmbH  
Max-Eyth-Straße 10  
71364 Winnenden  
Germany

## ЗАЩИТА НА ДВИГАТЕЛЯ В ЗАВИСИМОСТ ОТ НАТОВАРВАНЕТО

Да се свързва само към еднофазен променлив ток и само към мрежово напрежение, посочено върху заводската табелка. Възможно е и свързване към контакт, който не е от тип „шуко“, понеже конструкцията е от защитен клас II.

## ПОДДРЪЖКА

Вентилационните шлицы на машината да се поддържат винаги чисти.

Да се използват само аксесоари на Milwaukee и резервни части на Milwaukee. Елементи, чията подмяна не е описана, да се дадат за подмяна в сервиз на Milwaukee (вижте брошурата „Гаранция и адреси на сервизи“).

При необходимост можете да поискате схема на елементите на уреда при посочване на обозначение на машината и шестцифрения номер на табелката за технически данни от Вашия сервиз или директно на Techtronic Industries GmbH, Max-Eyth-Straße 10, 71364 Winnenden, Германия.

## СИМВОЛИ



Преди пускане на уреда в действие моля прочетете внимателно инструкцията за използване.



Преди всякакви работи по машината извадете щепсела от контакта.



Аксесоари - Не се съдържат в обема на доставката, препоръчвано допълнение от програмата за аксесоари.



Не извърляйте електроинструменти при битовите отпадъци! Съобразно Европейска директива 2002/96/EO за стари електрически и електронни уреди и нейното реализиране в националното законодателство изхабените електроинструменти трябва да се събират отделно и да се предават в пункт за екологосъобразно рециклиране.



Клас на защита II, електроинструмент, при който защитата срещу токов удар зависи не само от основното изолиране, а при която се използват допълнителни предпазни мерки, като двойна изолация или подсилена изолация.

DATE TEHNICE	Ferăstrău sabie		SSPE 1300 QX		SSPE 1300 SX	
	220-240 V	110 V	220-240 V	110 V	220-240 V	110 V
Numerul producției .....	3935 05 01... ..000001-999999	3935 10 01... ..000001-999999	4285 21 01... ..000001-999999	4291 06 01... ..000001-999999		
Putere nominală de ieșire .....	1300 W	1200 W	1300 W	1200 W		
Putere de ieșire .....	600 W	600 W	600 W	600 W		
Cursa în gol .....	0-3000 min <sup>-1</sup>	0-3000 min <sup>-1</sup>	0-3000 min <sup>-1</sup>	0-3000 min <sup>-1</sup>		
Lungimi de cursă .....	32 mm	32 mm	32 mm	32 mm		
Adâncimea max. de tăiere						
Lemn .....	300 mm	300 mm	300 mm	300 mm		
Țeavă metalică / Profile .....	250 mm	250 mm	250 mm	250 mm		
Greutatea conform „EPTA procedure 01/2003” .....	4,2 kg	4,2 kg	3,9 kg	3,9 kg		

#### Informație privind zgomotul/vibrațiile

Valori măsurate determinate conform EN 60 745.

Nivelul de zgomot evaluat cu A al aparatului este tipic de:

Nivelul presiunii sonore (K=3 dB(A)) .....

Nivelul sunetului (K=3 dB(A)) .....

#### Purtați căști de protecție

Valorile totale de oscilație (suma vectorială pe trei direcții) determinate conform normei EN 60745.

Valoarea emisiei de oscilații a<sub>n</sub>

Tăierea grinzilor de lemn .....

Nesiguranță K .....

Tăiere de plăci aglomerate .....

Nesiguranță K .....

DATE TEHNICE	Ferăstrău sabie		SSPE 1300 RX		SSPE 1500 X	
	220-240 V	110 V	220-240 V	110 V	220-240 V	110 V
Numerul producției .....	4405 91 01... ..000001-999999	4289 01 01... ..000001-999999	4291 46 01... ..000001-999999			
Putere nominală de ieșire .....	1300 W	1500 W	1500 W	1500 W		
Putere de ieșire .....	600 W	750 W	750 W	750 W		
Cursa în gol .....	0-3000 min <sup>-1</sup>	0-2800 min <sup>-1</sup>	0-2800 min <sup>-1</sup>	0-2800 min <sup>-1</sup>		
Lungimi de cursă .....	32 mm	32 mm	32 mm	32 mm		
Adâncimea max. de tăiere						
Lemn .....	300 mm	300 mm	300 mm	300 mm		
Țeavă metalică / Profile .....	250 mm	250 mm	250 mm	250 mm		
Greutatea conform „EPTA procedure 01/2003” .....	4,2 kg	4,0 kg	4,0 kg	4,0 kg		

#### Informație privind zgomotul/vibrațiile

Valori măsurate determinate conform EN 60 745.

Nivelul de zgomot evaluat cu A al aparatului este tipic de:

Nivelul presiunii sonore (K=3 dB(A)) .....

Nivelul sunetului (K=3 dB(A)) .....

#### Purtați căști de protecție

Valorile totale de oscilație (suma vectorială pe trei direcții) determinate conform normei EN 60745.

Valoarea emisiei de oscilații a<sub>n</sub>

Tăierea grinzilor de lemn .....

Nesiguranță K .....

Tăiere de plăci aglomerate .....

Nesiguranță K .....

#### AVERTISMENT

Gradul de oscilație indicat în prezentele instrucțiuni a fost măsurat în conformitate cu o procedură de măsurare normată prin norma EN 60745 și poate fi folosit pentru a compara unelte electrice între ele. El se pretează și pentru o evaluare provizorie a solicitării la oscilații.

Gradul de oscilație indicat reprezintă aplicațiile principale ale uneltelor electrice. În cazul în care însă uneltele electrice au fost folosite pentru alte aplicații, ori au fost folosite unelte de muncă diferite ori acestea nu au fost supuse unei suficiente inspecții de întreținere, gradul de oscilație poate fi diferit. Acest fapt poate duce la o creștere netă a solicitărilor la oscilații dealungul întregii perioade de lucru.

În scopul unei evaluări exacte a solicitării la oscilații, urmează să fie luate în considerare și perioadele de timp în care aparatul a fost oprit ori funcționează dar, în realitate, el nu este folosit în mod practic. Acest fapt poate duce la o reducere netă a solicitărilor la oscilații dealungul întregii perioade de lucru.

Stabilități măsurii de siguranță suplimentare în scopul protecției utilizatorului de efectele oscilațiilor, de exemplu: inspecție de întreținere a uneltelor electrice și a celor de muncă, păstrarea caldă a mâinilor, organizarea proceselor de muncă.

**⚠️ AVERTISMENT! Citiți toate avizele de siguranță și indicațiile, chiar și cele din borșura alăturată.**

Nerespectarea indicațiilor de avertizare și a instrucțiunilor poate provoca electrocutare, incendii și/ sau răni grave.

**Păstrați toate indicațiile de avertizare și instrucțiunile în vederea utilizărilor viitoare.**

**INSTRUCȚIUNI DE SECURITATE**

**Purtați aparatoare de urechi.** Expunerea la zgomot poate produce pierderea auzului.

**Țineți aparatul de mânerule izolate când executați lucrări la care scula tăietoare poate nimeri peste conductori electrici ascunși sau peste cablul propriu.** Contactul cu un conductor sub tensiune determină punerea sub tensiune a componentelor metalice ale mașinii și duce la electrocutare.

Aparatele utilizate în multe locații diferite inclusiv în aer liber trebuie conectate printr-un disjuncteur care previne comutarea.

**Purtați întotdeauna ochelari de protecție atunci când utilizați mașina.** Se recomandă purtarea mănușilor, a încălțămintei solide nealunecoase și sortului de protecție.

Rumegușul și spanul nu trebuie îndepărtate în timpul funcționării mașinii.

Întotdeauna scoateți steclarul din priză înainte de a efectua intervenții la mașină.

Conectați la rețea numai când mașina este oprită.

Păstrați cablul de alimentare la o distanță de aria de lucru a mașinii. Întotdeauna țineți cablul în spatele dvs.

**Praful care apare când se lucrează cu această sculă poate fi dăunător sănătății și prin urmare nu trebuie să atingă corpul.** Purtați o mască de protecție corespunzătoare împotriva prafului.

Nu folosiți lame de ferăstrău crăpate sau deformat.

Tăieri de adâncime fără efectuarea prealabilă a unei găuri sunt posibile cu materiale moi (lemn, materiale ușoare de construcție pentru pereți). Materialele mai dure (metale) trebuie întâi să fie perforate cu o gaură care corespunde dimensiunii lamei ferăstrăului.

Așezați întotdeauna papucul de ghidare pe piesa de lucru în timpul tăierii.

Când se lucrează pe pereți, tavan sau dușumea, aveți grijă să evitați cablurile electrice și țevile de gaz sau de apă.

În cazul folosirii mașinii în condiții extreme (de pildă la lucrări în mediu umed, la debitarea unor țevi în care se mai pot afla substanțe lichide), se va intercala, în mod obligatoriu, un întrerupător de protecție (FI) contra curenților vagabonzi. După declanșarea întrerupătorului de protecție FI, mașina trebuie trimisă la reparație.

**CONDIȚII DE UTILIZARE SPECIFICATE**

Acest ferăstrău taie lemn, materiale plastice și metale. El poate tăia linii drepte, curbe și efectua tăieturi interne. Taie țevi și poate tăia rasant la o suprafață.

Nu utilizați acest produs în alt mod decât cel stabilit pentru utilizare normală

**DECLARAȚIE DE CONFORMITATE**

Declarăm pe propria răspundere că produsul descris la "Date tehnice" este în concordanță cu toate prevederile legale relevante ale Directivei 2011/65/EU (RoHS), 2006/42/CE, 2004/108/CE și cu următoarele norme armonizate:

EN 60745-1:2009 + A11:2010

EN 60745-2-11:2010

EN 55014-1:2006 + A1:2009 + A2:2011

EN 55014-2:1997 + A1:2001 + A2:2008

EN 61000-3-2:2006 + A1:2009 + A2:2009

EN 61000-3-3:2008

Winnenden, 2013-08-07

Alexander Krug  
Managing Director



Împuternicit să elaboreze documentația tehnică.

Techtronic Industries GmbH  
Max-Eyth-Straße 10  
71364 Winnenden  
Germany

**ALIMENTARE DE LA REȚEA**

Conectați numai la priză de curent alternativ monofazat și numai la tensiunea specificată pe placuța indicatoare. Se permite conectarea și la prize fără împământare dacă modelul se conformează clasei II de securitate.

**INTREȚINERE**

Fantele de aerisire ale mașinii trebuie să fie menținute libere tot timpul

Utilizați numai accesorii și piese de schimb Milwaukee. Dacă unele din componente care nu au fost descrise trebuie înlocuite, vă rugăm contactați unul din agenții de service Milwaukee (vezi lista noastră pentru service / garanție)

Dacă este necesar, puteți solicita de la centrul dvs. de service pentru clienți sau direct la Techtronic Industries GmbH, Max-Eyth-Straße 10, 71364 Winnenden, Germania un desen descompus al aparatului prin indicarea tipului de aparat și a numărului cu șase cifre de pe tăblița indicatoare.

**SIMBOLURI**



Vă rugăm citiți cu atenție instrucțiunile înainte de pornirea mașinii



Întotdeauna scoateți stecherul din priză înainte de a efectua intervenții la mașină.



Accesoriu - Nu este inclus în echipamentul standard, disponibil ca accesoriu



Nu aruncați scule electrice în gunoiul menajer! Conform directivei europene nr. 2002/96/CE referitor la aparate electrice și electronice uzate precum și la transpunerea acesteia în drept național, sculele electrice trebuie colectate separat și introduse într-un circuit de reciclare ecologic.



Clasa de protecție II, scule electrice la care protecția împotriva curențării nu depinde numai de izolația de bază, ci la care se folosesc măsuri de protecție suplimentare precum izolația dublă sau izolația ranforsată.

ТЕХНИЧКИ ПОДАТОЦИ	Сабјеста пила	SSPE 1300 QX		SSPE 1300 SX	
		220-240 V	110 V	220-240 V	110 V
Производен број.....		3935 05 01.....	3935 10 01.....	4285 21 01.....	4291 06 01.....
		...00001-999999	...00001-999999	...00001-999999	...00001-999999
Определен внес .....		1300 W .....	1200 W .....	1300 W .....	1200 W .....
Излез.....		600 W .....	600 W .....	600 W .....	600 W .....
Ударен момент при не оптовареност (на слободно).....		0-3000 min <sup>-1</sup> .....	0-3000 min <sup>-1</sup> .....	0-3000 min <sup>-1</sup> .....	0-3000 min <sup>-1</sup> .....
Должина на удар .....		32 mm .....	32 mm .....	32 mm .....	32 mm .....
Максимална длабочина на сечење во:					
Дрво .....		300 mm .....	300 mm .....	300 mm .....	300 mm .....
Метална цевка/Делови .....		250 mm .....	250 mm .....	250 mm .....	250 mm .....
Тежина според ЕПТА-процедурата 01/2003 .....		4,2 kg .....	4,2 kg .....	3,9 kg .....	3,9 kg .....

#### Информација за бучавата/вибрациите

Измерените вредности се одредени согласно стандардот EN 60 745.

A-оценетото ниво на бучава на апаратот типично изнесува:

Ниво на јачина на звук .....	91 dB (A) .....	91 dB (A) .....	91 dB (A) .....	91 dB (A) .....
Ниво на звучен притисок .....	102 dB (A) .....	102 dB (A) .....	102 dB (A) .....	102 dB (A) .....

#### Носте штитник за уши.

Вкупни вибрациски вредности (векторски збир на трите насоки) пресметани согласно EN 60745.

Вибрациска емисиона вредност  $a_n$

Пилење на дрвени греди .....	14,5 m/s <sup>2</sup> .....	14,5 m/s <sup>2</sup> .....	14,5 m/s <sup>2</sup> .....	14,5 m/s <sup>2</sup> .....
Несигурност K .....	1,5 m/s <sup>2</sup> .....	1,5 m/s <sup>2</sup> .....	1,5 m/s <sup>2</sup> .....	1,5 m/s <sup>2</sup> .....
Сечење на честички одбор .....	22,5 m/s <sup>2</sup> .....	22,5 m/s <sup>2</sup> .....	22,5 m/s <sup>2</sup> .....	22,5 m/s <sup>2</sup> .....
Несигурност K .....	1,5 m/s <sup>2</sup> .....	1,5 m/s <sup>2</sup> .....	1,5 m/s <sup>2</sup> .....	1,5 m/s <sup>2</sup> .....

ТЕХНИЧКИ ПОДАТОЦИ	Сабјеста пила	SSPE 1300 RX		SSPE 1500 X	
		220-240 V	110 V	220-240 V	110 V
Производен број.....		4405 91 01.....	4289 01 01.....	4291 46 01.....	4291 46 01.....
		...00001-999999	...00001-999999	...00001-999999	...00001-999999
Определен внес .....		1300 W .....	1500 W .....	1500 W .....	1500 W .....
Излез.....		600 W .....	750 W .....	750 W .....	750 W .....
Ударен момент при не оптовареност (на слободно).....		0-3000 min <sup>-1</sup> .....	0-2800 min <sup>-1</sup> .....	0-2800 min <sup>-1</sup> .....	0-2800 min <sup>-1</sup> .....
Должина на удар .....		32 mm .....	32 mm .....	32 mm .....	32 mm .....
Максимална длабочина на сечење во:					
Дрво .....		300 mm .....	300 mm .....	300 mm .....	300 mm .....
Метална цевка/Делови .....		250 mm .....	250 mm .....	250 mm .....	250 mm .....
Тежина според ЕПТА-процедурата 01/2003 .....		4,2 kg .....	4,0 kg .....	4,0 kg .....	4,0 kg .....

#### Информација за бучавата/вибрациите

Измерените вредности се одредени согласно стандардот EN 60 745.

A-оценетото ниво на бучава на апаратот типично изнесува:

Ниво на јачина на звук .....	91 dB (A) .....	91 dB (A) .....	91 dB (A) .....
Ниво на звучен притисок .....	102 dB (A) .....	102 dB (A) .....	102 dB (A) .....

#### Носте штитник за уши.

Вкупни вибрациски вредности (векторски збир на трите насоки) пресметани согласно EN 60745.

Вибрациска емисиона вредност  $a_n$

Пилење на дрвени греди .....	14,5 m/s <sup>2</sup> .....	15,2 m/s <sup>2</sup> .....	15,2 m/s <sup>2</sup> .....
Несигурност K .....	1,5 m/s <sup>2</sup> .....	1,6 m/s <sup>2</sup> .....	1,6 m/s <sup>2</sup> .....
Сечење на честички одбор .....	22,5 m/s <sup>2</sup> .....	19,9 m/s <sup>2</sup> .....	19,9 m/s <sup>2</sup> .....
Несигурност K .....	1,5 m/s <sup>2</sup> .....	2,2 m/s <sup>2</sup> .....	2,2 m/s <sup>2</sup> .....

#### ПРЕДУПРЕДУВАЊЕ

Нивото на осцилација наведено во овие инструкции е измерено во согласност со мерните постапки нормирани во EN 60745 и може да биде употребено за меѓусебна споредба на електро-алати. Ова ниво може да се употреби и за привремена проценка на оптоварувањето на осцилацијата.

Наведеното ниво на осцилација ги репрезентира главните намени на електро-алатот. Но, доколку електро-алатот се употребува за други намени, со отстапувачки додатоци или со несоодветно одржување, нивото на осцилација може да отстапи. Тоа може значително да го зголеми оптоварувањето на осцилацијата за време на целиот работен период.

За прецизна проценка на оптоварувањето на осцилацијата предвид треба да бидат земени и времињата, во коишто апаратот е исклучен или работи, но фактички не се употребува. Тоа може значително да го намали оптоварувањето на осцилацијата за време на целиот работен период.

Утврдете дополнителни безбедносни мерки за заштита на операторот од влијанието на осцилациите, како на пример: одржување на електро-алатот и на додатоци кон електро-алатот, одржување топли раце, организација на работните процеси.

**⚠ ВНИМАНИЕ!** Прочитајте ги безбедносните напомени и упатства. Заборавање на почитувањето на безбедносните упатства и инструкции можат да предизвикаат електричен удар, пожар и/или тешки повреди. Сочувајте ги сите безбедносни упатства и инструкции за во иднина.

## УПАТСТВО ЗА УПОТРЕБА

**Носете штитник за уши.** Изложеноста на бука може да предизвика губење на слухот.

**Држете го електричниот алат за издадените површини при изведување на операции при кои алатот за сечење можат да дојдат во контакт со скриени жици или сопствениот гајтан.** Контакт со жица под напон исто така ќе направи проводници од металните делови и оној кој ракува со алатот ќе доживее струен удар.

Уредите кои се користат на многу различни локации вклучувајќи и отворен простор мора да бидат поврзани за струја преку направата за поврзување (FI, RCD, PRCD).

Секогаш носете ракавици кога ја користите машината. Исто така препорачливо е да се носат очила, цврсти чевки кои не се лигаат и престилка.

Прашината и струготините не смеат да се одстрануваат додека е машината работи.

Секогаш кога преземате активностите врз машината исклучете го кабелот од струјата.

Вклучувањето на кабелот во струја се прави исклучиво машината е исклучена.

Чувајте го кабелот за напојување подалеку од работната површина. Секогаш водете го кабелот позади вас.

Пршната која се создава при користење на овој алат може да биде штетна по здравјето. Не ја вдишувајте. Носете соодветна заштитна маска.

Не користете скршени или изобличени сечила.

Убодни резови без претходно дупчење се можни кај меки материјали (дрво, лесни градежни материјали за сидови). Кај поцврсти материјали (метали) мора првин да се направи дупка која ќе одговара на димензијата на пилата.

Секогаш при сечење поставете ја водилката врз работното парче.

Кога работите на сидови, таван или под внимавајте да ги избегнете електричните, гасните и водоводните инсталации.

При екстремни услови на употреба (на пр. работа во влажно опкружување, сечење цевки што би можеле да содржат течност) неизбежна е потребата од предвклучување на заштитен прекинувач за погрешна струја (FI). По активирање на FI-заштитниот прекинувач, машината мора да биде испратена на поправка.

## СПЕЦИФИЦИРАНИ УСЛОВИ НА УПОТРЕБА

Оваа сабјаста пила сече дрво пластика и метал. Може да сече прави линии, кривини и внатречни отсечоци. Сече цевки и може да сече паралелно со површината.

Не го користете овој производ на било кој друг начин освен пропишаниот за нормална употреба.

## ЕУ-ДЕКЛАРАЦИЈА ЗА СООБРАЗНОСТ

О своја сопствена одговорност изјавуваме дека под „Технички податоци, опишаниот производ е во склад со сите релевантни прописи од регулативата 2011/65/EU (RoHS), 2006/42/EC, 2004/108/EC и следните хармонизирачки нормативни документи:

EN 60745-1:2009 + A11:2010

EN 60745-2-11:2010

EN 55014-1:2006 + A1:2009 + A2:2011

EN 55014-2:1997 + A1:2001 + A2:2008

EN 61000-3-2:2006 + A1:2009 + A2:2009

EN 61000-3-3:2008

Winnenden, 2013-08-07



Alexander Krug  
Managing Director



Ополномотен за составување на техничката документација.

Techtronic Industries GmbH  
Max-Eyth-Straße 10  
71364 Winnenden  
Germany

## ГЛАВНИ ВРСКИ

Да се спои само за една фаза AC коло и само на главниот напон наведен на плочката. Можно е исто така и поврзување на приклучок без заземјување доколку изведбата соодветствува на безбедност од 2 класа.

## ОДРЖУВАЊЕ

Вентилациските отвори на машината мора да бидат комплетно отворени постојано.

Користете само Milwaukee додатоци и резервни делови. Доколку некои од компонентите кои не се опишани треба да бидат заменети, Ве молиме контактирајте ги сервисните агенти на Milwaukee (консултирајте ја листата на адреси).

При потреба може да се побара експлозионен цртеж на апаратот со наведување на машинскиот тип и шестоцифрениот број на табличката со учинокот или во Вашата корисничка служба или директно кај Techtronic Industries GmbH, Max-Eyth-Straße 10, 71364 Winnenden, Германија.

## СИМБОЛИ



Ве молиме пред да ја стартувате машината обрнете внимание на упатствата за употреба.



Секогаш пред спроведување на каков и да е зафат врз машината исклучете го кабелот од приклучокот.



Дополнителна опрема - Не е вклучена во стандардната, а достапна е како додаток.



Не ги фрлајте електричните апарати заедно со другиот домашен отпад! Европска регулатива 2002/96/EC за одлагање на електрична и електронска опрема и се применува согласно националните закони. Електричните апарати кои го достигнале крајот на својот животен век мора да бидат одвоено собрани и вратени во соодветна рециклажна установа.



Заштитна класа II, електро-орудие, кај кое што заштитата од електричен удар не зависи само од базичната изолација туку каде што се применуваат и од дополнителни безбедносни мерки, како што е дуплата изолација или засилената изолација.

技术数据

马刀锯

	SSPE 1300 QX		SSPE 1300 SX	
	220-240 V	110 V	220-240 V	110 V
生产号.....	3935 05 01... ..000001-999999	3935 10 01... ..000001-999999	4285 21 01... ..000001-999999	4291 06 01... ..000001-999999
输入功率.....	1300 W	1200 W	1300 W	1200 W
输出功率.....	600 W	600 W	600 W	600 W
无负载跳跃次数.....	0-3000 min <sup>-1</sup>	0-3000 min <sup>-1</sup>	0-3000 min <sup>-1</sup>	0-3000 min <sup>-1</sup>
跳跃高度.....	32 mm	32 mm	32 mm	32 mm
最大切深在:				
木材.....	300 mm	300 mm	300 mm	300 mm
金属管/型材.....	250 mm	250 mm	250 mm	250 mm
重量符合EPTA—Procedure01/2003.....	4,2 kg	4,2 kg	3,9 kg	3,9 kg

噪音/振动信息

本测量值符合 EN 60 745 条文的规定。

器械的标准A-值噪音级为:

音压值 (K=3dB(A)).....	91 dB (A)	91 dB (A)	91 dB (A)	91 dB (A)
音量值 (K=3dB(A)).....	102 dB (A)	102 dB (A)	102 dB (A)	102 dB (A)

请戴上护耳罩!

依欧盟EN 60745 标准确定的振荡总值 (三方向矢量和)。

ah-振荡发射值	SSPE 1300 QX		SSPE 1300 SX	
	220-240 V	110 V	220-240 V	110 V
锯开木梁.....	14,5 m/s <sup>2</sup>	14,5 m/s <sup>2</sup>	14,5 m/s <sup>2</sup>	14,5 m/s <sup>2</sup>
K-不可靠性.....	1,5 m/s <sup>2</sup>	1,5 m/s <sup>2</sup>	1,5 m/s <sup>2</sup>	1,5 m/s <sup>2</sup>
切割刨花板.....	22,5 m/s <sup>2</sup>	22,5 m/s <sup>2</sup>	22,5 m/s <sup>2</sup>	22,5 m/s <sup>2</sup>
K-不可靠性.....	1,5 m/s <sup>2</sup>	1,5 m/s <sup>2</sup>	1,5 m/s <sup>2</sup>	1,5 m/s <sup>2</sup>

技术数据

马刀锯

	SSPE 1300 RX		SSPE 1500 X	
	220-240 V	110 V	220-240 V	110 V
生产号.....	4405 91 01... ..000001-999999	4289 01 01... ..000001-999999	4291 46 01... ..000001-999999	
输入功率.....	1300 W	1500 W	1500 W	
输出功率.....	600 W	750 W	750 W	
无负载跳跃次数.....	0-3000 min <sup>-1</sup>	0-2800 min <sup>-1</sup>	0-2800 min <sup>-1</sup>	
跳跃高度.....	32 mm	32 mm	32 mm	
最大切深在:				
木材.....	300 mm	300 mm	300 mm	
金属管/型材.....	250 mm	250 mm	250 mm	
重量符合EPTA—Procedure01/2003.....	4,2 kg	4,0 kg	4,0 kg	

噪音/振动信息

本测量值符合 EN 60 745 条文的规定。

器械的标准A-值噪音级为:

音压值 (K=3dB(A)).....	91 dB (A)	91 dB (A)	91 dB (A)
音量值 (K=3dB(A)).....	102 dB (A)	102 dB (A)	102 dB (A)

请戴上护耳罩!

依欧盟EN 60745 标准确定的振荡总值 (三方向矢量和)。

ah-振荡发射值	SSPE 1300 RX		SSPE 1500 X	
	220-240 V	110 V	220-240 V	110 V
锯开木梁.....	14,5 m/s <sup>2</sup>	15,2 m/s <sup>2</sup>	15,2 m/s <sup>2</sup>	
K-不可靠性.....	1,5 m/s <sup>2</sup>	1,6 m/s <sup>2</sup>	1,6 m/s <sup>2</sup>	
切割刨花板.....	22,5 m/s <sup>2</sup>	19,9 m/s <sup>2</sup>	19,9 m/s <sup>2</sup>	
K-不可靠性.....	1,5 m/s <sup>2</sup>	2,2 m/s <sup>2</sup>	2,2 m/s <sup>2</sup>	

注意

本规程列出的依欧盟EN 60745 标准一项标准测量方法测量的振荡级也可用于电动工具比较并适合于临时振荡负荷估计。该振荡级代表电动工具的主要应用。电动工具的其他应用, 不正确的工作工具或欠缺维护可造成振荡级偏差。此可明显提高总工作期间的振荡负荷。

正确地估计一定工作期间的振荡负荷也要考虑到工具关闭或接通而不使用的期间。此可明确减少总工作期间的振荡负荷。

为提高操作人员对振荡作用的保护得规定补充安全措施: 电动工具及工作工具的维护, 温手, 工作过程组织等。

**⚠ 警告！** 务必阅读所有安全提示和指示。如未确实 遵循警告提示和指示，可能导致电击、火灾并且/ 或其他的严重伤害。

妥善保存所有的警告提示和指示，以便日后查阅。

### 特殊安全指示

请戴上耳罩。工作噪音会损坏听力。

切割工具会碰到隐藏电线或自己的电缆时，得将器械握住于其绝缘把手表面。锯片接触了带电的电线，会把电导向其它金属部位，并引起电击。

户外插座必须连接剩余电流防护开关。这是使用电器用品的基本规定。使用本公司机器时，务必遵守这项规定。

操作机器时务必佩戴护目镜。最好也穿戴工作手套、坚固防滑的鞋具和工作围裙。

如果机器仍在运转，切勿清除其上的木屑或金属碎片。

在机器上进行任何修护工作之前，务必从插座上拔出插头。

确定机器已经关闭了才可以插上插头。

电源线必须远离机器的作业范围。操作机器时电线必须摆在机身后端。

工作尘往往有害健康，不可以让工作尘接触身体。工作时请佩戴合适的防尘面具。

不可以使用有裂痕或已经变形的锯刀。也不可以使用 HSS（高功率快速切割钢）锯刀片。

潜锯专用电锯只能锯割软的材料（例如木材和用来砌墙的轻建材）。如果使用本机器锯割硬的材料（例如钢铁），必须先在工作件上钻一个和锯片宽度相当的孔。

锯割时一定要把导引架靠在工件上。

在墙壁、天花板或地板工作时，必须特别注意被隐埋的电线、瓦斯管和水管。

在极端工作条件下（高湿工作环境、有残余液体管道的切割等）务必预接故障电流（FI）保护开关。FI - 保护开关动作后，得将机械送到修理厂。

### 正确地使用机器

本马刀锯可以用来锯木材、塑料和金属。它可进行直线割锯、曲线割锯并且也能够挖槽。也可以使用本机器锯割管子，锯缘整齐不起毛边。

请依照本说明书的指示使用此机器。

### 电源插头

只能连接单相交流电，只能连接机器铭牌上规定的电压。本机器也可以连接在没有接地装置的插座上，因为本机器的结构符合第II级绝缘。

### 维修

机器的通气孔必须随时保持清洁。

只能使用 Milwaukee 的配件和 Milwaukee 的零件。缺少检修说明的机件如果损坏了，必须交给 Milwaukee 的顾客服务中心更换（参考手册“保证书/顾客服务中心地址”）。

如果需要机器的分解图，可以向您的顾客服务中心或直接向 Techtronic Industries GmbH, Max-Eyth-Straße 10, 71364 Winnenden, Germany 联络。案件时必须提供以下资料：机型和机器铭牌上的六位数码。

### 符号



使用本机器之前请详细阅读使用



在机器上进行任何修护工作之前，务必从插座上拔出插头。



配件 - 不包含在供货范围中。请另外从配件目录选购。



不可以把损坏的电动工具丢弃在家庭垃圾中！根据被欧盟各国引用的有关旧电子机器的欧洲法规2002/96/EG，必须另外收集旧电子机器，并以符合环保规定的方式回收再利用。



保护等级II，具有不只依赖于基本绝缘，但依赖于双重或强化绝缘等保护措施电击保护的电动工具。

Copyright 2012  
Techtronic Industries GmbH  
Max-Eyth-Straße 10  
71364 Winnenden  
Germany  
+49 (0) 7195-12-0

**58-13-4075d5**



(08.13)

**4931 4143 10**