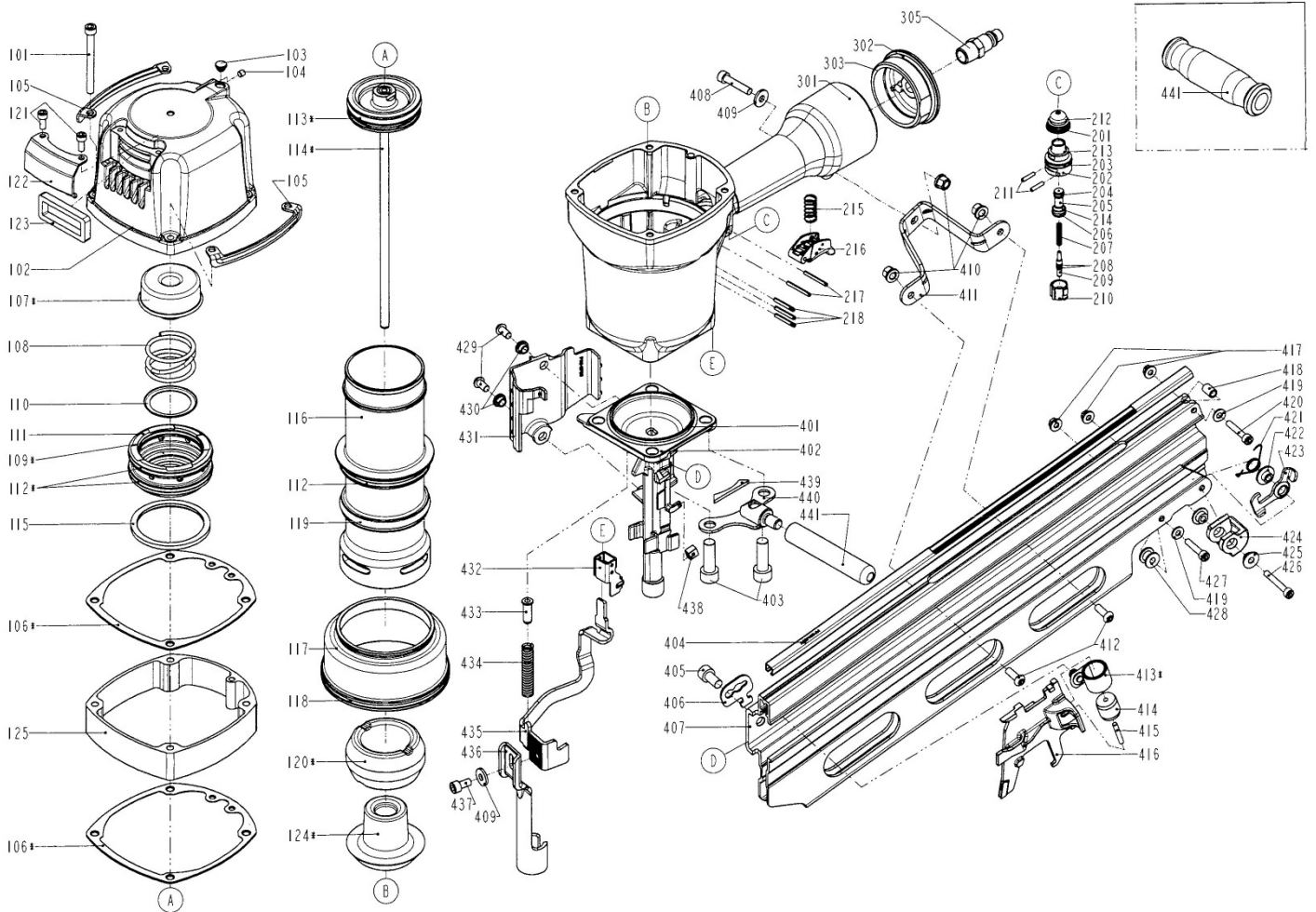


# DIAGRAM OF SN22-130C



ITEM NO.	PART NO.	DESCRIPTION	ITEM NO.	PART NO.	DESCRIPTION	ITEM NO.	PART NO.	DESCRIPTION
101	2040101-04161-2	HEX.SOC.HD.BOLT	209	11375-0860002-1	PLUNGER	420	2040101-03210-0	HEX.SOC.HD.BOLT
102	11369-1031301-1	CAP	210	11373-0860001-1	TRIGGER VALVE HEAD	421	1132F-0374701-1	LATCH SPRING
103	1135S-0350001-1	GROMMET	211	11329-0860001-1	PIN	422	11381-0374701-1	WASHER
104	2040104-03010-0	HEX.SOC.HD.SCREW	212	1137A-0860001-1	COVER-PLUNGER	423	11343-0374702-1	LATCH
105	11397-1034701-1	GUIDE COVER	213	2041104-02070-0	O - RING	424	1134W-1374701-1	FEED BUMPER
106	11302-1034701-1	CYLINDER CAP SEAL	214	2041100-01050-0	O - RING	425	113BF-1374701-1	FEED BUMPER SPACER RING
107	11370-1030001-1	SEAL	215	11376-0370001-1	SPRING	426	2040101-03200-0	HEX.SOC.HD.BOLT
108	11360-1030001-2	COMPRESSION SPRING	216	11224-1111101-1	TRIGGER UNIT	427	2040101-03110-0	HEX.SOC.HD.BOLT
109	2041108-06050-0	O - RING	217	2040401-05150-0	SPIRAL PINS	428	1133V-1374701-1	MAGAZINE SPACER
110	11381-1030001-1	WASHER	218	2040401-05120-0	SPIRAL PINS	429	2040102-04010-2	HALF ROUND HD.HEX.BOLT
111	11368-1030001-1	HD.VALVE PISTON	301	11230-145H801-1	GUN BODY UNIT	430	1136L-1374701-1	PROTECTIVE INSERT
112	2041108-07050-0	O - RING	302	2041101-05020-0	O - RING	431	1134R-1374701-1	SPRING COVER
113	2041100-06011-0	O - RING	303	11346-0861302-1	END CAP	432	11338-0864701-2	SAFETY GUIDE
114	11204-1370001-1	DRIVER UNIT	305	1135V-0000005-1	AIR PLUG	433	11395-1374701-1	SAFETY ROD
115	11399-1030001-1	COLLAR	401	2041104-08020-0	O - RING	434	11337-1374701-1	SAFETY SPRING
116	11320-1370001-1	CYLINDER	402	11382-1374701-1	NOSE PIECE	435	11332-1374701-1	SAFETY B
117	11321-1370001-1	CYLINDER SPACER	403	2040101-06010-2	HEX.SOC.HD.BOLT	436	11331-1374701-1	SAFETY A
118	2041104-11010-0	O - RING	404	11396-1374701-1	STEEL CHANNEL	437	2040101-04020-0	HEX.SOC.HD.BOLT
119	2041108-07060-0	O - RING	405	2040101-05010-2	HEX.SOC.HD.BOLT	438	1134W-0374701-1	FEED BUMPER
120	11327-1034702-1	BUMPER-A	406	1135B-1374701-1	GUIDE	439	1135G-1114701-1	RUBBER PAD
121	2040101-03050-9	HEX.SOC.HD.BOLT	407	11389-1374701-1	MAGAZINE A	440	1120K-1034701-1	SECOND HANDLE BASE UNIT
122	11371-1034701-1	DEFLECTOR	408	2040101-04110-0	HEX.SOC.HD.BOLT	441	11215-1374701-2	HANDLE
123	1132T-1030001-1	MUFFLER	409	2040202-04010-0	FLAT WASHER	441	1137K-1030001-2	HANDLE
124	11327-1034703-1	BUMPER-B	410	2040501-04010-0	BOLT CAP			
125	1130E-1111301-1	CAP	411	11323-1374701-1	POSITIONING SHEET			
201	2041104-02060-0	O - RING	412	2040102-04060-0	HALF ROUND HD.HEX.BOLT			
202	11374-0860001-1	PLUNGER CAP	413	11278-1370001-1	SPRING UNIT			
203	2041100-02050-0	O - RING	414	11386-0370001-1	ROLLING ELEMENT			
204	2041100-01070-0	O - RING	415	2040403-07120-0	PIN			
205	1133S-0860001-1	VALVE PLUNGER	416	11363-1374701-2	PUSHER			
206	2041100-01030-0	O - RING	417	2040501-03040-0	BOLT CAP			
207	11376-0860001-1	SPRING	418	11398-1374701-1	LATCH SPRING BUSHING			
208	2041108-01020-0	O - RING	419	2040201-03040-0	FLAT WASHER			